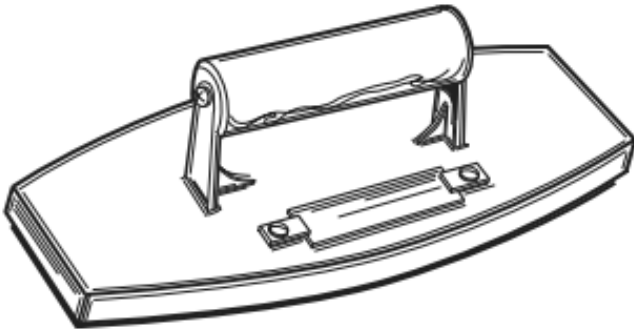




CUSTOM CONCRETE NAME AND DATE STAMP

- The perfect way to mark concrete for permanent identification
- Made from high grade bronze
- Stamp is 9-7/8"x5" oval with flat ends
- Shipping weight is 5 lbs.



Allow approximately 2-3 weeks lead time

Return this form to your nearest
Kraft Tool distributor, or fax, scan, or email
directly to Kraft Tool Co.®

Kraft Tool Co.®

8325 Hedge Lane Terrace
Shawnee, KS 66227, USA
Call 913-422-4848 • Fax 913-422-1018
Email: Sales@KraftTool.com
www.KraftTool.com

- Stamp has 16 spaces per line with 3 lines available to use and will be made exactly as you print below. Fill out the form below exactly as you would like your stamp. Each character requires one space. Leave a space between words or group of numbers as desired.
- Logos are not adaptable to this name stamp.
- The 2-1/2" long date insert (year only) is optional and placed between line 2 and line 3, clipped to the back of the stamp for easy change from year to year.
- Available characters include letters A through Z (upper case only); numbers 0 through 9; and specific symbols (comma, period, dash, slash, apostrophe, hyphen, colon, semi-colon and ampersand).
- Characters are 1/2" tall, imprinting approximately 3/16" deep. Center characters per line or start flush on left side. Lines 1 and 3 are curved as shown below, while Line 2 is straight. Overall stamp is 9-7/8"x5".

*PLEASE PRINT

20

Order Number _____