

PARTS LIST

Ref.	Item #	Item #	Item #	Item #	Description	Ref.	Item #	Item #	Item #	Item #	Description	
MH50KR MH75KTR MH125KTR MH175KTR MH210KTR						MH50KR MH75KTR MH125KTR MH175KTR MH210KTR						
1	21036	21036	21036	21036	21036	29	21866	21866	21867	21867	Flame Control Ass'y	
2	26958	26970	26974	27112	27112	30	21816	21816	21816	21816	Flame Control Bracket	
3	****	21883	21884	21885	21886	31	F226865	F226865	F226865	F226865	cad cell Flame Sensor	
4	26960	26967	26975	26975	26975	32	21882	21868	21869	21870	21871	Comb.Chamber Cyl.Ass'y
5	21686	24343	24346	24346	24346	33	26959	26959	26959	26959	26959	Fuel Cap
6	21835	21836	21837	21837	21837	34	26910	26910	26910	26910	26910	Fuel Cap Gasket
7	24011	24011	24011	24011	24011	35	27339	21817	21818	21818	21818	Motor
8	28779	28779	28792	28793	28793	36	27790	27790	28739	28739	28739	Nozzle Adapter
9	23449	23449	23449	23449	23449	37	27421	28740	26885	26866	26866	Fan
10	26957	27144	26973	27111	27111	38	22142	22142	22142	22142	22142	Igniter Assembly
11	26956	27143	26972	27110	27110	39	F227416	F221878	F221879	F221889	F221891	Fuel Air Aspir. Nozzle
12	26955	26966	26971	27109	27109	40	26223	26223	26223	26223	26223	Strain Relief Bushing
13	21864	21864	21865	21865	21865	41	F221857	F221857	F221857	F221857	F221857	Electrode Assembly
14	****	28788	28735	28735	28735	42	21820	21820	21820	21820	21820	Electrode Insulated Cover
15	23725	23725	24345	24345	24345	43	21821	21821	21821	21821	21821	Hose Barb Adapter
16	26225	26225	26225	26225	26225	44	****	21822	21822	21822	21822	Thermostat Knob
17	26962	21794	26901	22105	22105	45	****	21734	21734	21734	21734	Thermostat Assembly
18	F226831	F226831	F226831	F226831	F226831	46	28785	28785	28785	28785	28785	ON/OFF Switch
						47	****	28791	28778	22185	22185	Fuel Gauge
19	****	26898	26898	26898	26898	48	26964	21888	27107	27116	27116	Control Panel
20	****	22104	22104	22104	22104	49	26965	26968	27108	27117	27117	Control Panel Back
21	26833	26833	26833	26833	26833	50	28786	28786	28786	28786	28786	Pressure Gauge, Round
22	21810	21810	21810	21810	21810	51	27925	27095	****	****	****	Handle
23	21812	21812	21812	21812	21812	52	21813	21813	21813	21813	21813	Gasket, Outlet Filter
24	****	****	22257	22257	22257	*	24171	24171	****	****	****	Nozzle mtg. plate
25	F221887	F221887	F221887	F221887	F221887	*			26227	26227	26227	Snap Bushing
26	21814	21814	21814	21814	21814	*	27429	27429	27429	27429	27429	Nozzle Ext. Retaining Ring
27	21815	21815	21815	21815	21815	*	28745	28745	****	****	****	Fuel Line Bushing
28	F266842	F266842	F266842	F266842	F266842	*	****	22146	22146	22146	22146	Bracket Thermostat Mtg.
						*	****	26070	26070	26070	26070	Clamp Loop
						*	Not shown in the drawing					

PARTS LIST

Ref.	Item #	Item #	Item #	Description
MH125KTR MH175KTR MH210KTR				
1	22169	22169	22169	Wheel Assembly, 10"
2	27127	27129	27129	Upper Handle w/Spring Clips
*	27121	27121	27121	Lower Handle, Right
3	22173	22173	22173	Lower Handle, Left
*	27105	27105	27105	Leg Support, Right
4	27105	27105	27105	Leg Support, Left
5	27104	27132	27133	Support Leg
6	27128	27130	27131	Front Handle
7	28749	28749	28749	Large Retainer Washer
8	28750	28750	28750	Colter Pin
9	28751	28751	28751	Hub Cap
10	28754	28754	28754	Extension Cord Caddy
11	21897	21897	21897	Wheel Spacer
12	22168	22184	22184	Axel
*	28787	28787	28787	Hardware Package

* Not shown in drawing

Handle and wheel assembly for MH125KTR, MH175KTR & MH210KTR only.

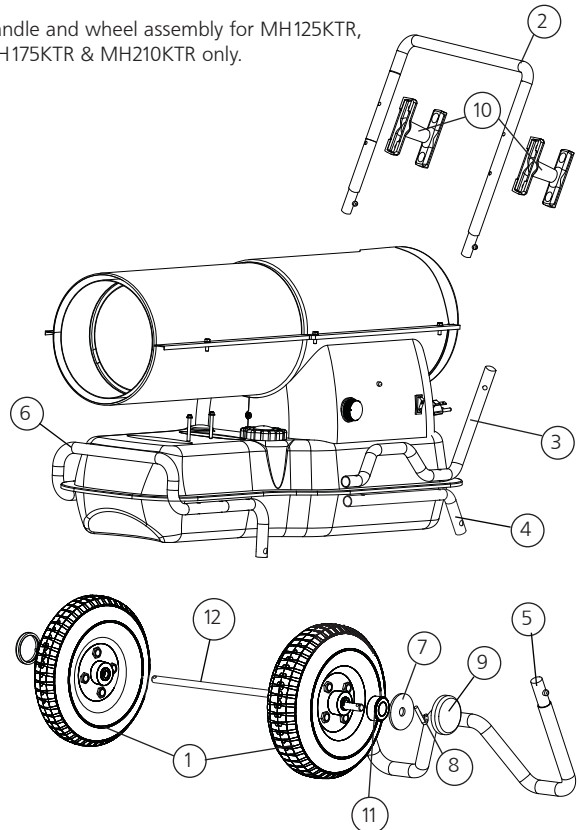


Figure 1.

Kerosene Forced Air Heater • Model MH50KR, MH75KTR, MH125KTR, MH175KTR, MH210KTR

