



Husqvarna®



Operator's manual
Manuel d'utilisation
Manual de instrucciones
Soff-Cut 150
Soff-Cut 150 D



US CA ES

Please read the operator's manual carefully and make sure you understand the instructions before using the machine.

Lire attentivement et bien assimiler le manuel d'utilisation avant d'utiliser la machine.

Lea detenidamente el manual de instrucciones y asegúrese de entender su contenido antes de utilizar la máquina.

KEY TO SYMBOLS

Symbols on the machine

WARNING! The machine can be a dangerous tool if used incorrectly or carelessly, which can cause serious or fatal injury to the operator or others.



Please read the operator's manual carefully and make sure you understand the instructions before using the machine.



Keep all parts of your body away from hot surfaces.



Engine exhaust fumes contain carbon monoxide, which can cause carbon monoxide poisoning. For this reason you should not start or run the machine indoors, or anywhere that is poorly ventilated.



Always stop the engine and let it cool for a few minutes before refueling.



Fire, open flame and smoking are prohibited.



On (Run)



Off (Stop)



Engine oil



Too low oil level. Fill with engine oil to the correct level.

Other symbols/decals on the machine refer to special certification requirements for certain markets.

NOTICE! CALIFORNIA AIR RESOURCES BOARD (CARB): This machine is considered a preempt Off-Road Applicatoin as relating to CARB standards. The U.S. EPA has sole authority to establish emission standards for preempt construction equipment. For more information see www.arb.ca.gov/msprog/offroad/preempt.htm

WARNING

The engine exhaust from this product contains chemicals known to the State of California to cause cancer, birth defects or other reproductive harm.

Explanation of warning levels

The warnings are graded in three levels.

WARNING!



WARNING! Used if there is a risk of serious injury or death for the operator or damage to the surroundings if the instructions in the manual are not followed.

CAUTION!



CAUTION! Used if there is a risk of injury to the operator or damage to the surroundings if the instructions in the manual are not followed.

NOTICE!



NOTICE! Used if there is a risk of damage to materials or the machine if the instructions in the manual are not followed.

Note the following before starting:



WARNING! Cutting, especially when DRY cutting, generates dust that comes from the material being cut, which frequently contains silica. Silica is a basic component of sand, quartz, brick clay, granite and numerous other minerals and rocks. Exposure to excessive amount of such dust can cause:

Respiratory disease (affecting your ability to breath), including chronic bronchitis, silicosis and pulmonary fibrosis from exposure to silica. These diseases may be fatal;

Skin irritation and rash.

Cancer according to NTP* and IARC* */ National Toxicology Program, International Agency for Research on Cancer

Take precautionary steps:

Avoid inhalation of and skin contact with dust, mist and fumes.

Wear and ensure that all bystanders wear appropriate respiratory protection such as dust masks designed to filter out microscopic particles. (See OSHA 29 CFR Part 1910.1200)

Wet cut when feasible, to minimize dust.

CONTENTS

Contents

KEY TO SYMBOLS

Symbols on the machine	2
Explanation of warning levels	2

CONTENTS

Contents	3
----------------	---

PRESENTATION

Dear customer!	4
Design and features	4
Features	4

PRESENTATION

What is what on the machine?	6
------------------------------------	---

PRESENTATION

What is what on the machine?	7
------------------------------------	---

MACHINE'S SAFETY EQUIPMENT

General	8
---------------	---

DIAMOND BLADES

General	10
Soff-Cut 150	10
Soff-Cut 150 D	10
Transport and storage	10

ASSEMBLING AND ADJUSTMENTS

General	11
Unpacking	11
Fit the blade	11
Replacing guide wheels	12
Blade depth adjustment	12
Pre operational checks	13
Transport	13

FUEL HANDLING

General	14
Fuel	14
Fueling	14
Disposal	14
Transport and storage	14

OPERATING

Protective equipment	15
General safety precautions	15
Work safety	16
Transport and storage	17
Starting and stopping	17

MAINTENANCE

General	19
Maintenance schedule	19
Cleaning	19
Check	20
Change	21
Additional engine information	21

TROUBLESHOOTING

Troubleshooting schedule	22
--------------------------------	----

TECHNICAL DATA

Technical data	24
----------------------	----

PRESENTATION

Dear customer!

Thank you for choosing a Husqvarna product!

It is our wish that you will be satisfied with your product and that it will be your companion for a long time. A purchase of one of our products gives you access to professional help with repairs and services. If the retailer who sells your machine is not one of our authorised dealers, ask him for the address of your nearest service workshop.

This operator's manual is a valuable document. Make sure it is always at hand at the work place. By following its content (operating, service, maintenance etc.) the life span and the second-hand value of the machine can be extended. If you ever lend or sell this machine, make sure that the borrower or buyer gets the operator's manual, so they will also know how to properly maintain and use it.

More than 300 years of innovation

Husqvarna AB is a Swedish company based on a tradition that dates back to 1689, when the Swedish King Karl XI ordered the construction of a factory for production of muskets. At that time, the foundation was already laid for the engineering skills behind the development of some of the world's leading products in areas such as hunting weapons, bicycles, motorcycles, domestic appliances, sewing machines and outdoor products.

Husqvarna is the global leader in outdoor power products for forestry, park maintenance and lawn and garden care, as well as cutting equipment and diamond tools for the construction and stone industries.

Owner responsibility

It is the owner's/employer's responsibility that the operator has sufficient knowledge about how to use the machine safely. Supervisors and operators must have read and understood the Operator's Manual. They must be aware of:

- The machine's safety instructions.
- The machine's range of applications and limitations.
- How the machine is to be used and maintained.

Local regulations could restrict the use of this machine. Find out what regulations are applicable where you work before you start using the machine.

The manufacturer's reservation

Subsequent to publishing this manual Husqvarna may issue additional information for safe operation of this product. It is the owner's obligation to keep up with the safest methods of operation.

Husqvarna AB has a policy of continuous product development and therefore reserves the right to modify the design and appearance of products without prior notice.

For customer information and assistance, contact us at our website: www.husqvarna.com

Design and features

Values such as high performance, reliability, innovative technology, advanced technical solutions and environmental considerations distinguish Husqvarna's products. Safe

operation of this product requires the operator to read this manual carefully. Ask your dealer or Husqvarna should you need more information.

Some of the unique features of your product are described below.

Features

Values such as high performance, reliability, innovative technology, advanced technical solutions and environmental considerations distinguish Husqvarna's products.

Some of the unique features of your product are described below.

Soff-Cut 150

Early Entry dry cutting system

The patented Soff-Cut Ultra Early Entry dry cutting system controls random cracking of concrete through the early timing of the saw cutting usually within one to two hours after the finishing process is completed.

Low noise and low dust blade block enclosure

The patented low noise and low dust blade block and skid plate technology in conjunction with Husqvarna Excel blades allows for Ultra Early Entry sawing the same day while minimizing chipping and spalling.

Low vibration Robin engine

Low vibration 3.2 kW Robin engine with cyclone air filter and an oil alert system that will stop the engine if the oil level is low. Easy to pull-start.

Additional features

- Manual push style with manual controls for all functions.
- Mechanical blade depth control.
- Non-marking and non-stick polyurethane wheels.
- High strength single piece frame.
- Folding handle.
- Distinctive roll cage style framework.
- Patented safety arbor.
- Retractable front guide system.

Soff-Cut 150 D

Decorative cutting saw

The saw is designed to be an economical and durable light commercial decorative concrete cutting saw. It is recommended for light to medium duty usage on decorative cuts, driveways and parking lots.

ProEdge series blades

The ProEdge Line is designed for architectural scoring to replace labor-intensive hand tooling ideal for residential and commercial applications.

The blades are used to chase standard joints and turns ragged, chipped or raveled saw joints into beautifully beveled or radius edges.

PRESENTATION

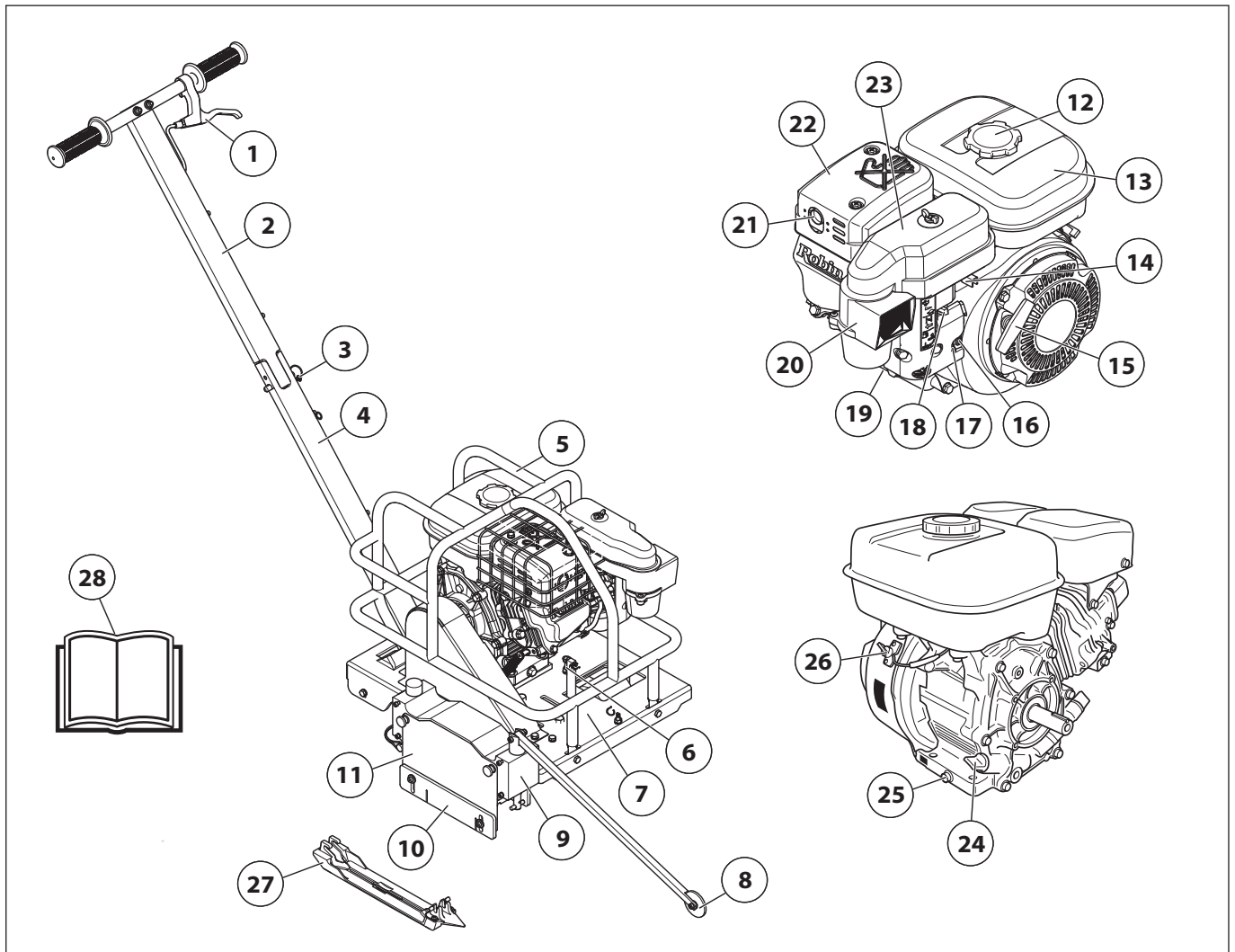
Low vibration Robin engine

Low vibration 3.2 kW Robin engine with cyclone air filter and an oil alert system that will stop the engine if the oil level is low. Easy to pull-start.

Additional features

- Manual push style with manual controls for all functions.
- Mechanical blade depth control.
- Non-marking and non-stick polyurethane wheels.
- High strength single piece frame.
- Folding handle.
- Distinctive roll cage style framework.
- Patented safety arbor.

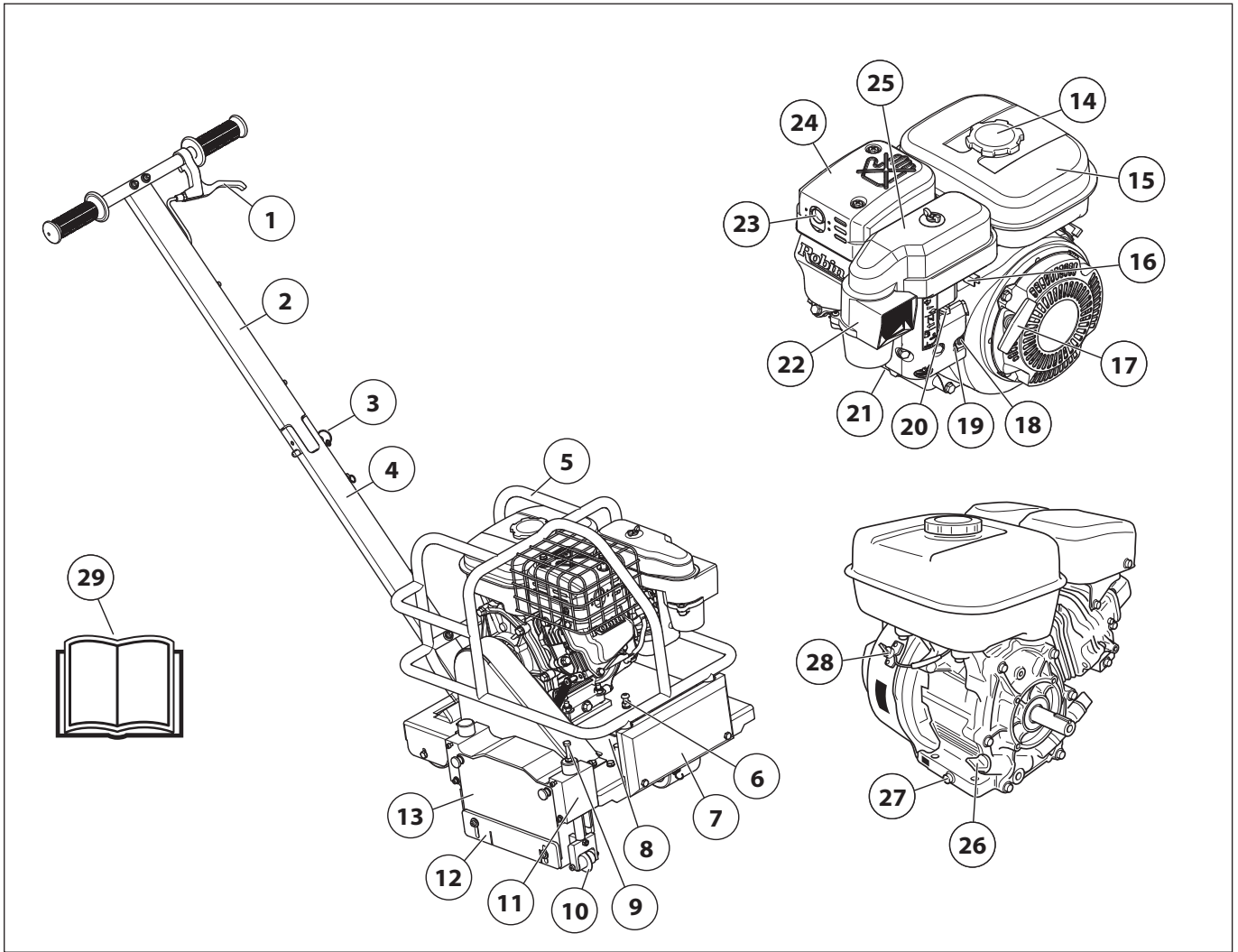
PRESENTATION



What is what on the machine? (Soff-Cut 150)

- | | |
|-------------------------|--|
| 1 Blade release lever | 15 Starter handle |
| 2 Upper handle | 16 Fuel valve |
| 3 Locking pin, handle | 17 Fuel cup |
| 4 Lower handle | 18 Choke control |
| 5 Roll cage | 19 Carburetor |
| 6 Depth stop adjustment | 20 Cyclonic pre-cleaner |
| 7 Saw frame | 21 Exhaust outlet |
| 8 Front guide | 22 Muffler cover |
| 9 Blade block | 23 Muffler cover |
| 10 Lexan cover | 24 Dipstick/oil filler |
| 11 Blade block guard | 25 Drain plug |
| 12 Fuel tank filler cap | 26 ON/OFF switch |
| 13 Fuel tank | 27 Skid plate (Not included in the box). |
| 14 Throttle trigger | 28 Operator's manual |

PRESENTATION



What is what on the machine? (Soff-Cut 150 D)

- | | | | |
|----|-------------------------|----|----------------------|
| 1 | Blade release lever | 16 | Throttle trigger |
| 2 | Upper handle | 17 | Starter handle |
| 3 | Locking pin, handle | 18 | Fuel valve |
| 4 | Lower handle | 19 | Fuel cup |
| 5 | Roll cage | 20 | Choke control |
| 6 | Depth stop adjustment | 21 | Carburetor |
| 7 | Counter weight | 22 | Cyclonic pre-cleaner |
| 8 | Saw frame | 23 | Exhaust outlet |
| 9 | Plunge adjustment screw | 24 | Muffler cover |
| 10 | Front guide wheel | 25 | Muffler cover |
| 11 | Blade block | 26 | Dipstick/oil filler |
| 12 | Lexan cover | 27 | Drain plug |
| 13 | Blade block guard | 28 | ON/OFF switch |
| 14 | Fuel tank filler cap | 29 | Operator's manual |
| 15 | Fuel tank | | |

MACHINE'S SAFETY EQUIPMENT

General

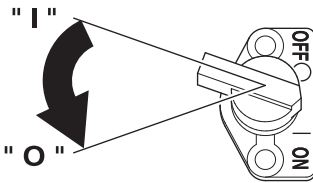


WARNING! Never use a machine that has faulty safety equipment! If your machine fails any checks contact your service agent to get it repaired. The engine should be switched off during operations described in this chapter unless otherwise stated.

This section describes the machine's safety equipment, its purpose, and how checks and maintenance should be carried out to ensure that it operates correctly.

ON/OFF switch

The ON/OFF switch is used to turn the engine on and off.

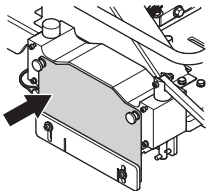


Checking the ON/OFF switch

- Turn the switch to the 'ON' ('I' position) to start the engine. The blade starts to rotate when the engine is turned on.
- Turn the switch to the 'OFF' ('O' position). Check that the engine stops.

Blade block guard

The blade block protects the operator from the rotating blade and controls dust.

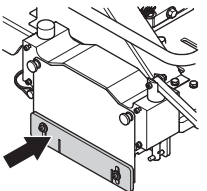


Checking the blade block guard

- Check that the guard is undamaged and not cracked. Replace the guard if it has been exposed to impact or is cracked.
- A damaged blade block assembly must be replaced to protect the operator.
- Always check that the guard is correctly fitted before starting the machine.

Lexan cover

- The lexan cover primarily controls dust, but also aids to deflect particle ejection.

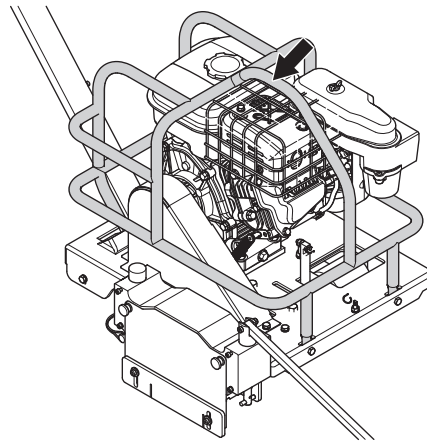


Checking the lexan cover

- Check that the guard is undamaged and not cracked. Replace the guard if it has been exposed to impact or is cracked.
- Always check that the guard is correctly fitted before starting the machine.
- Ensure the lexan cover move freely up and down.

Roll cage

The roll cage protects the equipment/engine and operator from damage.

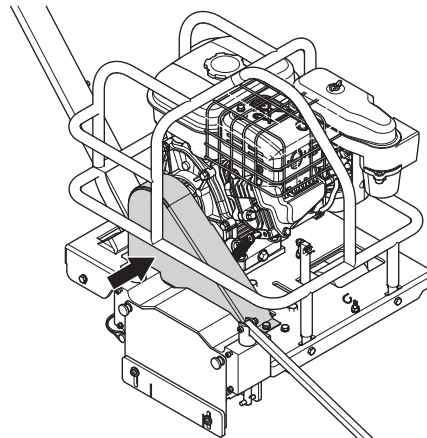


Checking the roll cage

- Check that the guard is undamaged and not cracked. Replace the guard if it has been exposed to impact or is cracked.
- Always check that the guard is correctly fitted before starting the machine.

Belt guard

The belt guard protects the operator from rotating sheaves and belt.



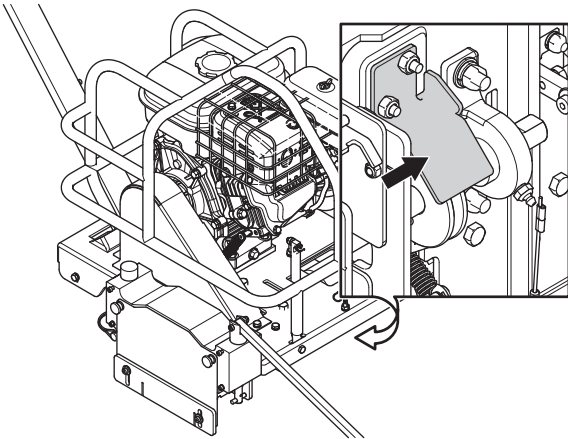
Checking the belt guard

- Check that the guard is undamaged and not cracked. Replace the guard if it has been exposed to impact or is cracked.
- Always check that the guard is correctly fitted before starting the machine.

MACHINE'S SAFETY EQUIPMENT

Sheave guard

The sheave guard protects the operator from rotating bladeshaft sheave.

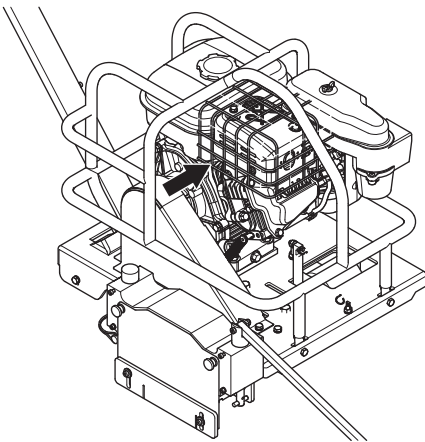


Checking the sheave guard

- Check that the guard is undamaged and not cracked. Replace the guard if it has been exposed to impact or is cracked.
- Always check that the guard is correctly fitted before starting the machine.

Muffler guard

The muffler guard protects the operator from getting into contact with the hot muffler.



Checking the muffler guard

- Check that the guard is undamaged and not cracked. Replace the guard if it has been exposed to impact or is cracked.
- Always check that the guard is correctly fitted before starting the machine.

DIAMOND BLADES

General



CAUTION! Inspect the blade for damage, cracks, loss of segments, warping, overheating, excessive wear or a damaged tri-arbor hole. If the blade shows any of these problems, discard the blade.

Make sure the blade is marked with a maximum operating speed greater than 4450 rpm.

Soff-Cut 150

Use only Husqvarna Excel Series blades or blades marked with a maximum operating speed greater than 4450 rpm.

Excel Series blades



CAUTION! Husqvarna Excel Series diamond blades are designed to only cut green concrete. Cutting any other material may result in blade failure or a dangerous condition.

The Excel Series are designed specifically for the Soff-Cut Ultra Early Entry dry cutting system of green concrete.

These specialty blades are designed to increase speed and life while cutting a wide range of aggregates.

Choose the correct blade for your application. If you are uncertain of what blade to use contact your local service dealer.

Excel 1000 purple	XL6-1000	Ultra hard aggregate and non abrasive sand.
Excel 2000 green	XL6-2000	Hard to ultra hard aggregate and non abrasive sand.
Excel 3000 red	XL6-3000	Hard aggregate, medium abrasive sand.
Excel 4000 orange	XL6-4000	Medium hard aggregate, medium abrasive sand.
Excel 5000 yellow	XL6-5000	Medium hard to soft aggregate, abrasive sand.
Excel 6000 black	XL6-6000	Soft aggregate, highly abrasive sand.

Soff-Cut 150 D

Use only Husqvarna ProEdge Series blades or blades marked with a maximum operating speed greater than 4450 rpm.

ProEdge series blades

The ProEdge Line is designed for architectural scoring to replace labor-intensive hand tooling ideal for residential and commercial applications.

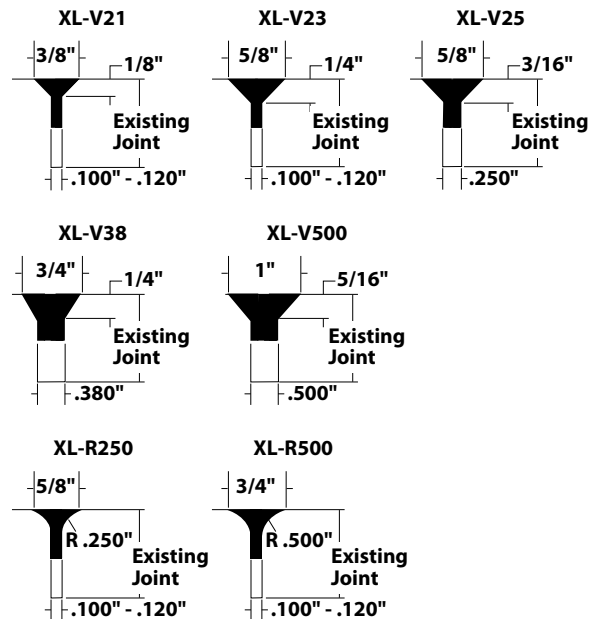
The blades are used to chase standard joints and turns ragged, chipped or raveled saw joints into beautifully beveled or radius edges.

Chasing cuts using the ProEdge blades would begin the next day or later after the concrete is placed and control joints have been made.

Choose the correct specification of blade for your application. If you are uncertain of what blade to use contact your local service dealer.

ProEdge V-blade	XL6-V21-D	3/8" (9.53mm) wide bevel blade for existing 0.100" (2.54mm) wide saw cut.
	XL6-V23-D	5/8" (15.88mm) wide bevel blade for existing 0.100" (2.54mm) wide saw cut.
	XL6-V25-D	5/8" (15.88mm) wide bevel blade for existing 0.250" (6.35mm) wide saw cut.
	XL6-V500-D	1" (25.4mm) wide bevel blade for existing 0.500" (12.7mm) wide saw cut.
ProEdge Radius blade	XL6-R250-D	5/8" (15.88mm) wide bevel blade for existing 0.100" (2.54mm) wide saw cut.
	XL6-R500-D	3/4" (19.1mm) wide bevel blade for existing 0.100" (2.54mm) wide saw cut.

The correct specification of ProEdge Blade is based on the width of the pre-existing control joint as follow:



Transport and storage

- Remove the blade before transportation or storage of the machine.
- Store the blade in a dry place.
- Inspect new blades for transport or storage damage.

ASSEMBLING AND ADJUSTMENTS

General



WARNING! The engine should be switched off during operations described in this chapter unless otherwise stated. Remove the ignition cable from the spark plug to prevent accidental engine starting.

Unpacking

- Remove the saw from the package. The saw should be lifted from the center handle on the roll cage.
- Discard or recycle the packing material per your regional laws.
- **Soff-Cut 150:** No diamond cutting blade or skid is included with the saw. Purchase the appropriate blade and skid plate from your local Husqvarna Construction Product dealer.
- **Soff-Cut 150 D:** No radius or bevel blade is included with the saw. Purchase the appropriate blade from your local Husqvarna Construction Product dealer.

Fit the blade

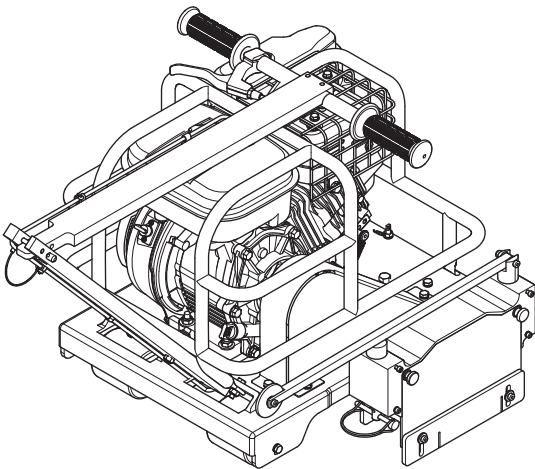


CAUTION! Inspect the blade for damage, cracks, loss of segments, warping, overheating, excessive wear or a damaged tri-arbor hole. If the blade shows any of these problems, discard the blade.

Make sure the blade is marked with a maximum operating speed greater than 4450 rpm.

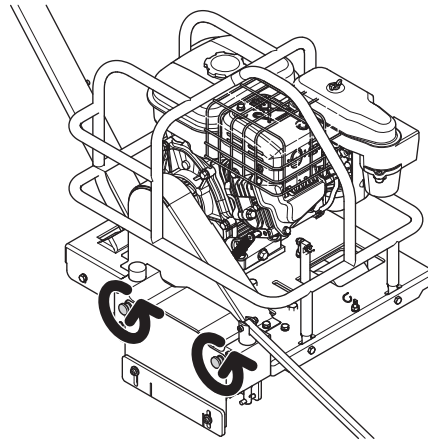
Inspect blade flanges for damage, excessive wear and cleanliness. The blade should fit snugly on clean, undamaged, tri-arbor shaft.

- Fold the handle to its full upright position.
- Insert the locking pin.

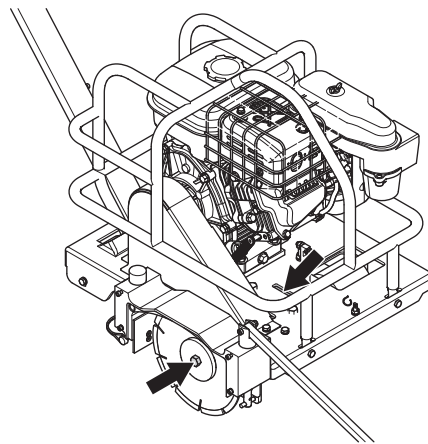


- Raise the blade by pushing down on the handle bar with both hands to the full and locked position.

- Remove the blade block guard.



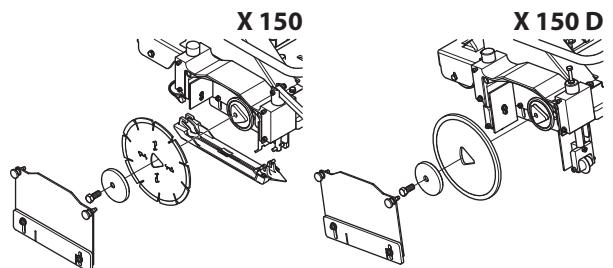
- Insert one of the two wrenches supplied, in the slot at the front of the engine and one on the blade shaft bolt.



- Rotate the blade shaft counter-clockwise with wrench on the blade shaft bolt until the second wrench engages the flats on the other end of the shaft.
- Remove the blade shaft bolt by continuing to turn the bolt counter-clockwise.
- Remove the outer blade flange.
- **Soff-Cut 150:** Discard the old skid plate.

NOTICE! The patented skid plate is the most important part of the Soff-Cut Ultra Early Entry system. If it is bent, twisted or damaged, spalling and raveling of a cut may result. Store skid plates carefully and install them properly. Install a new skid plate with each new blade. Never re-use skid plates.

- Thoroughly clean the concrete from the shaft, blade block and blade block guard.
- Mount the clean blade on the blade shaft.



- Mount the outer blade flange. Tighten the bolt firmly.
- **Soff-Cut 150:** Install a new skid plate.

ASSEMBLING AND ADJUSTMENTS

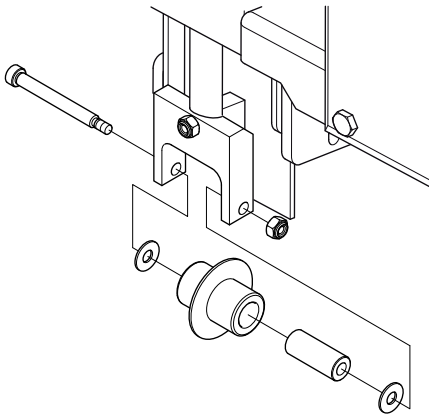
Hook the front of the skid plate on the front blade block shaft pin.

Connect the rear blade block shaft and the rear of the skid plate by installing the locking pin.

- Mount the blade block guard. Tighten until fully seated against the blade block.
- **Soff-Cut 150:** Lift the front and rear of the skid plate to ensure the blade slides freely through the skid plate.
- Ensure the lexan cover move freely up and down.

Replacing guide wheels (Soff-Cut 150 D)

- Use the 1/4" wide guide wheels (front and rear included with the saw) when chasing 1/4" saw cuts with the XL6-V25-D blade.
- To replace guide wheels, remove lock nut and slide out the shoulder bolt.

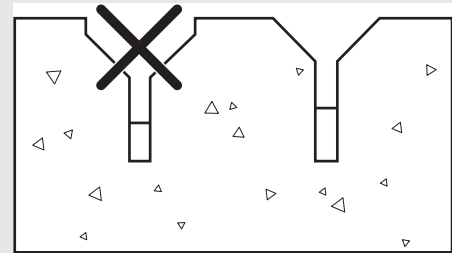


- Make note of the washers and other parts removed and the order of assembly.
- Slide the bronze bushing from inside the old guide wheel and insert into the new one.
- Slide the bronze bushing from inside the old guide wheel and insert into the new one.
- Both front and rear guide wheels must be replaced; do not mix different width guide wheels.
- Install the new guide wheels using the same shoulder bolts, lock nuts and plastic washers.
- Half-inch wide guide wheels (not included with the saw) also available for use with ProEdge Blade XL6-V500-D, when chasing 1/2" wide saw cuts.

Blade depth adjustment (Soff-Cut 150 D)



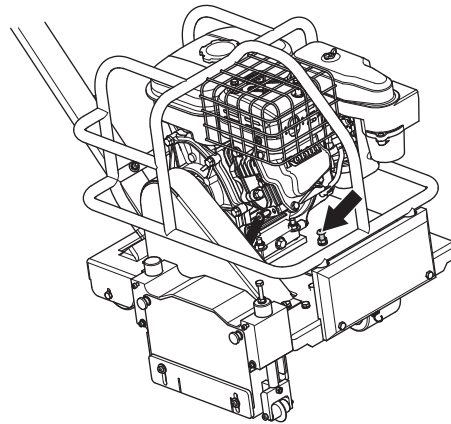
CAUTION! The radius and V-blade depth of cut is preset at maximum depth at the factory for optimum performance. Do not attempt the following adjustment unless necessary. Do not adjust for more depth. Doing so will produce an undesirable 'house effect' beveled cut.



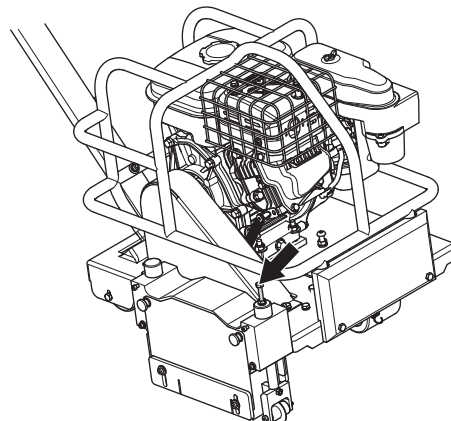
The blade is preset to the proper cutting depth at delivery. Little or no adjustment is necessary.

Adjustment for shallower cuts (narrower width)

- Loosen the depth stop adjustment jam nut counter-clockwise.



- Turn the depth stop adjust bolt clockwise. Each full revolution of the depth adjust bolt will reduce the beveled or radius cut width by 1/8".
- Loosen the plunge adjustment jam nut counter-clockwise. Make sure the rear wheels are flat on the ground by pushing the down on the rear of mainframe.



ASSEMBLING AND ADJUSTMENTS

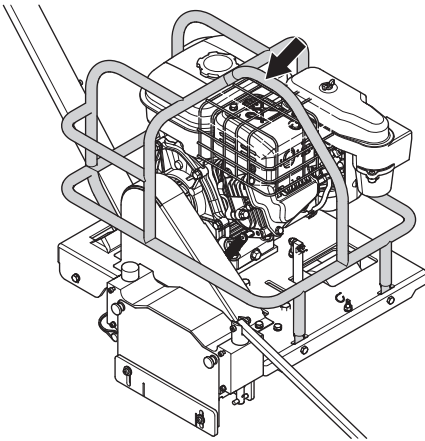
- Turn the plunge adjustment screw clockwise by hand until it touches the guide wheel shaft.
- Back off a quarter turn (counter-clockwise) and lock in place by tightening the Plunge adjustment jam nut.
- Chase an existing saw joint for approximately one foot to verify that the proper decorative cut is achieved.

Pre operational checks

The engine is delivered without oil. Fill with engine oil to the correct level. Refer to Technical Data for recommendations on which oil type to use.

Transport

- Remove the locking pin.
- Fold the handle forward.
- Fold the guide arm back.
- The saw should be lifted from the center handle on the roll cage.



FUEL HANDLING

General



WARNING! Running an engine in a confined or badly ventilated area can result in death due to asphyxiation or carbon monoxide poisoning. Use fans to ensure proper air circulation when working in trenches or ditches deeper than one meter (3 foot).

Fuel and fuel fumes are highly flammable and can cause serious injury when inhaled or allowed to come in contact with the skin. For this reason observe caution when handling fuel and make sure there is adequate ventilation.

The exhaust fumes from the engine are hot and may contain sparks which can start a fire. Never start the machine indoors or near combustible material!

Do not smoke and do not place any hot objects in the vicinity of fuel.

Fuel

Use unleaded gasoline with an octane rating of 87 or higher.

Unleaded gasoline with more than 10% ethanol should not be used. It may cause starting and/or performance problems. It may also damage metal, rubber, and plastic parts of the fuel system, as well as posing a fire hazard.

Do not use gasoline containing methanol.

Do not use fuel that is older than 30 days. Old fuel can cause running problems as well as fuel system damage.

Fueling



WARNING! Always stop the engine and let it cool for a few minutes before refueling. Refuel in a well ventilated area. Never fuel the machine indoors.

When refuelling, open the fuel cap slowly so that any excess pressure is released gently. Never overfill the fuel tank.

Clean the area around the fuel cap.

Tighten the fuel cap carefully after refueling. Check for fuel leaks.

Negligence may lead to the start of a fire.

Remove the machine from the vehicle and refuel it on the ground. If this is not possible, refuel the equipment with a portable container, rather than from a gasoline dispenser nozzle.

Use only approved gasoline containers.

Never fill containers inside a vehicle. Always place the container on the ground away from your vehicle when filling.

Keep the nozzle in contact with the rim of the fuel tank or container opening at all times until fuelling is complete. Do not use a nozzle lock-open device.

Never start the machine:

- If you have spilled fuel or engine oil on the machine, wipe off the spillage and allow remaining fuel to evaporate.
- If you have spilled fuel on yourself or your clothes, change your clothes. Wash any part of your body that has come in contact with fuel. Use soap and water.
- If the machine is leaking fuel. Check regularly for leaks from the fuel cap and fuel lines.

Disposal

Used engine oil, antifreeze etc. is a health hazard and must not be disposed of on the ground or in nature; it should always be disposed of at a workshop or appropriate disposal location.

Transport and storage

Store and transport the machine and fuel so that there is no risk of any leakage or fumes coming into contact with sparks or open flames, for example, from electrical machinery, electric motors, electrical relays/switches or boilers.

When storing and transporting fuel always use approved containers intended for this purpose.

Long-term storage

When storing the machine for long periods the fuel tank must be emptied. Contact your local gas station to find out where to dispose of excess fuel.

OPERATING

Protective equipment

General

- Do not use the machine unless you are able to call for help in the event of an accident.

Personal protective equipment

You must use approved personal protective equipment whenever you use the machine. Personal protective equipment cannot eliminate the risk of injury but it will reduce the degree of injury if an accident does happen. Ask your dealer for help in choosing the right equipment.



WARNING! The use of products such as cutters, grinders, drills, that sand or form material can generate dust and vapors which may contain hazardous chemicals. Check the nature of the material you intend to process and use an appropriate breathing mask.

Long-term exposure to noise can result in permanent hearing impairment. So always use approved hearing protection. Listen out for warning signals or shouts when you are wearing hearing protection. Always remove your hearing protection as soon as the engine stops.

Always wear:

- Approved protective helmet
- Hearing protection
- Approved eye protection.
- Breathing mask
- Heavy-duty, firm grip gloves.
- Tight-fitting, heavy-duty and comfortable clothing that permits full freedom of movement.
- Boots with steel toe-caps and non-slip sole
- Wear rubber work gloves to avoid contact with wet concrete which can cause serious skin irritation.

Be careful as clothing, long hair, and jewellery can get caught in moving parts.

Other protective equipment



CAUTION! Sparks may appear and start a fire when you work with the machine. Always keep fire fighting equipment handy.

- Fire Extinguisher
- Always have a first aid kit nearby.

General safety precautions



WARNING! Read all safety warnings and all instructions. Failure to follow the warnings and instructions may result in electric shock, fire and/or serious injury.

This section describes basic safety directions for using the machine. This information is never a substitute for professional skills and experience.

- Please read the operator's manual carefully and make sure you understand the instructions before using the machine.
- Keep in mind that it is you, the operator that is responsible for not exposing people or their property to accidents or hazards.
- All operators shall be trained in the use of the machine. The owner is responsible for ensuring that the operators receive training.
- The machine must be kept clean. Signs and stickers must be fully legible.



WARNING! The machine can be a dangerous tool if used incorrectly or carelessly, which can cause serious or fatal injury to the operator or others.

Never allow children or other persons not trained in the use of the machine to use or service it.

Never allow anyone else to use the machine without first ensuring that they have read and understood the contents of the operator's manual.

Never use the machine if you are fatigued, while under the influence of alcohol or drugs, medication or anything that could affect your vision, alertness, coordination or judgement.



WARNING! Unauthorized modifications and/or accessories may lead to serious injury or death to the user or others. Under no circumstances may the design of the machine be modified without the permission of the manufacturer.

Do not modify this product or use it if it appears to have been modified by others.

Never use a machine that is faulty. Carry out the safety checks, maintenance and service instructions described in this manual. Some maintenance and service measures must be carried out by trained and qualified specialists. See instructions under the heading Maintenance.

Always use genuine accessories.

OPERATING



WARNING! This machine produces an electromagnetic field during operation. This field may under some circumstances interfere with active or passive medical implants. To reduce the risk of serious or fatal injury, we recommend persons with medical implants consult their physician and the medical implant manufacturer before operating this machine.

Always use common sense

It is not possible to cover every conceivable situation you can face. Always exercise care and use your common sense. If you get into a situation where you feel unsafe, stop and seek expert advice. Contact your dealer, service agent or an experienced user. Do not attempt any task that you feel unsure of!

Work safety

Work area safety

- **Keep work area clean and well lit.** Cluttered or dark areas invite accidents.
- Define and cordon off the risk area. Keep people and animals well away from the risk area.
- People and animals can distract you causing you to lose control of the machine. For this reason, always remain concentrated and focused on the task.
- Do not use the machine in bad weather, such as dense fog, heavy rain, strong wind, intense cold, etc. Working in bad weather is tiring and can lead to dangerous conditions, e.g. slippery surfaces.
- Never start to work with the machine before the working area is clear and you have a firm foothold.

Personal safety

- Never use the machine if you are fatigued, while under the influence of alcohol or drugs, medication or anything that could affect your vision, alertness, coordination or judgement.
- Prevent unintentional starting. Ensure the switch is in the OFF-position.
- Check that no tools or other objects have been left lying on the machine.
- Never allow anyone else to use the machine without proper training.
- Always shut off the machine during longer work breaks.
- Never work alone, always ensure there is another person close at hand.
- Learn how to use the machine and its controls safely and learn to how to stop quickly. Also learn to recognize the safety decals.
- Do not overreach. Keep proper footing and balance at all times.

Use and care

- Experience is very important when running the machine. A skilled worker is highly recommended.
- Always perform daily maintenance before starting the engine. See instructions in the section "Maintenance".
- The machine is intended for use in industrial applications by experienced operators.
- Only operate the saw from behind the machine with both hands on the handle.
- Use caution when loading, unloading and when manoeuvring the machine on ramps.
- Do not use the machine as vehicle for transporting personnel or equipment.
- Never stand on the machine.
- Do not overload the machine. Overloading can damage the machine.
- Keep tools sharp and clean in order to enable safer work.
- Keep all parts in good working order and ensure that all fixtures are properly tightened.
- Never leave the machine unsupervised with the motor running.
- Make sure the blade does not make contact with the ground or any other surface when manoeuvring the saw.
- Avoid getting in direct line with the blade or contacting the blade while it is rotating.

Basic working techniques

Sawing contraction joint

As concrete hydrates or cures and begins to set, it develops internal stresses which may cause random cracks.

Random cracks cast doubt on the quality and workmanship of the concrete. Contraction joints are cut in concrete to relieve these stresses before they seek their own relief in the form of random crack.

The Soff-Cut Ultra Early Entry system controls random cracking through the early timing of a saw cut at predetermined locations to create weakened planes in the concrete that subsequently crack at the bottom of the cut to relieve stress.

Husqvarna sawed contraction joints should be a minimum of 1/8th the concrete depth and a minimum of 25 mm (1") deep.

Contraction joints should be sawn as soon as the concrete will support the weight of the saw and the operator without marking or damaging the concrete.

There are many possibilities for joint layout. Joint layout should be provided, the saw contractor should submit a detailed joint layout for approval prior to cutting.

Several factors affect joint spacing including:

- Concrete thickness.
- Type, amount and location of reinforcement.
- Shrinkage potential of concrete-cement (type, quantity), aggregate (size, quantity, quality), water to cement ratio, admixtures, concrete temperature.

OPERATING

- Base friction.
- Slab restraints.
- Layout of foundations, racks, pits, equipment pad, trenches, etc.
- Environmental factors - temperature, wind, humidity.
- Methods and quality of concrete curing.

Generally, contraction joint patterns should divide slabs into approximate square panels per the recommended spacing shown.

Recommended contraction joint spacing

Concrete thickness, mm (in.)	Maximum spacing, m (ft.)
90 (3.5)	2,4 (8)
100, 114 (4, 4.5)	3,0 (10)
125, 140 (5, 5.5)	3,6 (12)
150 (6) or greater	4,5 (15)

At all intersecting cross cuts, install Husqvarna joint protectors at each joint to prevent joint damage. Install an additional joint protector where the right wheel will cross the joint to prevent concrete damage.

Maximizing the Soff-Cut system

'The timing of concrete operations - especially finishing and jointing - is critical...Failure to address this issue can contribute to undesirable characteristics in the wearing surface as cracking...' (Extract from the foreword of the American Concrete Institute (ACI) 302.1 R-96.)

The patented Soff-Cut Ultra Early Entry system has revolutionized the method used to control random cracking.

In order for an operator to do a satisfactory job using the Soff-Cut system, the following criteria must be met:

- A Soff-Cut Ultra Early Entry dry up-cut saw.
- A Husqvarna Excel Series dry-cutting diamond blade.
- A Husqvarna anti-ravel skid plate installed with every new diamond blade.
- An operator skilled in using the Soff-Cut Ultra Early Entry cutting system.

Without this, joints can not be cut clearly enough to control random cracking before it starts, which is what the building owner is paying for.

The ACI Spec 302.1R-96 says it best:

'Early-entry dry-cut saws use diamond-impregnated blades and a skid plate that helps prevent spalling. Timely changing of skid plates is necessary to effectively control spalling. It is best to change skid plates in accordance with manufacturer's recommendations...The goal of saw-cutting is to create a weakened plane as soon as the joint can be cut...The timing of the early-entry process allows joints to be in place prior to development of significant tensile stress in the concrete...'

The Portland Cement Association (PCA) engineering bulletin, Concrete Floors on the ground, also states:

'Proper jointing can eliminate unsightly random cracks. Aspects of jointing that lead to a good job are choosing the correct type of joint for each location, establishing a good joint pattern and layout, and installing the joint at the correct time... Timing of joint sawing is critical...Lightweight, high-speed,

early-cut saws have been developed to permit the joint sawing very soon after floor finishing, sometimes within 0 to 2 hours...if the cut is sawn within a few hours after the final finishing, random cracking can be controlled...'

Husqvarna has the only Ultra Early Entry dry-cutting system (Soff-Cut) which controls random cracking through the early timing of the cut. With the patented Soff-Cut method, control joints are usually cut within 2 hours after the finishing process.

Joint cutting should begin as soon as the concrete will support the weight of the saw and the operator at each joint location and before final set.

If the joints are not being cut within this time frame then the Soff-Cut Ultra Early Entry method is not being followed.

Transport and storage



CAUTION! The saw should be lifted from the center handle on the roll cage.

- If two people are lifting the saw, use the roll cage bar on each side of the saw and lift with two hands.
- Always store the saw in a completely lowered position and secured from moving.
- Close the fuel valve.
- Secure the equipment during transportation in order to avoid transport damage and accidents.
- Store the equipment in a lockable area so that it is out of reach of children and unauthorized persons.
- Remove the blade before transportation or storage of the machine.
- Store the machine and its equipment in a dry and frost proof place.

Starting and stopping

Before starting



WARNING! Please read the operator's manual carefully and make sure you understand the instructions before using the machine.

Wear personal protective equipment. See instructions under the heading "Personal protective equipment".

Make sure no unauthorised persons are in the working area, otherwise there is a risk of serious personal injury.

Check that the guards are mounted correctly and do not show any signs of damage. See instructions in the section "Machine's safety equipment" and "Assembly and settings".

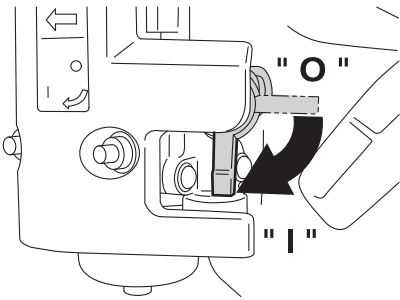
- Perform daily maintenance. See instructions in the section "Maintenance".
- Check that the handle is in full upright position and pinned.
- Check that the front guide is rotated to the forward position.

OPERATING

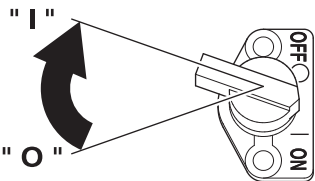
Starting

Start the engine

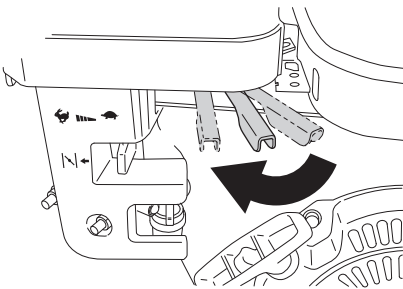
- Open the fuel valve.



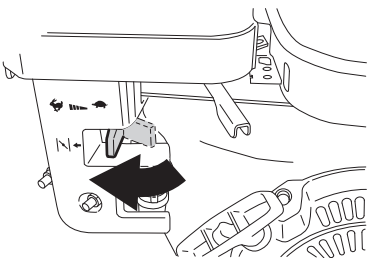
- Raise the blade by pushing down on the handle bar with both hands to the full and locked position.
- Turn the switch to the 'ON' ('1' position) to start the engine. The blade starts to rotate when the engine is turned on.



- Move the speed lever 1/3 of the way to the open position.



- Close the engine choke lever.



The closed choke position enriches the fuel mixture for starting a cold engine.

The open choke position provides the correct fuel mixture for operation after the engine starts and for restarting a warm engine.

- Pull the starter handle.
- After the engine starts, slowly open the choke. Allow the engine to warm for a few minutes.

Start cutting

Soff-Cut 150

- Open the engine throttle lever to full open position for maximum engine speed.

- Line up the saw with the cut line using the white wheel on the front guide and the triangle pointer on the back of the blade block.
- Push down on the saw handle and pull the blade release lever to lower the blade in the concrete slowly.
- Push the saw forward to cut keeping the front guide wheel in the cut line.
- Push the saw at about half speed for the first 50 feet to allow the blade to develop good diamond exposure.
- Increase the forward speed of the saw until the blade and engine are working at maximum efficiency. Do not force the saw.
- When approaching a wall, raise the front guide and use the triangle guide at the back of the blade block to cut the last few feet.
- Do not hit the blade block assembly against any object. Damage may result.

Soff-Cut 150 D

- Open the engine throttle lever to full open position for maximum engine speed.
- Line up the rear guide wheel with the pre-existing saw cut.
- Push down on the saw handle and pull the blade release lever to slowly lower the saw and drop the rear guide wheel, then the front guide wheel, into the saw cut.

Note: Do not completely lower the saw and the blade into the concrete until the front and rear guide wheels are positively aligned in the saw cut.

- Once the guide wheels are in the saw cut, lower the saw completely to start chasing the joint.
- Chase an existing saw joint for approximately one foot and verify blade/guide wheel alignment and that the proper decorative cut is achieved.
- Increase the forward speed of the saw until the blade and engine are working at maximum efficiency. Do not force the saw.
- Maintain an even speed; pushing the saw too fast will cause the blade to ride up out of the saw joint causing uneven beveling.
- Do not hit the blade block assembly against any object. Damage may result.

Stopping

- Raise the blade by pushing down on the handle bar with both hands to the full and locked position.
- Move the engine throttle lever to the full closed position.
- Turn the switch to the 'OFF' ('O' position).
- Close the fuel valve.
- Clean the machine.

MAINTENANCE

General



WARNING! The user must only carry out the maintenance and service work described in this manual. More extensive work must be carried out by an authorized service workshop.

The engine should be switched off during operations described in this chapter unless otherwise stated.

Wear personal protective equipment. See instructions under the heading "Personal protective equipment".

The life span of the machine can be reduced and the risk of accidents can increase if machine maintenance is not carried out correctly and if service and/or repairs are not carried out professionally. If you need further information please contact your nearest servicing dealer.

Let your Husqvarna dealer regularly check the machine and make essential adjustments and repairs.

Maintenance schedule

In the maintenance schedule you can see which parts of your machine that require maintenance, and with which intervals it should take place. The intervals are calculated based on daily use of the machine, and may differ depending on the rate of usage.

	Daily Maintenance	Weekly maintenance/40 hours	Monthly maintenance/200 hours
Cleaning	External cleaning	Air cleaner	Fuel cup
		Spark plug	
Check	General inspection	Drive belt	Spark plug and electrode gap
	Skid plate		
	Lexan cover*		
	Blade block guard*		
	Blade**		
	Fuel level***		
	Oil level		
Change		Oil (After the first 20 h then every 100 h)	Air cleaner element
Greasing		Blade shaft bearings	

*See instructions in the section "Machine's safety equipment".

** See instructions in the section "Blades" and "Assembly and settings".

***See instructions in the section "Fuel handling".

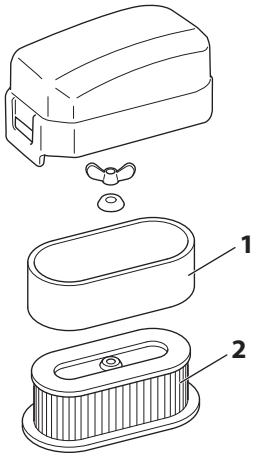
Cleaning

External cleaning

- Clean the machine daily by rinsing it with clean water after the work is finished. Keep the handles clean and dry.
- Clean the blade block of any excess concrete build up after each use. Use a heavy-duty hand-held brush or a large paint brush.
- If you have spilled fuel or engine oil on the machine, wipe off the spillage and allow remaining fuel to evaporate.
- Keep all openings and slots on the saw clean open so air flows freely through the engine compartment to ensure proper cooling.

MAINTENANCE

Air cleaner



- Wash the urethane foam filter (1) with detergent. Allow the filter to dry.
- Clean the paper element (2) by tapping gently to remove dirt and blow off dust.

Spark plug

- Ensure that the spark plug cap and ignition lead are undamaged to avoid the risk of electric shock.
- Clean off carbon deposits on the spark plug electrode using a plug cleaner or wire brush.

Fuel cup

- Inspect fuel cup for water and dirt.
- To remove water and dirt, close the fuel tap and remove the fuel cup.
- After removing dirt and water, wash the fuel cup with kerosene or gasoline.
- Reinstall securely to prevent leakage.

Check

General inspection

- Check that nuts and screws are tight.
- Check for fuel and oil leakage.
- **Soff-Cut 150 D:** Check that the front guide and rear guide wheels spin freely.

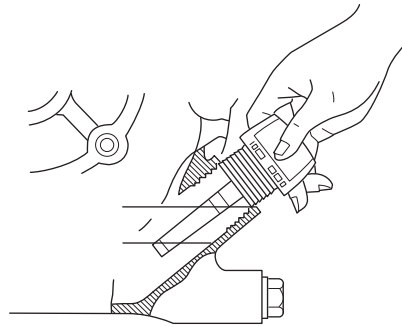
Skid plate (Soff-Cut 150)

- Check for damage and excessive wear in the blade slot.
- Check for burrs on the concrete surface side and twisting.
- Install a new skid plate with each new blade. Never re-use skid plates.
- Lift the front and rear of the skid plate to ensure the blade slides freely through the skid plate.

Oil level

- Turn off the engine.
- Lower the machine and make sure the engine is in level.

- Remove the oil cap and wipe the dipstick clean.
- Check the oil level. Do not screw the oil dipstick into the oil filler neck to check the oil level.



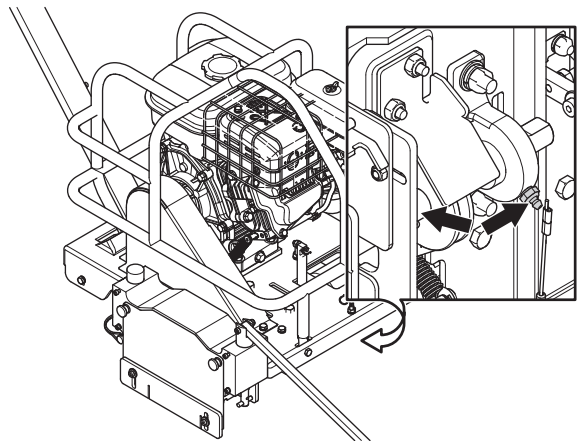
- If the oil level is low, fill using engine oil up to the upper level on the dipstick. See instructions in section "Technical data" for oil specification.
- Screw on the oil filler cap.

Drive belt

- Check that drive belt is not damaged and is not visibly defective.
- The belt tension is controlled by belt tensioner and does not require adjustment.
- Inspect the belt tensioner for free movement up and down.
- Ensure the belt tensioner bearings roll freely.

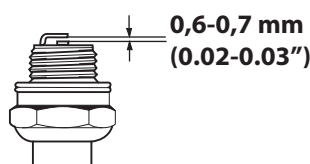
Blade shaft bearings

- Lubricate the blade shaft bearings with 3 pumps of Lithium 12 based grease.



Spark plug and electrode gap

- See cleaning instructions under the heading "Cleaning".
- Check electrode gap. The gap should be 0.6 mm to 0.7 mm (0.02 inch.-0.03 inch).



- Adjust the gap, if necessary, by carefully bending the side electrode.

Change

Oil

Change oil after the first 20 hours of use thereafter every 100 hours.

Change the engine oil while the engine is hot.

- Turn off the engine.
- Place a pan under the drain and remove the plug.
- Let the oil run out into the container.
- Put the plug back and fill with new oil.
- When full, the oil level should be at the high level mark on the dipstick.

Oil sensor

The engine is equipped with an oil alert system that will stop the engine if the oil level is low.

The engine cannot be started unless the level is raised above the prescribed limit.

Disposal

Used engine oil, antifreeze etc. is a health hazard and must not be disposed of on the ground or in nature; it should always be disposed of at a workshop or appropriate disposal location.

Air cleaner element

See cleaning instructions under the heading "Cleaning".

- Replace the paper element monthly or earlier if necessary.

Additional engine information

Please see the engine Operator's Manual for additional information about servicing the engine.

The manual also has specific information about specifications, tune-up parts, engine warranty, emission compliance, etc.

TROUBLESHOOTING

Troubleshooting schedule



WARNING! Most accidents involving machines occur during trouble shooting, service and maintenance as staff have to locate themselves within the machine's risk area. Prevent accidents by being alert and by planning and preparing the work.

The engine should be switched off during operations described in this chapter unless otherwise stated.

Saw is spalling and raveling cut (Soff-Cut 150)	Check to see if the diamond blade is worn out, glazed, warped or damaged.
	Ensure skid plate moves freely up and down the entire shaft length without contacting the diamond blade.
	Check skid plate for excessive wear or gap around the diamond blade.
	Check bottom of skid plate for metal burrs or irregularities.
	Ensure skid plate is not twisted or bent.
	Check lexan covers for free movement up and down.
	Ensure there is spring down pressure at each end of the skid plate.
	Do not twist or move the saw sideways while cutting. Make gradual changes in pressure on the handlebar to control the saw in the cut.
	Check that the engine is running properly and at full throttle.
	Check belt and belt idler for proper tension.
	Ensure the diamond blade is properly mounted and secured with clean flanges.
	Ensure that the diamond blade is the correct specification for your area.
	Ensure the slab is in clean with no debris that could raise the skid plate or saw while cutting.
	Use Husqvarna joint protectors at all cut intersections.
	Clean excess concrete debris from the blade block assembly.
	Check that the scrapers in the blade block are not bent or binding.
Ensure that the blade block shafts are not bent or damaged.	
Bevel or radius cut inconsistent (Soff-Cut 150 D)	Check to see if the diamond blade is worn out, glazed, warped or damaged.
	Ensure front and rear guide wheels can move freely up and down without binding.
	Ensure front and rear guide wheels can spin freely.
	Do not push the saw too fast. Sawing too fast will cause the blade to ride up out of the concrete.
	Make sure the guide wheels are aligned in the pre-existing saw cut before starting.
	Make sure the existing saw cuts are clean and free of debris.
	Check lexan covers for free movement up and down.
	Ensure there is spring down pressure at each end of the skid plate.
	Do not twist or move the saw sideways while cutting. Make gradual changes in pressure on the handlebar to control the saw in the cut.
	Check that the engine is running properly and at full throttle.
	Check belt and belt idler for proper tension.
	Ensure the diamond blade is properly mounted and secured with clean flanges.
	Ensure the slab is in clean with no debris that could raise the saw while cutting.
	Clean excess concrete debris from the blade block assembly.
Check that the scrapers in the blade block are not bent or binding.	
Ensure that the blade block shafts are not bent or damaged.	
Re-cut the joint in the opposite direction.	
Saw pulls to one side while sawing	Soff-Cut 150:
	Check that the front guide is properly aligned with the center of the diamond blade.
	Soff-Cut 150 D:
	Check front and rear guide is properly aligned with the center of the diamond blade.
	Check to see if the diamond blade is worn out, glazed, warped or damaged.
	Do not twist or move the saw sideways while cutting. Make gradual changes in pressure on the handlebar to control the saw in the cut.
	Ensure that all wheels rolls freely and smoothly.
	Do not force the saw. Allow the diamond blade to cut at its own rate of speed.
	Soff-Cut 150:
Check the skid plate for damage or burrs.	

TROUBLESHOOTING

Engine does not start	Check if there is fuel in the tank and it is the correct fuel. Make sure there is no water in the fuel.
	Check if the fuel valve is turned to the 'on' position.
	Check if the ON/OFF switch is in the 'ON' position.
	Check that the spark plug wire is connected to the spark plug.
	Engine is flooded. Adjust the choke per the engine owner's manual.
	Check the choke is in the 'ON' position for cold starts. Adjust the choke per the engine owner's manual.
	Oil level is too low. Engine is equipped with an oil alert system that will not let the engine start unless the engine oil level is within the correct range.
	Check that air cleaner is not dirty or plugged.
	Check that the blade shaft rotates freely and no concrete has built up in the blade block.
Engine runs rough, back fires or can not reach full speed.	Check if there is fuel in the tank and it is the correct fuel. Make sure there is no water in the fuel.
	Oil level is too low. Engine is equipped with an oil alert system that will not let the engine start unless the engine oil level is within the correct range.
	Check that air cleaner is not dirty or plugged.
	Check that spark plug is clean and properly gapped.
	Check that throttle lever is properly set.
Check the choke is in the 'ON' position for cold starts. Adjust the choke per the engine owner's manual.	

TECHNICAL DATA

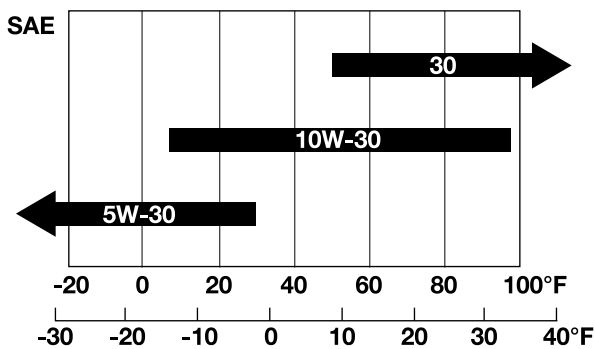
Technical data

Engine

Model	Subaru Robin EX 13
Type	Air cooled, 4-cycle, single slant cylinder, overhead camshaft, gasoline engine.
Emissions	Complies with EPA Phase 2 and CARB Tier II USA regulations
Max. engine output hp/kW (see note 1)	4,3hp@4000rpm (3,2kW@4000rpm)
Fuel tank volume, l (gal)	2,7 (0.7)
Air cleaner	Cyclonic type (Dry type dual element with pre-cleaner)
Cooling	Air cooled with internal and external cooling fins.
Spark plug	NGK BR-6HS (CHAMPION RL86C)
Oil system	Oil alert system with auto shut down sensor.
Oil tank volume, l (quarts)	0,6 (0.6)
Oil type	4-stroke automotive detergent oil of API service class SE or higher grade.

Note 1: Note 1: As specified by engine manufacturer. The power rating of the engines indicated is the average net power output (at specified rpm) of a typical production engine for the engine model measured to ISO3046. Mass production engines may differ from this value. Actual power output for the engine installed in the final machine will depend on the operating speed, environmental conditions and other variables.

Viscosity - oil



Weight and Dimensions

	Soff-Cut 150	Soff-Cut 150 D
Weight without fuel, kg (lbs)	38 (84)	44 (96)
Weight with fuel, kg (lbs)	41 (91)	47 (104)
Length (handle folded in), mm (inch)	864 (34)	864 (34)
Width, mm (inch)	483 (19)	483 (19)
Height, mm (inch)	533 (21)	533 (21)

Blade

	Soff-Cut 150	Soff-Cut 150 D
Blade type	Excel blades, dry cut with tri-arbor	ProEdge radius and beveled blades
Material	Green concrete only	Control joints on cured concrete only
Blade size - max, mm (inches)	152 (6)	152 (6)
Maximum depth of cut, mm (inch)	30 (1 3/16)	30 (1 3/16)
Cutting distance from wall, mm (inch)	76 (3)	114 (4 1/2)
Blade rotation	Counter clockwise, upcutting	Counter clockwise, upcutting
Blade shaft speed, rpm	4450 (Average 3,800)	4450 (Average 3,800)
Blade depth control	Manual	Manual

Average cutting rate

Estimate only. Speed will vary with job conditions and concrete mixes.

Soft aggregates, m/min (ft/min)	3,7 (12)
Medium aggregates, m/min (ft/min)	2,4 (8)
Hard aggregates, m/min (ft/min)	1,2 (4)

EXPLICATION DES SYMBOLES

Symboles sur la machine

AVERTISSEMENT! La machine utilisée de manière imprudente ou inadéquate peut devenir un outil dangereux, pouvant causer des blessures graves voire mortelles à l'utilisateur et aux autres personnes présentes.



Lire attentivement et bien assimiler le manuel d'utilisation avant d'utiliser la machine.



Maintenez toute partie du corps loin des surfaces chaudes.



Les gaz d'échappement du moteur contiennent de l'oxyde de carbone pouvant provoquer l'intoxication. Ne jamais démarrer ou utiliser la machine à l'intérieur d'un bâtiment ou dans un lieu mal aéré.



Arrêter le moteur et le laisser refroidir pendant quelques minutes avant de faire le plein.



Feu et flammes nues sont prohibés ; il est également interdit de fumer.



On (Marche)



Off (Arrêt)



Huile moteur



Niveau d'huile trop bas. Corriger le niveau d'huile moteur en en ajoutant.

Les autres symboles/autocollants présents sur la machine concernent des exigences de certification spécifiques à certains marchés.

ATTENTION ! CALIFORNIA AIR RESOURCES BOARD (CARB) : Cette machine est considérée comme une application hors route exemptée des normes CARB. L'EPA, aux États-Unis, est la seule habilitée à instaurer des normes antipollution visant l'équipement de construction exempté. Pour obtenir de plus amples renseignements, visitez le site www.arb.ca.gov/msprog/offroad/preempt.htm

ATTENTION!

Les émissions du moteur de cet outil contiennent des produits chimiques qui, d'après l'État de Californie, peuvent causer le cancer, des malformations congénitales ou autre danger pour la reproduction.

Explication des niveaux d'avertissement

Il existe trois niveaux d'avertissement.

AVERTISSEMENT!



AVERTISSEMENT! Symbole utilisé en cas de risque de blessures très graves ou de mort pour l'utilisateur ou de dommages pour les environs si les instructions du manuel ne sont pas suivies.

REMARQUE !



REMARQUE ! Symbole utilisé en cas de risque de blessures pour l'utilisateur ou de dommages pour les environs si les instructions du manuel ne sont pas suivies.

ATTENTION !

ATTENTION ! Symbole utilisé en cas de risque de dommages pour les matériaux ou la machine si les instructions du manuel ne sont pas suivies.

Contrôler les points suivants avant la mise en marche:



AVERTISSEMENT! La découpe, particulièrement la découpe à SEC soulève la poussière générée par le matériau coupé qui contient souvent de la silice. La silice est composée de sable, de quarts d'argile, de granit et de nombreuses autres substances minérales et rocheuses. L'exposition à une quantité excessive d'une telle poussière peut causer:

Des maladies respiratoires (altérant les facultés respiratoires), y compris bronchites chroniques, silicose et fibrose pulmonaire dues à une exposition à la silice. Ces maladies peuvent être fatales;

Irritation cutanée et démangeaisons.

Des cancers selon NTP* et IARC* */ National Toxicology Program, International Agency for Research on Cancer

Prendre des mesures préventives:

Éviter l'inhalation et le contact avec la peau de la poussière, des vapeurs et des fumées.

L'utilisateur et les personnes présentes sur le site doivent porter des protections respiratoires appropriées telles que des masques spécialement prévus pour filtrer les particules microscopiques. (Voir OSHA 29 CFR Partie 1910.1200)

Couper si possible en utilisant le jet d'eau afin de réduire la poussière dispersée.

SOMMAIRE

Sommaire

EXPLICATION DES SYMBOLES

Symboles sur la machine	25
Explication des niveaux d'avertissement	25

SOMMAIRE

Sommaire	26
----------------	----

PRÉSENTATION

Cher client,	27
Conception et propriétés	27
Fonctions	27

PRÉSENTATION

Quels sont les composants de la machine ?	29
---	----

PRÉSENTATION

Quels sont les composants de la machine ?	30
---	----

ÉQUIPEMENT DE SÉCURITÉ DE LA MACHINE

Généralités	31
-------------------	----

LAMES DIAMANT

Généralités	33
Soff-Cut 150	33
Soff-Cut 150 D	33
Transport et rangement	33

MONTAGE ET RÉGLAGES

Généralités	34
Déballage	34
Monter la lame	34
Remplacement des roues de guidage	35
Réglage de la profondeur de la lame	35
Contrôles pré-opérationnels	36
Transport	36

MANIPULATION DU CARBURANT

Généralités	37
Carburant	37
Remplissage de carburant	37
Mise au rebut	37
Transport et rangement	37

COMMANDE

Équipement de protection	38
Instructions générales de sécurité	38
Sécurité du travail	39
Transport et rangement	41
Démarrage et arrêt	41

ENTRETIEN

Généralités	43
Schéma d'entretien	43
Nettoyage	43
Contrôle	44
Remplacement	45
Informations supplémentaires relatives au moteur	45

RECHERCHE DE PANNES

Plan de recherche de pannes	46
-----------------------------------	----

CARACTÉRISTIQUES TECHNIQUES

Caractéristiques techniques	48
-----------------------------------	----

PRÉSENTATION

Cher client,

Nous vous remercions d'avoir choisi un produit Husqvarna !

Nous espérons que cette machine vous donnera toute satisfaction et qu'elle vous accompagnera pendant de longues années. L'achat de l'un des nos produits garantit une assistance professionnelle pour l'entretien et les réparations. Si la machine n'a pas été achetée chez l'un de nos revendeurs autorisés, demandez l'adresse de l'atelier d'entretien le plus proche.

Ce mode d'emploi est précieux. Veillez à ce qu'il soit toujours à portée de main sur le lieu de travail. En suivant les instructions qu'il contient (utilisation, révision, entretien etc.), il est possible d'allonger considérablement la durée de vie de la machine et d'augmenter sa valeur sur le marché de l'occasion. En cas de vente de la machine, ne pas oublier de remettre le manuel d'utilisation au nouveau propriétaire.

Plus de 300 ans d'innovation

Husqvarna AB est une entreprise suédoise qui a vu le jour en 1689 lorsque le roi Karl XI décida de construire un arsenal pour la fabrication des mousquets. À l'époque, les compétences en ingénierie à la base du développement de certains des produits leaders du marché mondial dans des domaines tels que les armes de chasse, les vélos, les motocycles, l'électroménager, les machines à coudre et les produits d'extérieur, étaient déjà solides.

Husqvarna est le premier fournisseur mondial de produits motorisés pour utilisation en extérieur dans la foresterie, l'entretien de parcs, de pelouses et de jardins, ainsi que d'équipements de coupe et d'outils diamant destinés aux industries de la construction et de la pierre.

Responsabilité du propriétaire

Il est de la responsabilité du propriétaire/de l'employeur de s'assurer que l'utilisateur possède les connaissances nécessaires pour manipuler la machine en toute sécurité. Les responsables et les utilisateurs doivent avoir lu et compris le Manuel d'utilisation. Ils doivent avoir conscience :

- Des instructions de sécurité de la machine.
- Des diverses applications de la machine et de ses limites.
- De la façon dont la machine doit être utilisée et entretenue.

Les législations locales peuvent limiter l'utilisation de cette machine. Recherchez les législations applicables pour le lieu où vous travaillez avant d'utiliser la machine.

Droit de réserve du fabricant

Husqvarna peut éditer des informations complémentaires concernant l'utilisation de ce produit en toute sécurité après la publication du présent manuel. Il incombe au propriétaire de se tenir informé des méthodes d'utilisation les plus sûres.

Husqvarna AB travaille continuellement au développement de ses produits et se réserve le droit d'en modifier, entre autres, la conception et l'aspect sans préavis.

Pour obtenir des informations et une assistance client, contactez-nous via notre site Web : www.husqvarna.com

Conception et propriétés

Les produits Husqvarna se distinguent par des valeurs telles que la haute performance, la fiabilité, la technologie innovante, les solutions techniques de pointe et les considérations environnementales. Pour utiliser ce produit en toute sécurité, l'utilisateur doit lire le manuel avec attention. Contactez votre revendeur Husqvarna pour obtenir de plus amples informations.

Certaines des caractéristiques uniques de votre produit sont décrites ci-dessous.

Fonctions

Les produits Husqvarna se distinguent par des valeurs telles que la haute performance, la fiabilité, la technologie innovante, les solutions techniques de pointe et les considérations environnementales.

Certaines des caractéristiques uniques de votre produit sont décrites ci-dessous.

Soff-Cut 150

Système de découpe à sec de béton frais (Early Entry)

Le système breveté de découpe à sec de béton frais Soff-Cut contrôle le risque de fissures dans le béton par une découpe rapide, généralement dans un délai d'une ou deux heures après la fin du processus de finition.

Boîtier de blocage de la lame à faible émission de bruit et de poussière

Le bloc de lame breveté à faible émission de bruit et de poussière et la technologie de plaque de protection associés aux lames Husqvarna Excel permettent de scier le béton frais le jour même, tout en réduisant la fragmentation et l'éclatement.

Moteur Robin à faibles vibrations

Moteur Robin 3,2 kW à faibles vibrations avec filtre à air cyclonique et système d'alerte de niveau d'huile qui arrêtera le moteur si le niveau d'huile est trop bas. Démarrage pull-start facile.

Autres fonctions

- Style manuel par poussée avec commandes manuelles pour toutes les fonctions.
- Commande mécanique de la profondeur de la lame.
- Roues en polyuréthane sans traces et sans adhérence.
- Armature en une pièce très résistante.
- Guidon rabattable.
- Châssis caractéristique de style cage de roulement.
- Axe de sécurité breveté.
- Système de guide avant rétractable.

Soff-Cut 150 D

Scie de découpe décorative

La scie est conçue pour être une scie professionnelle de découpe décorative de béton économique, résistante et légère. Elle est recommandée pour des utilisations requérant une résistance légère à moyenne, sur des coupes décoratives, des voies d'accès ou des parcs de stationnement.

Lames série ProEdge

La gamme ProEdge est conçue pour des entailles d'architecture, en remplacement d'outils manuels demandant un travail intensif ; elle est idéale pour des applications résidentielles et commerciales.

Les lames sont utilisées pour ciseler des joints standard et transformer des joints de sciage déchetés, ébréchés ou dégradés en bords magnifiquement biseautés ou arrondis.

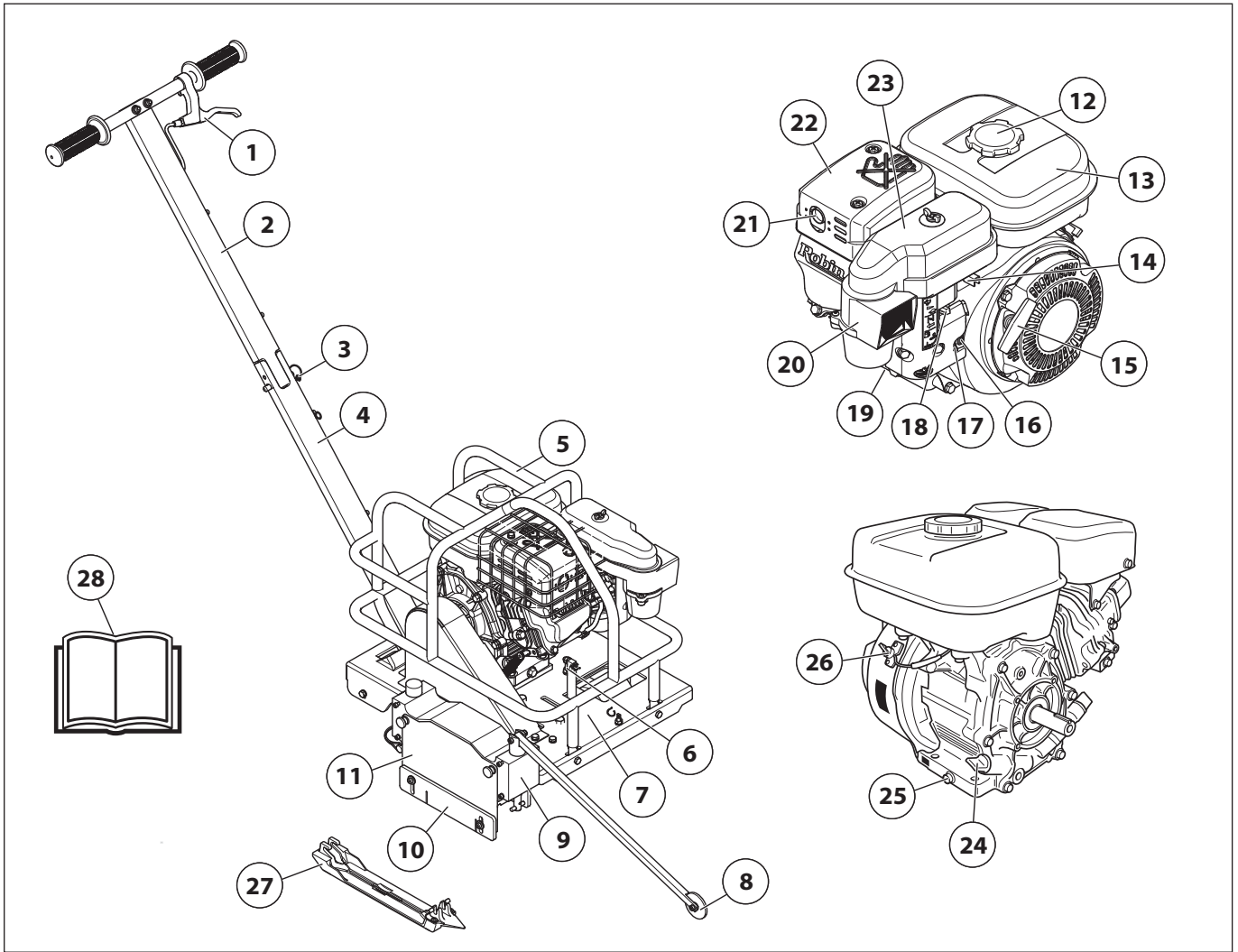
Moteur Robin à faibles vibrations

Moteur Robin 3,2 kW à faibles vibrations avec filtre à air cyclonique et système d'alerte de niveau d'huile qui arrêtera le moteur si le niveau d'huile est trop bas. Démarrage pull-start facile.

Autres fonctions

- Style manuel par poussée avec commandes manuelles pour toutes les fonctions.
- Commande mécanique de la profondeur de la lame.
- Roues en polyuréthane sans traces et sans adhérence.
- Armature en une pièce très résistante.
- Guidon rabattable.
- Châssis caractéristique de style cage de roulement.
- Axe de sécurité breveté.

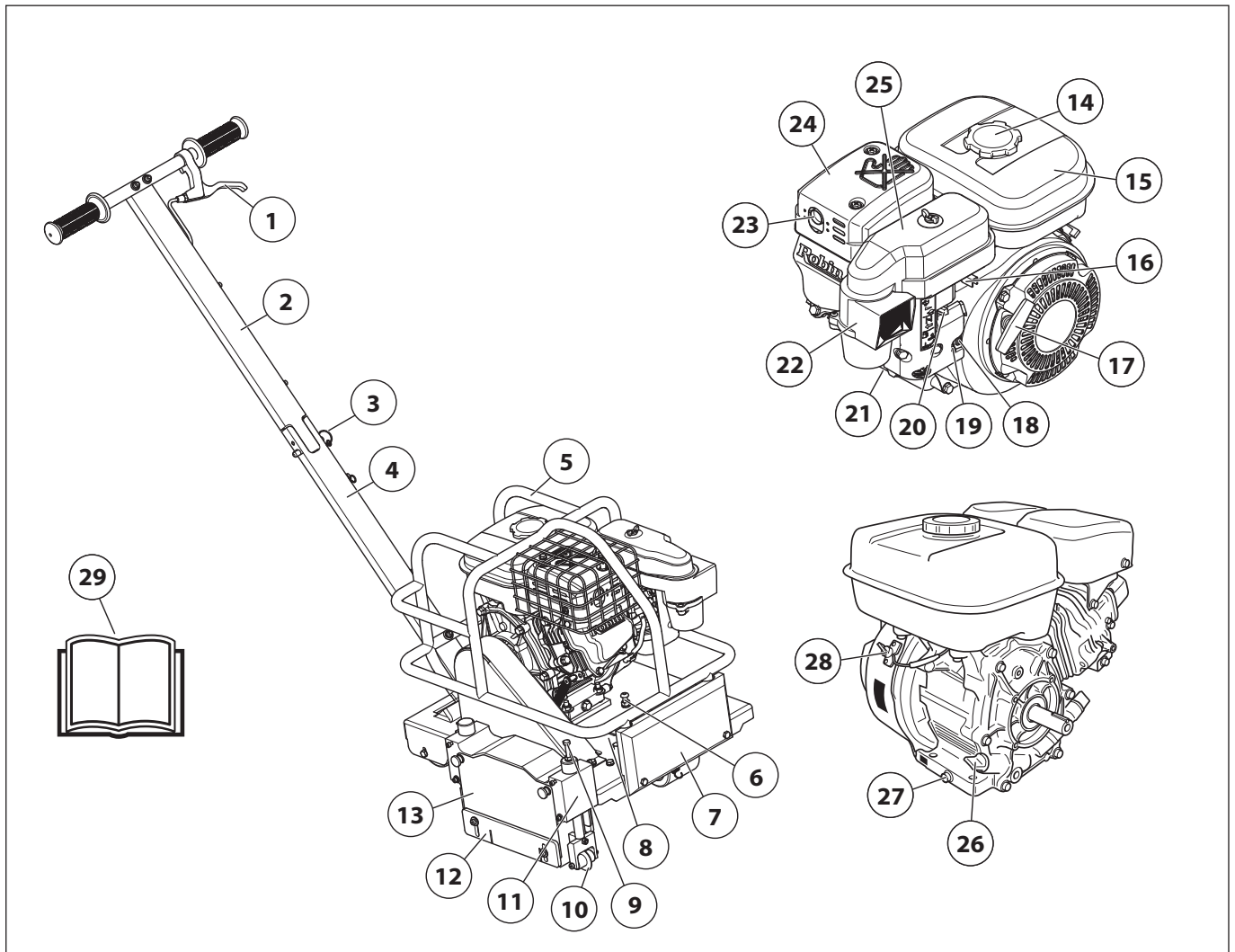
PRÉSENTATION



Quels sont les composants de la machine ? (Soff-Cut 150)

- | | |
|--------------------------------------|---|
| 1 Levier de débrayage de la lame | 15 Poignée de lanceur |
| 2 Poignée supérieure | 16 Robinet de carburant |
| 3 Goupille de blocage, poignée | 17 Cuvette de carburant |
| 4 Poignée inférieure | 18 Commande de starter |
| 5 Cage de roulement | 19 Carburateur |
| 6 Réglage de la butée de profondeur | 20 Préfiltre cyclonique |
| 7 Cadre de scie | 21 Orifice d'échappement |
| 8 Guide avant | 22 Capot de silencieux |
| 9 Bloc de lame | 23 Capot de silencieux |
| 10 Capot en Lexan | 24 Jauge/remplissage d'huile |
| 11 Protection de bloc de lame | 25 Bouchon de vidange |
| 12 Bouchon du réservoir de carburant | 26 Interrupteur de marche/arrêt |
| 13 Réservoir d'essence | 27 Plaque de protection (Non comprise). |
| 14 Commande de l'accélération | 28 Manuel d'utilisation |

PRÉSENTATION



Quels sont les composants de la machine ? (Soff-Cut 150 D)

- | | |
|--------------------------------------|---------------------------------|
| 1 Levier de débrayage de la lame | 16 Commande de l'accélération |
| 2 Poignée supérieure | 17 Poignée de lanceur |
| 3 Goupille de blocage, poignée | 18 Robinet de carburant |
| 4 Poignée inférieure | 19 Cuvette de carburant |
| 5 Cage de roulement | 20 Commande de starter |
| 6 Réglage de la butée de profondeur | 21 Carburateur |
| 7 Contrepoids | 22 Préfiltre cyclonique |
| 8 Cadre de scie | 23 Orifice d'échappement |
| 9 Vis de réglage de la plongée | 24 Capot de silencieux |
| 10 Roue de guidage avant | 25 Capot de silencieux |
| 11 Bloc de lame | 26 Jauge/remplissage d'huile |
| 12 Capot en Lexan | 27 Bouchon de vidange |
| 13 Protection de bloc de lame | 28 Interrupteur de marche/arrêt |
| 14 Bouchon du réservoir de carburant | 29 Manuel d'utilisation |
| 15 Réservoir d'essence | |

ÉQUIPEMENT DE SÉCURITÉ DE LA MACHINE

Généralités

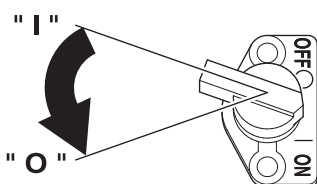


AVERTISSEMENT! Ne jamais utiliser une machine dont les équipements de sécurité sont défectueux. Si les contrôles ne donnent pas de résultat positif, confier la machine à un atelier spécialisé. Le moteur doit, sauf mention contraire, être éteint lors des opérations décrites dans ce chapitre.

Ce chapitre présente les équipements de sécurité de la machine, leur fonction, comment les utiliser et les maintenir en bon état.

Interrupteur de marche/arrêt

L'interrupteur de marche/arrêt sert à allumer et éteindre le moteur.

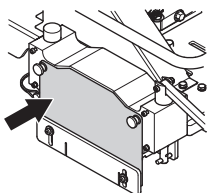


Contrôle de l'interrupteur de marche/arrêt

- Tournez l'interrupteur en position « ON » (position « 1 ») pour démarrer le moteur. La lame commence à tourner lorsque le moteur est allumé.
- Tournez l'interrupteur en position « OFF » (position « 0 »). Vérifiez que le moteur s'arrête.

Protection de bloc de lame

Le bloc de lame protège l'utilisateur de la lame en rotation et contrôle la poussière.

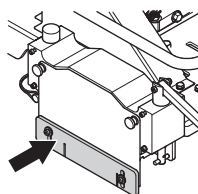


Contrôle de la protection du bloc de lame

- S'assurer que la protection est intacte et qu'elle ne présente pas de fissures. Remplacer la protection si elle a subi des coups ou si elle présente des fissures.
- Pour la sécurité de l'utilisateur, il convient de remplacer un bloc de lame endommagé.
- Toujours contrôler que la protection est montée correctement avant de démarrer la machine.

Capot en Lexan

- Le capot en Lexan contrôle principalement la poussière, mais aide également à détourner les éjections de particules.

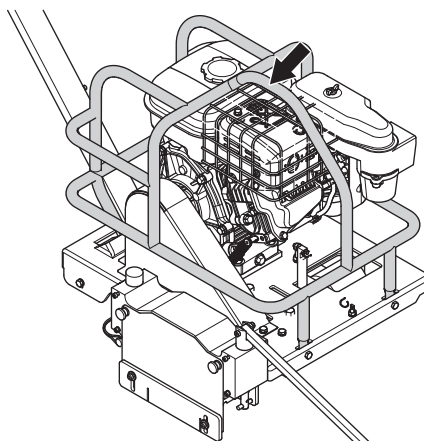


Contrôle du capot en Lexan

- S'assurer que la protection est intacte et qu'elle ne présente pas de fissures. Remplacer la protection si elle a subi des coups ou si elle présente des fissures.
- Toujours contrôler que la protection est montée correctement avant de démarrer la machine.
- Assurez-vous que le capot en Lexan bouge librement vers le haut et vers le bas.

Cage de roulement

La cage de roulement protège l'équipement/le moteur et l'utilisateur contre tout dommage.



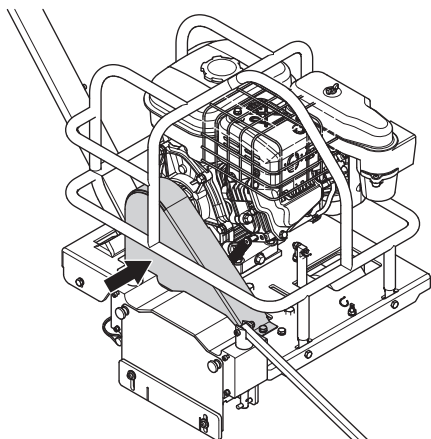
Contrôle de la cage de roulement

- S'assurer que la protection est intacte et qu'elle ne présente pas de fissures. Remplacer la protection si elle a subi des coups ou si elle présente des fissures.
- Toujours contrôler que la protection est montée correctement avant de démarrer la machine.

ÉQUIPEMENT DE SÉCURITÉ DE LA MACHINE

Protection de la courroie

Le carter de la courroie protège l'utilisateur contre les poulies et la courroie en rotation.

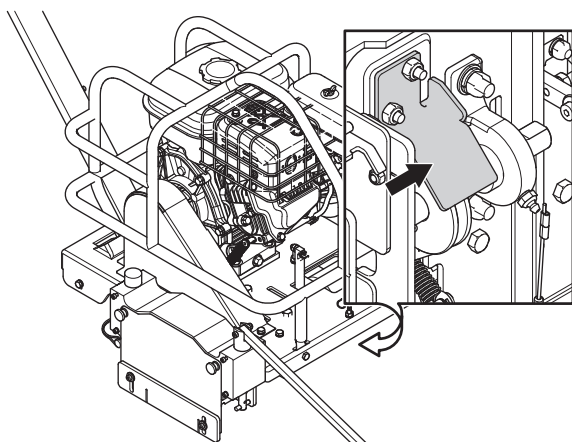


Contrôle du carter de la courroie

- S'assurer que la protection est intacte et qu'elle ne présente pas de fissures. Remplacer la protection si elle a subi des coups ou si elle présente des fissures.
- Toujours contrôler que la protection est montée correctement avant de démarrer la machine.

Protection de poulie

La protection de poulie protège l'utilisateur contre la poulie d'axe de lame en rotation.

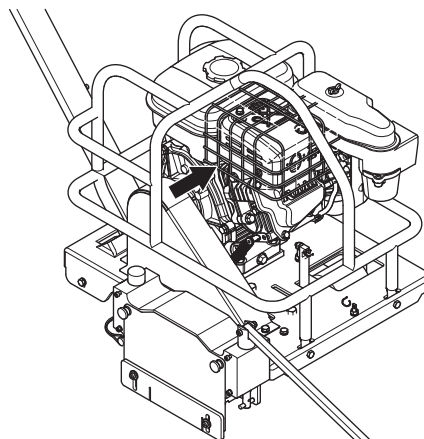


Contrôle de la protection de poulie

- S'assurer que la protection est intacte et qu'elle ne présente pas de fissures. Remplacer la protection si elle a subi des coups ou si elle présente des fissures.
- Toujours contrôler que la protection est montée correctement avant de démarrer la machine.

Protection de silencieux

La protection de silencieux empêche tout contact entre l'utilisateur et le silencieux brûlant.



Contrôle de la protection de silencieux

- S'assurer que la protection est intacte et qu'elle ne présente pas de fissures. Remplacer la protection si elle a subi des coups ou si elle présente des fissures.
- Toujours contrôler que la protection est montée correctement avant de démarrer la machine.

LAMES DIAMANT

Généralités



REMARQUE ! Vérifiez que la lame n'est pas endommagée, n'a pas perdu de morceaux et ne présente pas de fissure, de déformation, de surchauffe, d'usure excessive ou de dommages dans le trou de l'axe triangulaire. Mettez la lame au rebut si elle présente l'un ou l'autre de ces défauts.

Assurez-vous que sur la lame figure une vitesse maximale de fonctionnement supérieure à 4450 trs/min.

Soff-Cut 150

Utilisez uniquement des lames Husqvarna de la série Excel ou des lames d'une vitesse maximale de fonctionnement supérieure à 4450 trs/min.

Lames série Excel



REMARQUE ! Les lames diamant de la série Husqvarna Excel sont conçues pour couper uniquement du béton frais. Découper tout autre matériau peut entraîner des dysfonctionnements de la lame, voire s'avérer dangereux.

La série Excel est conçue spécialement pour le système Soff-Cut de découpe à sec de béton frais.

Ces lames spéciales sont conçues pour augmenter la vitesse et la durée de vie tout en découpant une large gamme d'agrégats.

Choisissez la lame convenant à votre application. En cas de doute sur la lame à utiliser, contactez votre service après-vente.

Excel 1000 violet	XL6-1000	Agrégat très dur et sable non abrasif.
Excel 2000 vert	XL6-2000	Agrégat dur à très dur et sable non abrasif.
Excel 3000 rouge	XL6-3000	Agrégat dur, sable moyennement abrasif.
Excel 4000 orange	XL6-4000	Agrégat moyennement dur, sable moyennement abrasif.
Excel 5000 jaune	XL6-5000	Agrégat moyennement dur à meuble, sable abrasif.
Excel 6000 noir	XL6-6000	Agrégat meuble, sable très abrasif.

Soff-Cut 150 D

Utilisez uniquement des lames Husqvarna ProEdge ou des lames d'une vitesse maximale de fonctionnement supérieure à 4450 trs/min.

Lames série ProEdge

La gamme ProEdge est conçue pour des entailles d'architecture, en remplacement d'outils manuels demandant un travail intensif ; elle est idéale pour des applications résidentielles et commerciales.

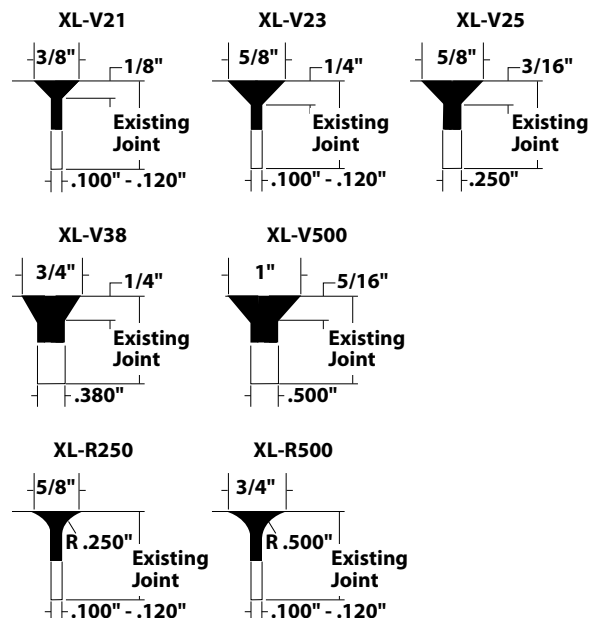
Les lames sont utilisées pour ciseler des joints standard et transformer des joints de sciage déchiquetés, ébréchés ou dégradés en bords magnifiquement biseautés ou arrondis.

La découpe des entailles avec des lames ProEdge débiterait au plus tôt le lendemain, après le placement du béton et la fabrication des joints de contrôle.

Choisissez la bonne spécification de lame, en fonction de votre application. En cas de doute sur la lame à utiliser, contactez votre service après-vente.

ProEdge V-blade	XL6-V21-D	Lame biseautée de 9,53 mm (3/8") pour entaille existante de 2,54 mm (0,100").
	XL6-V23-D	Lame biseautée de 15,88 mm (5/8") pour entaille existante de 2,54 mm (0,100").
	XL6-V25-D	Lame biseautée de 15,88 mm (5/8") pour entaille existante de 6,35 mm (0,250").
	XL6-V500-D	Lame biseautée de 25,4 mm (1") pour entaille existante de 12,7 mm (0,500").
ProEdge Radius blade	XL6-R250-D	Lame biseautée de 15,88 mm (5/8") pour entaille existante de 2,54 mm (0,100").
	XL6-R500-D	Lame biseautée de 19,1 mm (3/4") pour entaille existante de 2,54 mm (0,100").

La bonne spécification de la lame ProEdge se base comme suit sur la largeur du joint de contrôle préexistant :



Transport et rangement

- Démontez la lame avant de transporter ou de remiser la machine.
- Conserver la lame dans un endroit sec.
- Inspecter les nouvelles lames pour détecter tout dommage dû au transport ou à l'entreposage.

MONTAGE ET RÉGLAGES

Généralités



AVERTISSEMENT! Le moteur doit, sauf mention contraire, être éteint lors des opérations décrites dans ce chapitre. Retirez le câble d'allumage de la bougie pour éviter tout démarrage accidentel du moteur.

Déballage

- Retirez la vis de son emballage. La scie doit être soulevée à partir de la poignée centrale sur la cage de roulement.
- Mettez au rebut ou recyclez le matériau d'emballage, conformément aux réglementations locales en vigueur.
- Soff-Cut 150:** La scie ne comprend ni lame de découpe diamant ni plaque. Achetez une lame et une plaque de protection adaptées chez votre revendeur Husqvarna Construction Product.
- Soff-Cut 150 D:** La scie est fournie sans lame arrondie et sans lame biseautée. Achetez la lame appropriée chez votre revendeur Husqvarna Construction Product.

Monter la lame

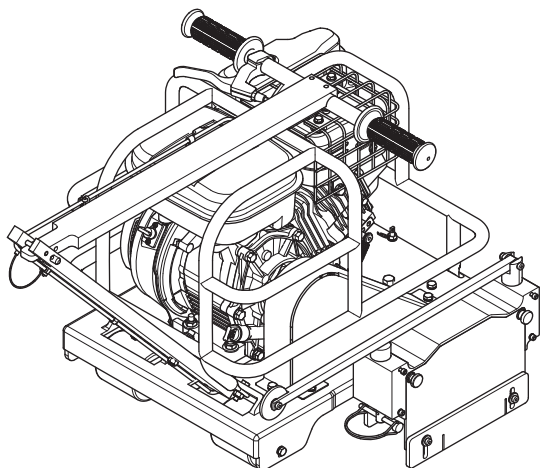


REMARQUE ! Vérifiez que la lame n'est pas endommagée, n'a pas perdu de morceaux et ne présente pas de fissure, de déformation, de surchauffe, d'usure excessive ou de dommages dans le trou de l'axe triangulaire. Mettez la lame au rebut si elle présente l'un ou l'autre de ces défauts.

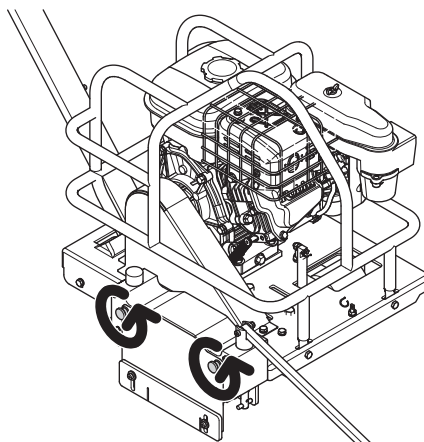
Assurez-vous que sur la lame figure une vitesse maximale de fonctionnement supérieure à 4450 trs/min.

Inspectez les brides de lame et vérifiez qu'elles ne présentent ni dommage ni usure excessive et qu'elles sont propres. La lame doit se positionner parfaitement sur un axe triangulaire propre et non endommagé.

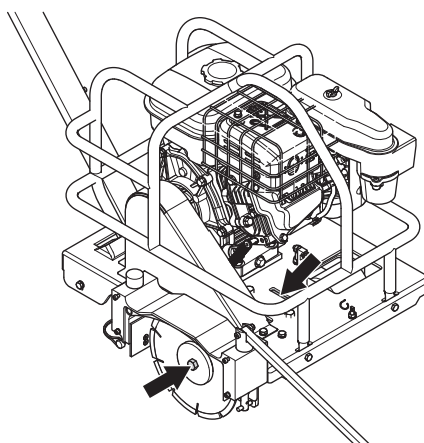
- Repliez la poignée entièrement en position droite.
- Insérez les goupilles de blocage.



- Soulevez la lame en appuyant sur la poignée avec les deux mains pour la mettre en position verrouillée.
- Retirez la protection de bloc de lame.



- Insérez l'une des deux clés mixtes fournies dans la fente à l'avant du moteur et l'autre dans le boulon d'axe de lame.



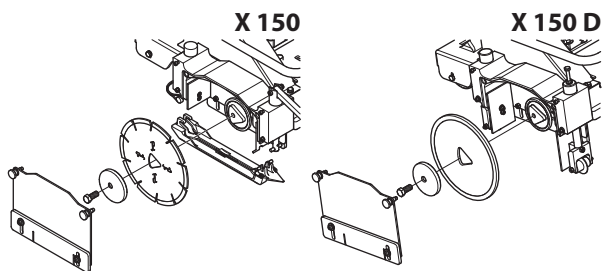
- Faites tourner l'axe de lame dans le sens inverse des aiguilles d'une montre avec la clé mixte sur le boulon d'axe de lame jusqu'à ce que la deuxième clé mixte engage les crans à l'autre extrémité de l'arbre.
- Retirez le boulon de l'axe de lame en continuant de le tourner dans le sens inverse des aiguilles d'une montre.
- Retirez la bride de lame extérieure.
- Soff-Cut 150:** Mettez l'ancienne plaque de protection au rebut.

ATTENTION ! La plaque de protection brevetée est la partie la plus importante du système Soff-Cut pour béton frais. Si elle est courbée, tordue ou endommagée, elle peut entraîner un éclatement ou un effilochage. Rangez les plaques de protection avec précaution et installez-les correctement. Installez une nouvelle plaque de protection avec chaque nouvelle lame. Ne réutilisez jamais une plaque de protection.

- Nettoyez minutieusement le béton de l'arbre, du bloc de lame et de la protection du bloc de lame.

MONTAGE ET RÉGLAGES

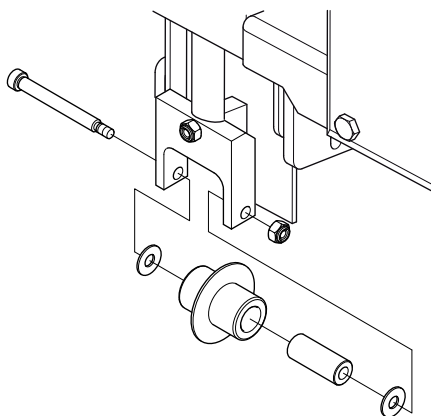
- Montez la lame propre sur l'axe de lame.



- Montez la bride de lame extérieure. Serrez fermement le boulon.
- Soff-Cut 150:** Installez une nouvelle plaque de protection. Accrochez l'avant de la plaque de protection sur le pivot de l'arbre du bloc de lame avant. Reliez l'arbre du bloc de lame arrière et l'arrière de la plaque de protection en installant la goupille de blocage.
- Montez la protection de bloc de lame. Serrez jusqu'à ce qu'elle soit parfaitement positionnée contre le bloc de lame.
- Soff-Cut 150:** Soulevez l'avant et l'arrière de la plaque de protection pour vous assurer que la lame glisse librement dans la plaque de protection.
- Assurez-vous que le capot en Lexan bouge librement vers le haut et vers le bas.

Remplacement des roues de guidage (Soff-Cut 150 D)

- Utilisez les roues de guidage de 1/4" (avant et arrière fournies avec la scie) lorsque vous réalisez des entailles de 1/4" avec la lame XL6-V25-D.
- Pour remplacer les roues de guidage, retirez l'écrou de verrouillage et faites glisser le boulon à épaulement pour le faire sortir.



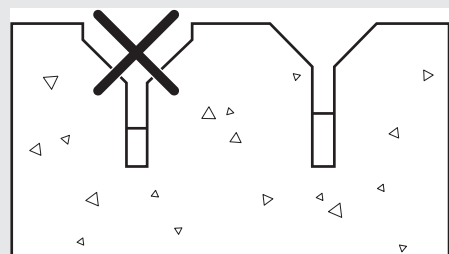
- Notez les rondelles et les autres pièces retirées, ainsi que l'ordre de montage.
- Faites glisser la rondelle en bronze à partir de l'intérieur de l'ancienne roue de guidage et insérez-la dans la nouvelle.
- Faites glisser la rondelle en bronze à partir de l'intérieur de l'ancienne roue de guidage et insérez-la dans la nouvelle.
- Il convient de remplacer à la fois les roues de guidage avant et arrière ; ne mélangez pas des roues de guidage de largeurs différentes.

- Installez les nouvelles roues de guidage à l'aide des mêmes boulons à épaulement, écrous de verrouillage et rondelles en plastique.
- Des roues de guidage d'un demi-pouce (non fournies avec la scie) sont également disponibles pour une utilisation avec la lame ProEdge XL6-V500-D, pour des entailles de 1/2".

Réglage de la profondeur de la lame (Soff-Cut 150 D)



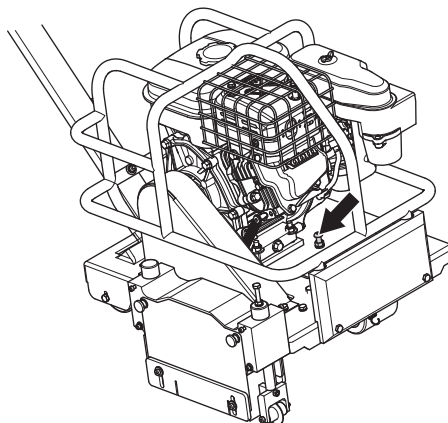
REMARQUE ! Pour permettre des performances optimales, la profondeur de découpe de la lame arrondie et de la lame en V est réglée au maximum en usine. Ne tentez pas les réglages suivants sauf si nécessaire. N'augmentez pas la profondeur. Vous obtiendriez une entaille biseautée « effet maison » non souhaitable.



Au moment de la livraison, la lame est pré-réglée à la bonne profondeur de coupe. Il ne vous faut procéder à aucun ajustement, ou le cas échéant uniquement à des ajustement minimes.

Réglage pour des entailles moins profondes (largeur inférieure).

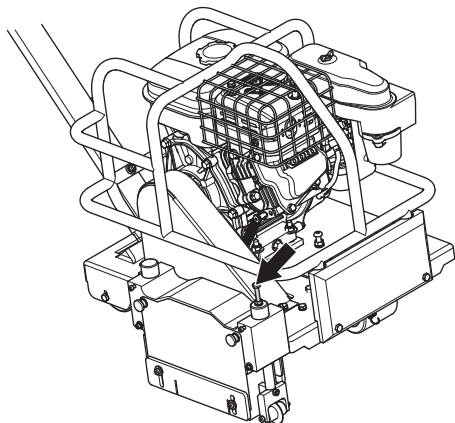
- Desserrez dans le sens inverse des aiguilles d'une montre l'écrou de blocage de la butée de réglage de la profondeur.



- Tournez le boulon de réglage de la butée de profondeur dans le sens des aiguilles d'une montre. Chaque tour complet du boulon de réglage de la profondeur réduira la largeur de découpe biseautée ou arrondie de 1/8".

MONTAGE ET RÉGLAGES

- Desserrez dans le sens inverse des aiguilles d'une montre l'écrou de blocage de réglage de la plongée. Assurez-vous que les roues arrière sont à plat sur le sol en appuyant dessus à l'arrière du châssis principal.



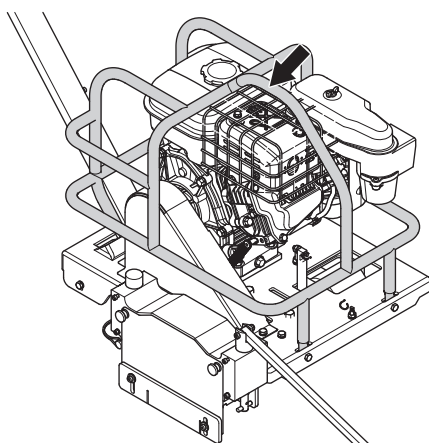
- Tournez à la main et dans le sens des aiguilles d'une montre la vis de réglage de la plongée jusqu'à ce qu'elle touche l'arbre de roue de guidage.
- Revenez un quart de tour en arrière (dans le sens inverse des aiguilles d'une montre) et verrouillez en serrant l'écrou de blocage du réglage de la plongée.
- Entaillez un joint de scie existant d'environ 30 cm pour vérifier que cela produit une découpe décorative adéquate.

Contrôles pré-opérationnels

Le moteur est livré sans huile. Corriger le niveau d'huile moteur en en ajoutant. Consulter les caractéristiques techniques pour obtenir des recommandations sur le type d'huile qu'il convient d'utiliser.

Transport

- Retirez la goupille de blocage.
- Pliez la poignée vers l'avant.
- Repliez le bras de guidage.
- La scie doit être soulevée à partir de la poignée centrale sur la cage de roulement.



MANIPULATION DU CARBURANT

Généralités



AVERTISSEMENT! Faire tourner un moteur dans un local fermé ou mal aéré peut causer la mort par asphyxie ou empoisonnement au monoxyde de carbone. Utilisez des ventilateurs pour assurer une bonne circulation de l'air lorsque vous travaillez dans des tranchés ou des fossés d'une profondeur supérieure à un mètre.

Le carburant et les vapeurs de carburant sont très inflammables et peuvent causer des blessures graves en cas d'inhalation ou de contact avec la peau. Il convient donc d'observer la plus grande prudence lors de la manipulation du carburant et de veiller à disposer d'une bonne aération.

Les gaz d'échappement du moteur sont très chauds et peuvent contenir des étincelles pouvant provoquer un incendie. Par conséquent, ne jamais démarrer la machine dans un local clos ou à proximité de matériaux inflammables!

Ne fumez jamais ni ne placez d'objet chaud à proximité du carburant.

Carburant

Utilisez de l'essence sans plomb d'un octane d'au moins 87.

L'essence sans plomb de plus de 10% d'éthanol ne devrait pas être utilisée.. Elle pourrait provoquer des problèmes de démarrage et/ou de performances. Elle pourrait aussi endommager les pièces du système de carburant en métal, en caoutchouc et en plastique, mais également entraîner un risque d'incendie.

N'utilisez pas d'essence contenant du méthanol.

N'utilisez pas de carburant ayant dépassé 30 jours. Du vieux carburant peut causer des problèmes de fonctionnement, mais également endommager le système de carburant.

Remplissage de carburant



AVERTISSEMENT! Arrêter le moteur et le laisser refroidir pendant quelques minutes avant de faire le plein. Procédez au remplissage dans un endroit bien aéré. Ne remplissez jamais la machine à l'intérieur.

Ouvrir le bouchon du réservoir lentement pour laisser baisser la surpression pouvant régner dans le réservoir. Ne remplissez pas trop le réservoir de carburant.

Nettoyez le pourtour du bouchon de réservoir.

Serrer soigneusement le bouchon du réservoir après le remplissage. Contrôlez qu'il n'y a aucune fuite de carburant.

Toute négligence peut entraîner le départ d'un incendie.

Sortez la machine du véhicule et remplissez-la sur le sol. Si cela vous est impossible, remplissez l'équipement avec un bidon portatif, plutôt qu'à partir d'un pistolet de distributeur d'essence.

Utilisez uniquement des bidons approuvés pour l'essence.

Ne remplissez jamais un bidon à l'intérieur d'un véhicule. Placez toujours le bidon sur le sol et loin de votre véhicule lorsque vous le remplissez.

Laissez le pistolet en permanence en contact avec le bord de l'ouverture du réservoir de carburant ou du bidon, jusqu'à ce que le plein d'essence soit terminé. N'utilisez pas un pistolet avec un dispositif de blocage en position ouverte.

Ne jamais démarrer la machine:

- Si du carburant ou de l'huile moteur ont été répandus sur la machine. Essuyer soigneusement toutes les éclaboussures et laisser les restes d'essence s'évaporer.
- Si vous avez renversé du carburant sur vous ou sur vos vêtements, changez de vêtements. Lavez les parties du corps qui ont été en contact avec le carburant. Utilisez de l'eau et du savon.
- S'il y a fuite de carburant. Vérifier régulièrement que le bouchon du réservoir et la conduite de carburant ne fuient pas.

Mise au rebut

Les liquides usagés tels que l'huile moteur, l'antigel, etc. constituent un danger pour la santé et ne doivent pas être déversés sur le sol ou dans la nature ; il convient de les confier à un atelier ou à une déchetterie appropriée.

Transport et rangement

Transporter et ranger la machine et le carburant de façon à éviter que toute fuite ou émanation éventuelle entre en contact avec une flamme vive ou une étincelle: machine électrique, moteur électrique, contact/interrupteur électrique ou chaudière.

Lors du stockage et du transport de carburant, toujours utiliser un récipient homologué et conçu à cet effet.

Remisage prolongé

Lors des remisages de la machine, vider le réservoir de carburant. S'informer auprès d'une station-service comment se débarrasser du carburant résiduel.

COMMANDE

Équipement de protection

Généralités

- Ne jamais utiliser une machine s'il n'est pas possible d'appeler au secours en cas d'accident.

Équipement de protection personnelle

Un équipement de protection personnelle homologué doit impérativement être utilisé lors de tout travail avec la machine. L'équipement de protection personnelle n'élimine pas les risques mais réduit la gravité des blessures en cas d'accident. Demander conseil au concessionnaire afin de choisir un équipement adéquat.



AVERTISSEMENT! L'utilisation de produits tels que des ciseaux, des disques, des forets, des disques fins ou des formes peut générer de la poussière et des vapeurs pouvant contenir des substances chimiques toxiques. Vérifiez la composition du matériel avec lequel vous travaillez et portez un masque respiratoire adapté.

Une exposition prolongée au bruit risque de causer des lésions auditives permanentes. Toujours utiliser des protecteurs d'oreille agréés. Soyez toujours attentifs aux signaux d'alerte ou aux appels en portant des protège-oreilles. Enlevez-les sitôt le moteur arrêté.

Toujours utiliser:

- Casque de protection homologué
- Protecteur d'oreilles
- Des protège-yeux homologués.
- Masque respiratoire
- Gants solides permettant une prise sûre.
- Vêtements confortables, robustes et serrés qui permettent une liberté totale de mouvement.
- Bottes avec coquille en acier et semelle antidérapante
- Portez des gants de travail en caoutchouc pour éviter tout contact avec du béton humide qui pourrait causer de graves irritations de la peau.

Attention! Les habits, les cheveux longs et les bijoux peuvent se coincer dans les parties en mouvement.

Autre équipement de protection



REMARQUE ! Lorsque vous travaillez avec la machine, des étincelles peuvent se former et mettre le feu. Gardez toujours à portée de main les outils nécessaires à l'extinction d'un feu.

- Extincteur
- Une trousse de premiers secours doit toujours être disponible.

Instructions générales de sécurité



AVERTISSEMENT! Lire toutes les consignes et instructions de sécurité. Le non-respect des consignes et instructions peut provoquer une électrocution, un incendie et/ou des blessures graves.

Le présent chapitre décrit les consignes de sécurité de base relatives à l'utilisation de la machine. Aucune de ces informations ne peut remplacer l'expérience et le savoir-faire d'un professionnel.

- Lire attentivement et bien assimiler le manuel d'utilisation avant d'utiliser la machine.
- N'oubliez pas que c'est vous, l'opérateur, qui êtes responsable de protéger les tiers et leurs biens de tout accident ou danger.
- Tous les opérateurs doivent recevoir une formation sur l'utilisation de la machine. Il incombe au propriétaire de garantir que les opérateurs reçoivent une formation.
- La machine doit rester propre. Les signes et autocollants doivent être parfaitement lisibles.



AVERTISSEMENT! La machine utilisée de manière imprudente ou inadéquate peut devenir un outil dangereux, pouvant causer des blessures graves voire mortelles à l'utilisateur et aux autres personnes présentes.

Ne jamais permettre à des enfants ou à des personnes ne possédant pas la formation nécessaire d'utiliser ou d'entretenir la machine.

Ne jamais laisser d'autres personnes utiliser la machine sans s'être assuré au préalable que ces personnes ont bien compris le contenu du mode d'emploi.

N'utilisez jamais la machine si vous êtes fatigué, avez bu de l'alcool ou pris des médicaments susceptibles d'affecter votre vue, votre jugement ou la maîtrise de votre corps.

COMMANDE



AVERTISSEMENT! Toute modification non autorisée et/ou tout emploi d'accessoires non homologués peuvent provoquer des accidents graves voire mortels pour l'utilisateur et les autres. Ne jamais modifier sous aucun prétexte la machine sans l'autorisation du fabricant.

Ne modifiez jamais cette machine de façon à ce qu'elle ne soit plus conforme au modèle d'origine et n'utilisez jamais une machine qui semble avoir été modifiée.

Ne jamais utiliser une machine qui n'est pas en parfait état de marche. Appliquer les instructions de maintenance et d'entretien ainsi que les contrôles de sécurité indiqués dans ce manuel d'utilisation. Certaines mesures de maintenance et d'entretien doivent être confiées à un spécialiste dûment formé et qualifié. Voir les instructions à la section Maintenance.

N'utiliser que des accessoires et des pièces d'origine.



AVERTISSEMENT! Cette machine génère un champ électromagnétique en fonctionnement. Ce champ peut dans certaines circonstances perturber le fonctionnement d'implants médicaux actifs ou passifs. Pour réduire le risque de blessures graves ou mortelles, les personnes portant des implants médicaux doivent consulter leur médecin et le fabricant de leur implant avant d'utiliser cette machine.

Utilisez toujours votre bon sens

Il est impossible de mentionner toutes les situations auxquelles vous pouvez être confronté. Soyez toujours vigilant et utilisez l'appareil avec bon sens. Si vous êtes confronté à une situation où vous pensez ne pas être en sécurité, arrêtez immédiatement et consultez un spécialiste. Veuillez contacter votre revendeur, votre atelier de réparation ou un utilisateur expérimenté. Il convient d'éviter tous les travaux pour lesquels vous ne vous sentez pas suffisamment qualifié !

Sécurité du travail

Sécurité dans l'espace de travail

- **Maintenir un espace de travail propre et bien éclairé.** Les espaces encombrés ou sombres exposent à des accidents.
- Définissez et délimitez la zone de risque. Veiller à ce qu'aucune personne non autorisée ne se trouve dans la zone à risque.
- Des personnes ou des animaux peuvent détourner l'attention de l'opérateur et l'amener à perdre le contrôle de la machine. C'est pourquoi l'opérateur doit toujours être attentif et concentré sur son travail.
- Ne pas travailler par mauvais temps: brouillard épais, pluie diluvienne, vent violent, grand froid, etc. Travailler par mauvais temps est fatiguant et peut créer des conditions de travail dangereuses telles que le verglas.

- Ne jamais commencer à travailler avec la machine sans avoir le champ libre et les pieds bien daplomb.

Sécurité du personnel

- N'utilisez jamais la machine si vous êtes fatigué, avez bu de l'alcool ou pris des médicaments susceptibles d'affecter votre vue, votre jugement ou la maîtrise de votre corps.
- Évitez tout démarrage accidentel. Vérifiez que l'interrupteur est en position OFF.
- Vérifiez qu'aucun outil ou autre objet n'a été posé sur la machine.
- Ne laissez jamais quelqu'un utiliser la machine sans avoir reçu la formation adéquate.
- Éteignez toujours la machine lors de pauses prolongées.
- Ne travaillez jamais seul, mais toujours avec une personne à proximité.
- Apprendre à utiliser la machine et ses commandes de manière sûre et apprendre à arrêter rapidement la machine. Apprendre également à reconnaître les autocollants de sécurité.
- Ne vous éloignez pas trop. Restez toujours en équilibre et sur vos appuis.

Utilisation et entretien

- L'expérience est primordiale lors de l'utilisation de la machine. Une personne qualifiée est grandement recommandée.
- Procédez toujours à la maintenance quotidienne avant de démarrer le moteur. Voir les instructions au chapitre « Entretien ».
- La machine est conçue pour des applications industrielles et destinée à des opérateurs expérimentés.
- Ne faites fonctionner la scie que positionné derrière la machine, les deux mains sur la poignée.
- Soyez prudent lors de charges et de décharges et lorsque vous manœuvrez la machine sur des rampes.
- N'utilisez pas la machine comme véhicule, pour le transport de personnes ou d'équipements.
- Ne vous mettez jamais debout sur la machine.
- Ne sollicitez pas la machine excessivement. Une surcharge peut endommager la machine.
- Utilisez toujours des outils aiguisés et propres pour augmenter la sécurité pendant le travail.
- Assurez-vous que toutes les pièces sont en état de fonctionnement et que tous les éléments de fixation sont correctement serrés.
- Ne laissez jamais la machine sans surveillance avec le moteur en marche.
- Assurez-vous que la lame n'entre pas en contact avec le sol ou avec toute autre surface lorsque vous manœuvrez la scie.
- Évitez d'entrer en ligne directe avec la lame ou de toucher la lame lorsqu'elle est en rotation.

COMMANDE

Techniques de travail de base

Joint de retrait de sciage

Lorsque le béton s'hydrate ou durcit et commence à se fixer, il développe des tensions internes qui peuvent entraîner un risque de fissures.

Ce risque remet en question la qualité du béton et suggère d'éventuels défauts. Les joints de retrait sont coupés dans du béton afin de soulager ces tensions avant que celles-ci ne se brisent sous la forme de fissures.

Le système Soff-Cut Ultra pour béton frais contrôle le risque de fissures par une planification précoce des entailles à des endroits prédéterminés pour créer des plans moins résistants dans le béton, qui se fissureront ensuite dans le bas des entailles pour relâcher la tension.

Les joints de retrait sciés Husqvarna doivent atteindre au minimum un huitième de la profondeur du béton et une profondeur minimale de 25 mm.

Les joints de retrait doivent être sciés dès que le béton supporte le poids de la scie et de l'utilisateur sans marquer ou endommager le béton.

La structure du joint offre de nombreuses possibilités. La structure du joint doit être transmise par le fournisseur de la scie qui doit proposer une structure détaillée du joint avant la découpe.

Plusieurs facteurs influencent l'espacement des joints, notamment :

- L'épaisseur du béton.
- Le type, la quantité et l'emplacement du renforcement.
- La capacité de retrait du ciment-béton (type, quantité), l'agrégat (taille, quantité, qualité), le rapport eau/ciment, les adjuvants, la température du béton.
- La friction à la base.
- Les contraintes de plaque.
- La structure des fondations, crémaillères, fosses, blocs d'équipement, tranchées, etc.
- Les facteurs environnementaux : température, vent, humidité.
- La méthode et la qualité du durcissement du béton.

Généralement, les modèles de joints de retrait doivent diviser les plaques en panneaux de forme plus ou moins carrée, conformément à l'espacement recommandé indiqué.

Espacement recommandé des joints de retrait

Épaisseur du béton, mm (pouces)	Espacement maximum, m (pds)
90 (3.5)	2,4 (8)
100, 114 (4, 4.5)	3,0 (10)
125, 140 (5, 5.5)	3,6 (12)
150 (6) ou plus	4,5 (15)

Sur toutes les entailles concourantes, installez des protections de joint Husqvarna sur chaque joint pour éviter de les endommager. Installez une protection supplémentaire à l'endroit où la roue droite croise le joint, pour ne pas endommager le béton.

Maximiser le système Soff-Cut

« La planification des opérations avec béton, particulièrement la finition et le jointage, est cruciale... Une mauvaise gestion peut donner lieu à des défauts indésirables de la surface d'usure, notamment des fissures... » (Extrait de l'avant-propos de l'American Concrete Institute (ACI) 302.1 R-96.)

Le système breveté Soff-Cut pour béton frais a révolutionné la méthode utilisée pour contrôler le risque de fissures.

Pour permettre à l'opérateur d'effectuer un bon travail avec le système Soff-Cut, les critères suivants doivent être réunis :

- Une scie de découpe à sec vers le haut Soff-Cut pour béton frais.
- Une lame diamant de découpe à sec Husqvarna série Excel.
- Une plaque de protection anti-effilochure Husqvarna installée avec chaque nouvelle lame diamant.
- Un utilisateur qualifié pour l'utilisation du système de découpe de béton frais Soff-Cut.

Sans cela, il n'est pas possible de couper les joints de façon assez précise pour contrôler le risque de fissures avant le démarrage et donc de fournir au propriétaire du bâtiment ce pour quoi il paie.

La spécification 302.1R-96 de l'ACI est très claire sur la question :

« Les scies de découpe à sec de béton frais utilisent des lames imprégnées diamant et une plaque de protection qui aide à prévenir les éclatements. Il convient de changer à temps les plaques de protection pour contrôler efficacement les éclatements. Il est préférable de changer les plaques de protection conformément aux recommandations du fabricant... L'objectif de la découpe à la scie est de créer un plan moins résistant dès que le joint peut être découpé... La planification du processus pour béton frais permet aux joints d'être en place avant le développement d'une contrainte de traction importante dans le béton... »

Le bulletin d'informations de la Portland Cement Association (PCA), Concrete Floors on the ground, indique également :

« Un jointage effectué correctement permet d'éliminer le risque de fissures disgracieuses. Pour réaliser un bon jointage, il faut choisir le type de joint adéquat pour chaque endroit, établir un bon modèle et une bonne structure de joint, et poser le joint au moment opportun... Le moment de découpe des joints est capital... Des scies pour béton frais légères et rapides ont été développées pour permettre de scier des joints très vite après la finition du sol, parfois dans les deux heures... si l'entaille est sciée dans les heures qui suivent la finition, il est possible de contrôler le risque de fissures... »

Husqvarna propose le seul système de découpe à sec de béton frais (Soff-Cut) qui contrôle le risque de fissures grâce à une planification rapide de l'entaille. Avec la méthode brevetée Soff-Cut, les joints de contrôle sont généralement coupés dans les deux heures qui suivent le processus de finition.

La découpe des joints doit commencer dès que le béton supporte le poids de la scie et de l'utilisateur à chaque emplacement de joint et avant la fixation finale.

La découpe des joints hors de ce laps de temps constitue un non-respect de la méthode pour béton frais Soff-Cut.

Transport et rangement



REMARQUE ! La scie doit être soulevée à partir de la poignée centrale sur la cage de roulement.

- Si deux personnes soulèvent la scie, utilisez la barre de cage de roulement de chaque côté de la scie et soulevez avec les deux mains.
- Rangez toujours la scie en position complètement baissée et empêchez-la de bouger.
- Fermez le robinet de carburant.
- Sécurisez l'équipement lors du transport afin d'éviter tout dommage ou accident.
- Stockez l'équipement dans un endroit verrouillé afin de le maintenir hors de portée des enfants et de toute personne incompétente.
- Démontez la lame avant de transporter ou de remiser la machine.
- Rangez la machine et ses équipements dans un endroit sec et à l'abri du gel.

Démarrage et arrêt

Avant de démarrer la machine



AVERTISSEMENT! Lire attentivement et bien assimiler le manuel d'utilisation avant d'utiliser la machine.

Utiliser les équipements de protection personnelle. Voir au chapitre "Équipement de protection personnelle".

Veiller à ce qu'aucune personne non autorisée ne se trouve dans la zone de travail pour éviter le risque de blessures graves.

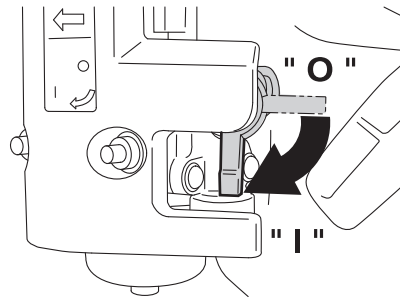
Vérifiez que les dispositifs de protection sont correctement montés et ne présentent aucun dommage. Voir instructions aux rubriques « Équipement de sécurité de la machine » et « Montage et réglages ».

- Effectuez un entretien quotidien. Voir les instructions au chapitre « Entretien ».
- Vérifiez que la poignée est entièrement relevée et tournée.
- Vérifiez que le guide avant est tourné en position avant.

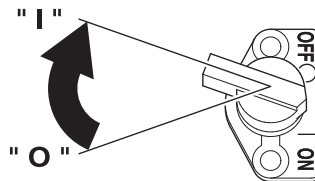
Démarrage

Démarrer le moteur

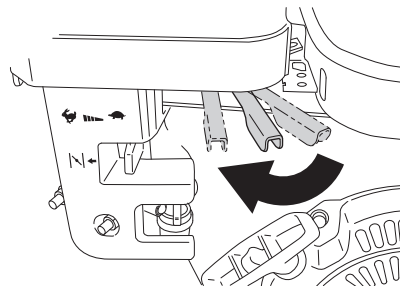
- Ouvrez le robinet de carburant.



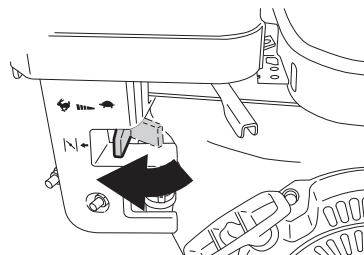
- Soulevez la lame en appuyant sur la poignée avec les deux mains pour la mettre en position verrouillée.
- Tournez l'interrupteur en position « ON » (position « 1 ») pour démarrer le moteur. La lame commence à tourner lorsque le moteur est allumé.



- Déplacez le levier de vitesse d'1/3 vers la position ouverte.



- Fermez le levier du starter du moteur.



La position fermée du starter enrichit le mélange de carburant pour démarrer un moteur froid.

La position ouverte du starter fournit le bon mélange de carburant pour une utilisation une fois le moteur démarré et pour un redémarrage avec moteur chaud.

- Tirer la poignée du lanceur.
- Après le démarrage du moteur, ouvrez lentement le starter. Laissez le moteur chauffer pendant quelques minutes.

COMMANDE

Amorçage de la découpe

Soff-Cut 150

- Ouvrez le levier d'accélération du moteur en position entièrement ouverte, pour une vitesse du moteur maximale.
- Alignez la scie avec la ligne de découpe à l'aide de la roue blanche sur le guide avant et du pointeur triangulaire à l'arrière du bloc de lame.
- Appuyez sur la poignée de la scie et tirez sur le levier de débrayage de la lame pour descendre doucement la lame dans le béton.
- Poussez la scie vers l'avant pour couper, tout en maintenant la roue de guidage avant dans la ligne de découpe.
- Poussez la scie à environ demi-vitesse pour les 15 premiers mètres, pour permettre à la lame de donner une bonne exposition du diamant.
- Augmentez la vitesse avant de la scie jusqu'à ce que la lame et le moteur fonctionnent avec une efficacité maximale. Ne forcez pas la scie.
- Lorsque vous vous approchez d'un mur, levez le guide avant et utilisez le guide triangulaire à l'arrière du bloc de lame pour couper les derniers centimètres.
- Ne frappez pas le bloc de lame contre un autre objet. Vous risqueriez de l'endommager.

Soff-Cut 150 D

- Ouvrez le levier d'accélération du moteur en position entièrement ouverte, pour une vitesse du moteur maximale.
- Alignez la roue de guidage arrière avec l'entaille préexistante.
- Appuyez sur la poignée de la scie et tirez sur le levier de débrayage de la lame pour baisser doucement la scie et descendre la roue de guidage arrière, puis la roue de guidage avant, dans l'entaille.

Remarque: Ne baissez pas complètement la scie et la lame dans le béton avant que les roues de guidage avant et arrière ne soient vraiment alignées dans l'entaille.
- Une fois que les roues de guidage sont dans l'entaille, descendez complètement la scie pour commencer à ciseler le joint.
- Ciselez un joint existant d'environ trente centimètres et vérifiez l'alignement lame/roue de guidage et la qualité de l'entaille de décoration réalisée.
- Augmentez la vitesse avant de la scie jusqu'à ce que la lame et le moteur fonctionnent avec une efficacité maximale. Ne forcez pas la scie.
- Maintenez une vitesse régulière ; si vous poussez la scie trop vite, vous risquez de faire déraiper la lame hors du joint et d'entraîner un biseautage irrégulier.
- Ne frappez pas le bloc de lame contre un autre objet. Vous risqueriez de l'endommager.

Arrêt

- Soulevez la lame en appuyant sur la poignée avec les deux mains pour la mettre en position verrouillée.
- Mettez le levier d'accélération du moteur en position entièrement fermée.
- Tournez l'interrupteur en position « OFF » (position « 0 »).
- Fermez le robinet de carburant.
- Nettoyez la machine.

ENTRETIEN

Généralités



AVERTISSEMENT! L'utilisateur ne peut effectuer que les travaux d'entretien et de révision décrits dans ce manuel d'utilisation. Les mesures plus importantes doivent être effectuées dans un atelier d'entretien agréé.

Le moteur doit, sauf mention contraire, être éteint lors des opérations décrites dans ce chapitre.

Utiliser les équipements de protection personnelle. Voir au chapitre "Équipement de protection personnelle".

La durée de vie de la machine risque d'être écourtée et le risque d'accidents accru si la maintenance de la machine n'est pas effectuée correctement et si les mesures d'entretien et/ou de réparation ne sont pas effectuées de manière professionnelle. Pour obtenir de plus amples informations, contacter l'atelier de réparation le plus proche.

Faites régulièrement contrôler la machine par votre revendeur Husqvarna afin qu'il procède aux installations et réparations adéquates.

Schéma d'entretien

Le calendrier de maintenance vous indique quelles pièces de la machine nécessitent un entretien et à quelle fréquence cet entretien doit avoir lieu. La fréquence est calculée en fonction de l'utilisation quotidienne de la machine, et peut varier en fonction du degré d'utilisation.

	Entretien Quotidien	Entretien hebdomadaire/40 heures	Entretien mensuel/200 heures
Nettoyage	Nettoyage extérieur	Filtre à air	Cuvette de carburant
		Bougie	
Contrôle	Inspection générale	Courroie d'entraînement	Bougie et écartement des électrodes
	Plaque de protection		
	Capot en Lexan*		
	Protection de bloc de lame*		
	Lame**		
	Niveau de carburant***		
	Niveau d'huile		
Remplacement		Huile (Après les 20 premières heures, puis toutes les 100 heures)	Élément de filtre à air
Graissage		Roulements de l'axe de lame	

*Voir instructions à la rubrique « Équipement de sécurité de la machine ».

** Voir instructions aux rubriques « Lames » et « Montage et réglages ».

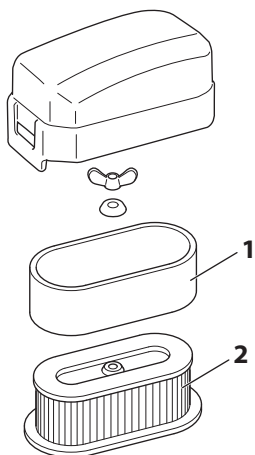
***Voir instructions au chapitre « Manipulation du carburant ».

Nettoyage

Nettoyage extérieur

- Nettoyer la machine quotidiennement en la rinçant à l'eau propre une fois le travail terminé. Maintenir les poignées propres et sèches.
- Nettoyez le bloc de lame pour éviter toute accumulation excessive de béton après chaque utilisation. Utilisez une brosse manuelle résistante ou un pinceau large.
- Si du carburant ou de l'huile moteur ont été répandus sur la machine. Essuyer soigneusement toutes les éclaboussures et laisser les restes d'essence s'évaporer.
- Maintenez toutes les ouvertures et fentes sur la scie propres et ouvertes de façon à ce que l'air circule librement dans le compartiment du moteur, afin d'assurer un refroidissement adéquat.

Filtre à air



- Nettoyez la mousse d'uréthane filtre (1) avec du détergent. Laissez le filtre sécher.
- Nettoyez le filtre papier (2) en tapant doucement pour retirer les saletés et faire sortir la poussière.

Bougie

- Vérifiez que le chapeau de bougie et le câble d'allumage ne sont pas endommagés afin d'éviter tout risque de choc électrique.
- Nettoyez les dépôts de carbone sur l'électrode de bougie à l'aide d'un nettoyeur de bougie ou d'une brosse métallique.

Cuvette de carburant

- Vérifiez que la cuvette de carburant ne contient ni eau ni saletés.
- Pour retirer l'eau et les saletés, fermez le robinet de carburant et retirez la cuvette de carburant.
- Une fois les saletés et l'eau retirées, nettoyez la cuvette de carburant avec du kérosène ou de l'essence.
- Procédez correctement à la réinstallation de façon à éviter toute fuite.

Contrôle

Inspection générale

- S'assurer que toutes les vis et tous les écrous sont bien serrés.
- Vérifier les fuites éventuelles d'essence et d'huile.
- **Soff-Cut 150 D**: Vérifiez que les roues de guidage avant et arrière tournent librement.

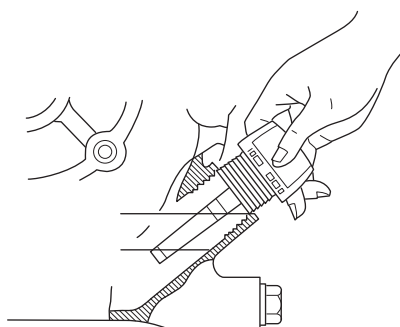
Plaque de protection (Soff-Cut 150)

- Vérifiez que la rainure de lame ne présente ni dommages ni usure excessive.
- Détectez toute bavure sur la surface de béton et toute déformation.
- Installez une nouvelle plaque de protection avec chaque nouvelle lame. Ne réutilisez jamais une plaque de protection.

- Soulevez l'avant et l'arrière de la plaque de protection pour vous assurer que la lame glisse librement dans la plaque de protection.

Niveau d'huile

- Arrêtez le moteur.
- Baissez la machine et assurez-vous que le moteur est au niveau.
- Retirez le couvercle du réservoir d'huile et nettoyez la jauge.
- Contrôler le niveau d'huile. Ne vissez pas la jauge d'huile dans le goulot de remplissage d'huile pour vérifier le niveau d'huile.



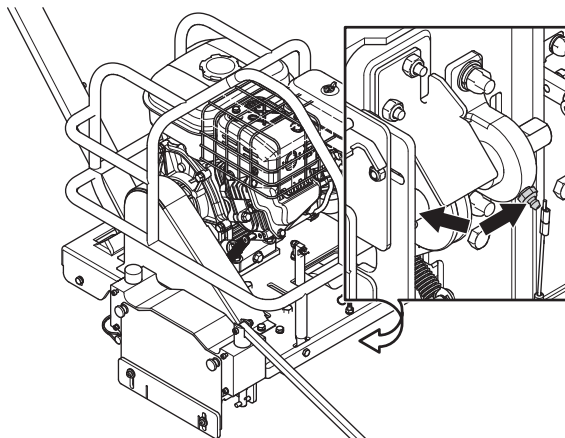
- Si le niveau d'huile est bas, remplir d'huile moteur jusqu'au niveau supérieur de la jauge d'huile. Voir instructions du chapitre « Caractéristiques techniques » pour les spécifications d'huile.
- Visser le couvercle de remplissage d'huile.

Courroie d'entraînement

- Contrôler que la courroie d'entraînement est intacte et ne présente pas de défauts.
- La tension de la courroie est contrôlée par le tendeur de courroie et ne nécessite aucun réglage.
- Vérifiez que le tendeur de courroie se déplace librement vers le haut et vers le bas.
- Assurez-vous que les paliers du tendeur de courroie tournent librement.

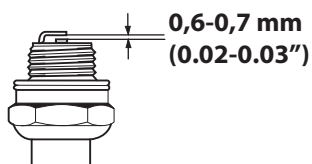
Roulements de l'axe de lame

- Lubrifiez les roulements de l'axe de lame avec trois pompes de graisse à base de Lithium 12.



Bougie et écartement des électrodes

- Voir instructions de nettoyage au chapitre « Nettoyage ».
- Vérifiez l'écartement des électrodes. Il doit se situer entre 0,6 mm et 0,7 mm.



- Ajustez si nécessaire l'écartement en courbant l'électrode latérale.

Remplacement

Huile

Changez l'huile après les 20 premières heures d'utilisation, puis toutes les 100 heures.

Change the engine oil while the engine is hot.

- Arrêtez le moteur.
- Placez un bac sous la vidange et retirez le bouchon.
- Laisser couler l'huile dans le récipient.
- Replacer le bouchon puis remplir avec de la nouvelle huile.
- Lorsque le réservoir est plein, le niveau d'huile doit se situer à la marque supérieure de la jauge.

Capteur d'huile

Le moteur est équipé d'un système d'alerte de niveau d'huile qui arrête le moteur si le niveau d'huile est trop bas.

Il est impossible de démarrer le moteur sans faire passer le niveau au-dessus du seuil prescrit.

Mise au rebut

Les liquides usagés tels que l'huile moteur, l'antigel, etc. constituent un danger pour la santé et ne doivent pas être déversés sur le sol ou dans la nature ; il convient de les confier à un atelier ou à une déchetterie appropriée.

Élément de filtre à air

Voir instructions de nettoyage au chapitre « Nettoyage ».

- Remplacez le filtre tous les mois ou plus souvent si nécessaire.

Informations supplémentaires relatives au moteur

Veillez vous référer au manuel d'utilisation pour de plus amples informations sur l'entretien du moteur.

Le manuel fournit également des informations particulières sur les spécifications, les pièces de mise au point, la garantie moteur, le respect des normes en matière d'émissions, etc.

RECHERCHE DE PANNES

Plan de recherche de pannes



AVERTISSEMENT! La plupart des accidents impliquant des machines se produisent lors de dépannages, de réparations ou de travaux d'entretien, lorsque qu'un membre du personnel doit pénétrer dans la zone de risque de la machine. Prévenez des accidents en étant attentif et en planifiant et préparant le travail.
Le moteur doit, sauf mention contraire, être éteint lors des opérations décrites dans ce chapitre.

La scie effectue des entailles éclatées et biseautées (Soff-Cut 150)	Vérifiez que la lame diamant n'est pas usée, glacée, déformée ou endommagée.
	Assurez-vous que la plaque de protection se déplace librement vers le haut et vers le bas, tout le long de l'arbre, sans toucher la lame diamant.
	Vérifiez l'usure de la plaque de protection et l'écartement autour de la lame diamant.
	Vérifiez que la partie inférieure de la plaque de protection ne présente ni bavures métalliques ni irrégularités.
	Assurez-vous que la plaque de protection n'est ni tordue ni courbée.
	Vérifiez que les capots en Lexan se déplacent librement vers le haut et vers le bas.
	Vérifiez la pression vers le bas par ressort à chaque extrémité de la plaque de protection.
	Ne tournez pas la scie et ne la déplacez pas vers le côté pendant la découpe. Modifiez progressivement la pression sur le guidon pour contrôler la scie dans l'entaille.
	Vérifiez que le moteur tourne correctement et à plein régime.
	Contrôlez la tension du tendeur de courroie et de la courroie.
	Assurez-vous que la lame diamant est montée correctement et sécurisée avec des brides propres.
	Assurez-vous que la lame diamant a la bonne spécification en fonction de votre région.
	Vérifiez que la plaque est propre et qu'aucuns débris ne pourraient soulever la plaque de protection ou la scie pendant la découpe.
	Utilisez les protections articulaires Husqvarna à toutes les intersections d'entailles.
	Nettoyez le surplus de béton du bloc de lame.
	Vérifiez que les grattoirs dans le bloc de lame ne sont ni courbés ni grippants.
Assurez-vous que les arbres de bloc de lame ne sont pas courbés ou endommagés.	
Découpe biseautée ou arrondie inconsistante (Soff-Cut 150 D)	Vérifiez que la lame diamant n'est pas usée, glacée, déformée ou endommagée.
	Assurez-vous que les roues de guidage avant et arrière peuvent se déplacer librement vers le haut et vers le bas sans gripper.
	Assurez-vous que les roues de guidage avant et arrière peuvent tourner librement.
	Ne poussez pas la scie trop vite. Une découpe trop rapide aura pour conséquence de faire déraper la lame hors du béton.
	Assurez-vous que les roues de guidage sont alignées avec l'entaille préexistante avant de démarrer.
	Vérifiez que les entailles existantes sont propres et exemptes de tout débris.
	Vérifiez que les capots en Lexan se déplacent librement vers le haut et vers le bas.
	Vérifiez la pression vers le bas par ressort à chaque extrémité de la plaque de protection.
	Ne tournez pas la scie et ne la déplacez pas vers le côté pendant la découpe. Modifiez progressivement la pression sur le guidon pour contrôler la scie dans l'entaille.
	Vérifiez que le moteur tourne correctement et à plein régime.
	Contrôlez la tension du tendeur de courroie et de la courroie.
	Assurez-vous que la lame diamant est montée correctement et sécurisée avec des brides propres.
	Assurez-vous que la plaque est propre et exempte de débris qui pourraient soulever la scie pendant la découpe.
	Nettoyez le surplus de béton du bloc de lame.
	Vérifiez que les grattoirs dans le bloc de lame ne sont ni courbés ni grippants.
	Assurez-vous que les arbres de bloc de lame ne sont pas courbés ou endommagés.
Recoupez le joint dans la direction opposée.	

RECHERCHE DE PANNES

La scie tire d'un côté pendant la découpe	Soff-Cut 150:
	Vérifiez que le guide avant est correctement aligné avec le centre de la lame diamant.
	Soff-Cut 150 D:
	Vérifiez que le guide avant et arrière est correctement aligné avec le centre de la lame diamant.
	Vérifiez que la lame diamant n'est pas usée, glacée, déformée ou endommagée.
	Ne tournez pas la scie et ne la déplacez pas vers le côté pendant la découpe. Modifiez progressivement la pression sur le guidon pour contrôler la scie dans l'entaille.
	Assurez-vous que toutes les roues tournent librement et sans à-coups.
	Ne forcez pas la scie. Laissez la lame diamant couper à sa propre vitesse.
	Soff-Cut 150:
Vérifiez que la plaque de protection ne présente ni dommages ni bavures.	
Le moteur ne démarre pas	Vérifiez qu'il y a du carburant dans le réservoir et qu'il s'agit du bon type de carburant. Assurez-vous de l'absence d'eau dans le carburant.
	Vérifiez que le robinet de carburant est tourné en position « ON ».
	Vérifiez que l'interrupteur de marche/arrêt est en position « ON ».
	Vérifiez que le câble de bougie est relié à la bougie.
	Le moteur est noyé. Réglez le starter conformément au manuel d'utilisation du moteur.
	Vérifiez que le starter est en position « ON » pour des démarrages à froid. Réglez le starter conformément au manuel d'utilisation du moteur.
	Le niveau d'huile est trop bas. Le moteur est équipé d'un système d'alerte de niveau d'huile qui ne laissera pas le moteur démarrer si le niveau d'huile du moteur ne se situe pas à l'intérieur de la plage correcte.
	Vérifiez que le filtre à air n'est pas sale ou bouché.
Vérifiez que l'axe de lame tourne librement et que du béton ne s'est pas accumulé dans le bloc de lame.	
Le moteur tourne difficilement, produit un retour de flamme ou ne parvient pas à atteindre le plein régime.	Vérifiez qu'il y a du carburant dans le réservoir et qu'il s'agit du bon type de carburant. Assurez-vous de l'absence d'eau dans le carburant.
	Le niveau d'huile est trop bas. Le moteur est équipé d'un système d'alerte de niveau d'huile qui ne laissera pas le moteur démarrer si le niveau d'huile du moteur ne se situe pas à l'intérieur de la plage correcte.
	Vérifiez que le filtre à air n'est pas sale ou bouché.
	Vérifiez que la bougie est propre et l'écartement correct.
	Vérifiez que le levier d'accélération est réglé correctement.
	Vérifiez que le starter est en position « ON » pour des démarrages à froid. Réglez le starter conformément au manuel d'utilisation du moteur.

CARACTÉRISTIQUES TECHNIQUES

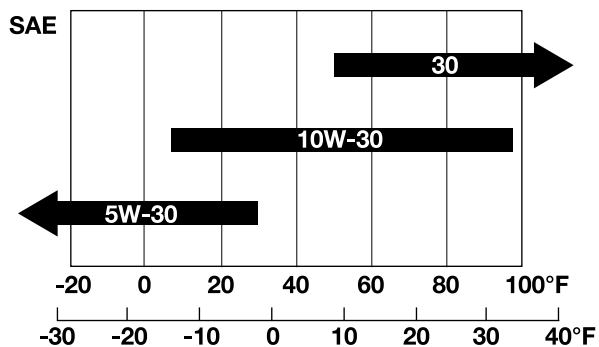
Caractéristiques techniques

Moteur

Modèle	Subaru Robin EX 13
Type	Moteur à essence refroidi à l'air, à 4 cycles, cylindre incliné unique, arbre à cames en tête.
Émissions	Conformes à la Phase 2 de l'EPA et aux réglementations américaines CARB Tier II.
Puissance de sortie max. du moteur , hp/kW (voir remarque 1)	4,3hp@4000rpm (3,2kW@4000rpm)
Capacité du réservoir de carburant, l (gallons)	2,7 (0.7)
Filtre à air	Type cyclonique (Élément double de type sec avec préfiltre)
Refroidissement	Air refroidi avec des ailettes de refroidissement internes et externes.
Bougie	NGK BR-6HS (CHAMPION RL86C)
Système d'huile	Système d'alerte de niveau d'huile avec détecteur automatique commandant l'arrêt.
Volume du réservoir d'huile, l (quarts)	0,6 (0.6)
Type d'huile	Huile détergente automobile 4 temps de la classe de service API SE ou supérieure.

Remarque 1 : Remarque 1 : Tel que spécifié par le fabricant du moteur. La puissance des moteurs indiquée est la puissance de sortie moyenne nette (aux tours par minute spécifiés) d'un moteur de production type pour le modèle de moteur, mesurée selon la norme ISO3046. Les moteurs de production en série peuvent varier de cette valeur. La puissance de sortie réelle du moteur installé dans la machine finale dépend de la vitesse de fonctionnement, des conditions environnementales et d'autres variables.

Viscosité - huile



Poids et dimensions

	Soff-Cut 150	Soff-Cut 150 D
Poids, sans carburant, kg (livres)	38 (84)	44 (96)
Poids, avec carburant, kg (livres)	41 (91)	47 (104)
Longueur (poignée repliée), mm (pouces)	864 (34)	864 (34)
Largeur, mm (pouces)	483 (19)	483 (19)
Hauteur, mm (pouces)	533 (21)	533 (21)

CARACTÉRISTIQUES TECHNIQUES

Lame

	Soff-Cut 150	Soff-Cut 150 D
Type de lame	Lames Excel, découpe à sec avec axe triangulaire	Lames arrondies et biseautées ProEdge
Matériau	Béton frais uniquement	Joint de contrôle uniquement sur béton durci
Dimension max. de lame, mm (pouces)	152 (6)	152 (6)
Profondeur max. de découpe, mm (pouces)	30 (1 3/16)	30 (1 3/16)
Distance de découpe à partir du mur, mm (pouces)	76 (3)	114 (4 1/2)
Rotation de lame	Dans le sens inverse des aiguilles d'une montre, découpe vers le haut	Dans le sens inverse des aiguilles d'une montre, découpe vers le haut
Vitesse d'axe de lame, trs/min	4450 (Moyenne 3 800)	4450 (Moyenne 3 800)
Commande de la profondeur de la lame	Manuel	Manuel

Taux de découpe moyen

Il s'agit uniquement d'une estimation. La vitesse dépendra des conditions de travail effectives et des mélanges de béton.

Agrégats meubles, m/min (pds/min)	3,7 (12)
Agrégats moyens, m/min (pds/min)	2,4 (8)
Agrégats durs, m/min (pds/min)	1,2 (4)

ACLARACION DE LOS SIMBOLOS

Símbolos en la máquina

¡ATENCIÓN! La máquina, si se utiliza de forma errónea o descuidada, puede ser una herramienta peligrosa que puede causar daños graves e incluso la muerte al usuario y a otras personas.



Lea detenidamente el manual de instrucciones y asegúrese de entender su contenido antes de utilizar la máquina.



Mantenga todas las partes de su cuerpo apartadas de las superficies calientes.



Los gases del motor contienen monóxido de carbono que puede provocar intoxicación. Por eso, nunca arranque ni haga funcionar la máquina en ambientes cerrados, o cuando no exista una buena circulación de aire.



Apague el motor y deje que se enfríe unos minutos antes de repostar.



Está prohibido encender fuego, llamas abiertas o fumar.



On (Arrancar)

Off (Detener)



Aceite de motor



Nivel de aceite demasiado bajo. Llénelo con aceite de motor hasta el nivel adecuado.

Los demás símbolos/etiquetas que aparecen en la máquina corresponden a requisitos de homologación específicos en determinados mercados.

AVISO JUNTA DE RECURSOS DEL AIRE DE CALIFORNIA (CARB): Esta máquina está considerada una aplicación de prevención según las normativas de la CARB. La EPA de EE. UU. es la única autoridad facultada para establecer normativas sobre emisiones para equipos de construcción de prevención. Si desea más información, consulte www.arb.ca.gov/msprog/offroad/preempt.htm

! ATTENTION!

Los gases de escape del motor de este producto contienen sustancias químicas conocidas en el Estado de California como causantes de cáncer, defectos congénitos y otros daños reproductivos.

Explicación de los niveles de advertencia

Las advertencias se clasifican en tres niveles.

¡ATENCIÓN!



¡ATENCIÓN! Indica un riesgo de daños graves para el usuario o incluso muerte, o bien daños al entorno, si no se siguen las instrucciones del manual.

¡NOTA!



¡NOTA! Indica un riesgo de lesiones para el usuario o daños al entorno si no se siguen las instrucciones del manual.

AVISO

AVISO Indica un riesgo de daños en los materiales o en la máquina si no se siguen las instrucciones del manual.

Antes de arrancar, observe lo siguiente:



¡ATENCIÓN! El material que se corta a menudo contiene sílice y, al cortarlo en SECO particularmente, desprende polvo. La sílice es un componente básico de la arena, la arcilla para ladrillos, del cuarzo, del granito, y de varios otros minerales y rocas. La exposición a una cantidad excesiva de polvo de sílice puede causar:

Enfermedades respiratorias (que afectan su habilidad para respirar) como bronquitis crónicas, silicosis y fibrosis pulmonares por exposición a la sílice. Estas enfermedades pueden ser mortales.

Irritación y erupción de la piel.

Cáncer, según el Programa Nacional de Toxicología (NTP) y el Centro Internacional de Investigaciones sobre el Cáncer (IARC).

Tome medidas de precaución:

Evite el contacto de la piel con el polvo, vapor y humo, y su inhalación.

Use, y asegúrese de que quienes lo rodean usen, indumentaria de protección del aparato respiratorio como las mascarillas antipolvo diseñadas para filtrar partículas microscópicas. (Consulte las normas de la OSHA: 29 CFR Parte 1910.1200.)

Corte en húmedo, en la medida de lo posible, para minimizar la cantidad de polvo.

Índice

ACLARACION DE LOS SIMBOLOS

Símbolos en la máquina	50
Explicación de los niveles de advertencia	50

INDICE

Índice	51
--------------	----

PRESENTACIÓN

Apreciado cliente:	52
Diseño y funciones	52
Características	52

PRESENTACIÓN

¿Qué es qué en la máquina?	54
----------------------------------	----

PRESENTACIÓN

¿Qué es qué en la máquina?	55
----------------------------------	----

EQUIPO DE SEGURIDAD DE LA MÁQUINA

Generalidades	56
---------------------	----

HOJAS DE DIAMANTE

Generalidades	58
Soff-Cut 150	58
Soff-Cut 150 D	58
Transporte y almacenamiento	59

MONTAJE Y AJUSTES

Generalidades	60
Desembalaje	60
Monte el disco	60
Sustitución de las ruedas guía	61
Ajuste de la profundidad de la cuchilla	61
Comprobaciones previas a la operación	62
Transporte	62

MANIPULACION DEL COMBUSTIBLE

Generalidades	63
Carburante	63
Repostaje	63
Eliminación	63
Transporte y almacenamiento	63

FUNCIONAMIENTO

Equipo de protección	64
Instrucciones generales de seguridad	64
Seguridad en el trabajo	65
Transporte y almacenamiento	67
Arranque y parada	67

MANTENIMIENTO

Generalidades	69
Programa de mantenimiento	69
Limpieza	69
Comprobar	70
Cambio	71
Más información sobre el motor	71

LOCALIZACIÓN Y CORRECCIÓN DE AVERÍAS

Tabla de localización de fallos	72
---------------------------------------	----

DATOS TECNICOS

Datos técnicos	74
----------------------	----

PRESENTACIÓN

Apreciado cliente:

Gracias por elegir un producto Husqvarna.

Esperamos que su máquina le proporcione plena satisfacción y le sirva de ayuda por mucho tiempo en adelante. La adquisición de alguno de nuestros productos da acceso a asistencia profesional con reparaciones y servicio. Si la máquina no fue adquirida en un distribuidor oficial, preguntar en la tienda de compra la dirección del taller de servicio más cercano.

Este manual de instrucciones es un documento importante. Procure tenerlo siempre a mano en el lugar de trabajo. Siguiendo sus instrucciones (de uso, servicio, mantenimiento etcétera) puede alargar considerablemente la vida útil de la máquina e incrementar su valor de reventa. Si vende su máquina, entregue el manual de instrucciones al nuevo propietario.

Más de 300 años de innovación

La fundación de la empresa sueca Husqvarna AB data del año 1689, cuando el Rey Karl XI encargó la construcción de una fábrica para la fabricación de mosquetes. En ese momento se establecieron los cimientos de la experiencia tecnológica en la que se basan muchos de los productos punteros en el mundo en el sector de las armas de caza, bicicletas, motocicletas, electrodomésticos, máquinas de coser y productos para exteriores.

Husqvarna es líder internacional en productos motorizados para exteriores destinados a la silvicultura, el mantenimiento de parques y el cuidado del césped y del jardín, así como equipos de corte y herramientas de diamante para el sector de la construcción y la piedra.

Responsabilidad del propietario

El propietario / empresario es el responsable de asegurarse de que el usuario tiene los conocimientos necesarios para utilizar la máquina con seguridad. Los supervisores y los usuarios deben haber leído y entendido el manual de instrucciones. Deben tener conocimiento de lo siguiente:

- Las instrucciones de seguridad de la máquina.
- Las aplicaciones y las limitaciones de la máquina.
- El modo de uso y de mantenimiento de la máquina.

La utilización de esta máquina podría estar restringida por regulaciones locales. Infórmese sobre las regulaciones vigentes en el lugar donde trabaja antes de empezar a utilizar la máquina.

Los derechos que se reserva el fabricante.

Tras la publicación de este manual, Husqvarna podría publicar información adicional para el funcionamiento seguro de este producto. Es responsabilidad del propietario mantenerse informado de los métodos de funcionamiento más seguros.

Husqvarna AB trabaja constantemente para perfeccionar sus productos y se reserva, por lo tanto, el derecho a introducir modificaciones en la construcción y el diseño sin previo aviso.

Para recibir información y atención como cliente, póngase en contacto con nosotros a través de nuestro sitio web: www.husqvarna.com

Diseño y funciones

El alto rendimiento, la fiabilidad, la tecnología innovadora, las soluciones técnicas avanzadas y el respeto medioambiental son los valores que caracterizan a los productos de Husqvarna. El usuario debe leer este manual detenidamente para garantizar un funcionamiento seguro del producto. Póngase en contacto con su concesionario o con Husqvarna si necesita más información.

A continuación se describen algunas de las características únicas de su producto.

Características

El alto rendimiento, la fiabilidad, la tecnología innovadora, las soluciones técnicas avanzadas y el respeto medioambiental son los valores que caracterizan a los productos de Husqvarna.

A continuación se describen algunas de las características únicas de su producto.

Soff-Cut 150

Sistema de corte seco Early Entry

El sistema de corte seco patentado Soff-Cut Ultra Early Entry controla las grietas aleatorias del hormigón mediante el cronometraje previo del corte de la sierra, normalmente entre una y dos horas después de concluirse el proceso de acabado.

Caja del bloque de la cuchilla (silenciosa y antipolvo)

La tecnología patentada del bloque de la cuchilla (silenciosa y antipolvo) y la plancha protectora permite realizar, junto con las cuchillas Excel de Husqvarna, el serrado de Ultra Early Entry el mismo día, reduciendo al máximo el desbaste y las gravillas.

Motor Robin de baja vibración

Motor Robin de 3,2 kW y baja vibración, con filtro de aire ciclónico y sistema de aviso de aceite, que detiene el motor cuando el nivel de aceite es demasiado bajo. Arranque sencillo.

Características adicionales

- Estilo de presión manual, con controles manuales para todas las funciones.
- Control mecánico de la profundidad de la cuchilla.
- Ruedas de poliuretano antiadherentes que no dejan marcas.
- Bastidor de una sola pieza y gran resistencia.
- Mango plegable.
- Armazón distintivo tipo «paleta de rodillo».
- Mandril de seguridad patentado.
- Sistema de guía frontal retráctil.

Soff-Cut 150 D

Sierra decorativa

Sierra cortadora de hormigón diseñada para resultar económica, duradera, ligera y decorativa. Está recomendada para cortes decorativos y serrado de entradas y aparcamientos de intensidad entre ligera y media.

Cuchillas serie ProEdge

La línea ProEdge ha sido diseñada para el ranurado arquitectónico, sustituyendo al utillaje manual de uso intensivo, y es ideal para aplicaciones residenciales y comerciales.

Las cuchillas se utilizan para cincelar juntas estándar: convierten las juntas irregulares, astilladas o melladas en bonitos bordes biselados o en radio.

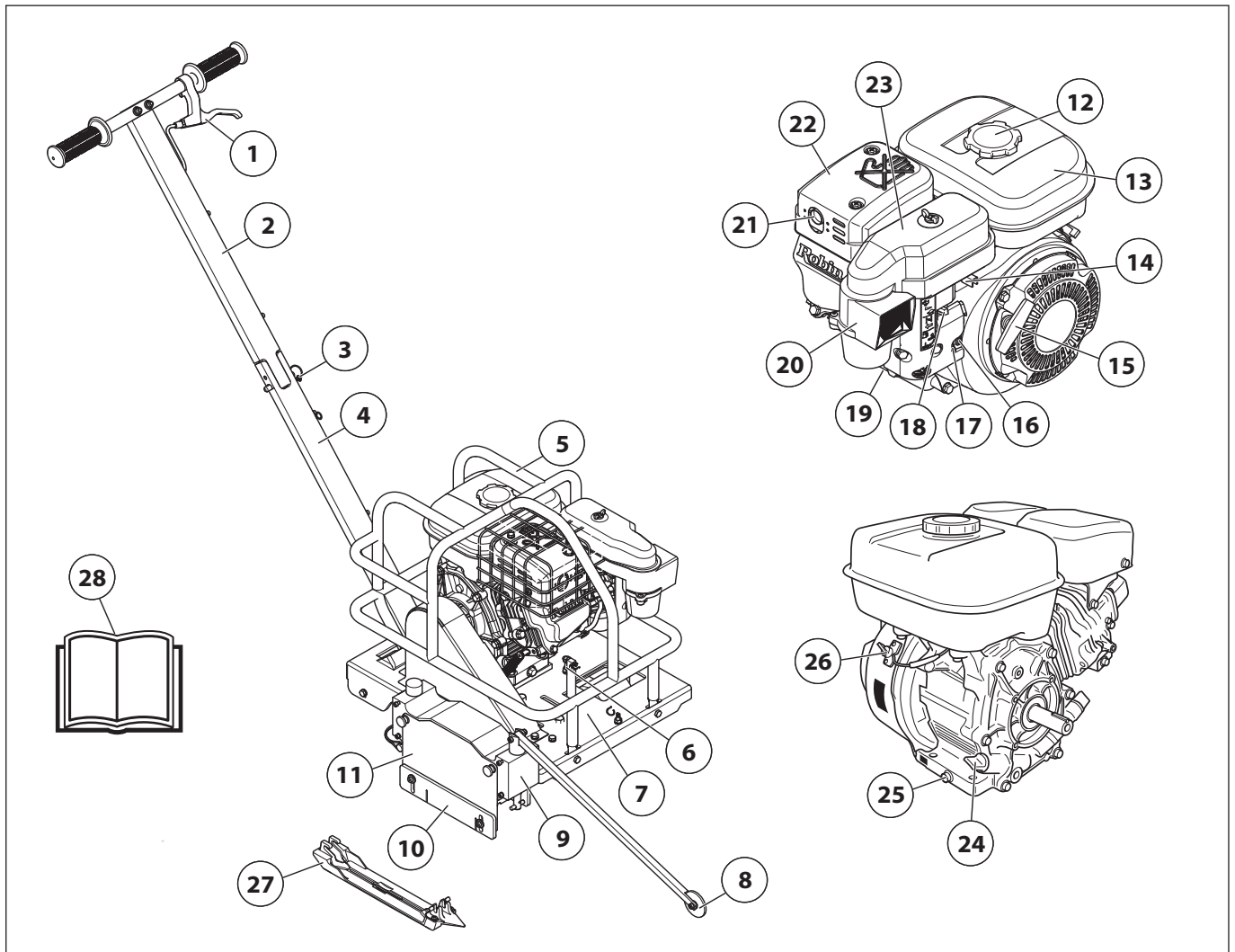
Motor Robin de baja vibración

Motor Robin de 3,2 kW y baja vibración, con filtro de aire ciclónico y sistema de aviso de aceite, que detiene el motor cuando el nivel de aceite es demasiado bajo. Arranque sencillo.

Características adicionales

- Estilo de presión manual, con controles manuales para todas las funciones.
- Control mecánico de la profundidad de la cuchilla.
- Ruedas de poliuretano antiadherentes que no dejan marcas.
- Bastidor de una sola pieza y gran resistencia.
- Mango plegable.
- Armazón distintivo tipo «paleta de rodillo».
- Mandril de seguridad patentado.

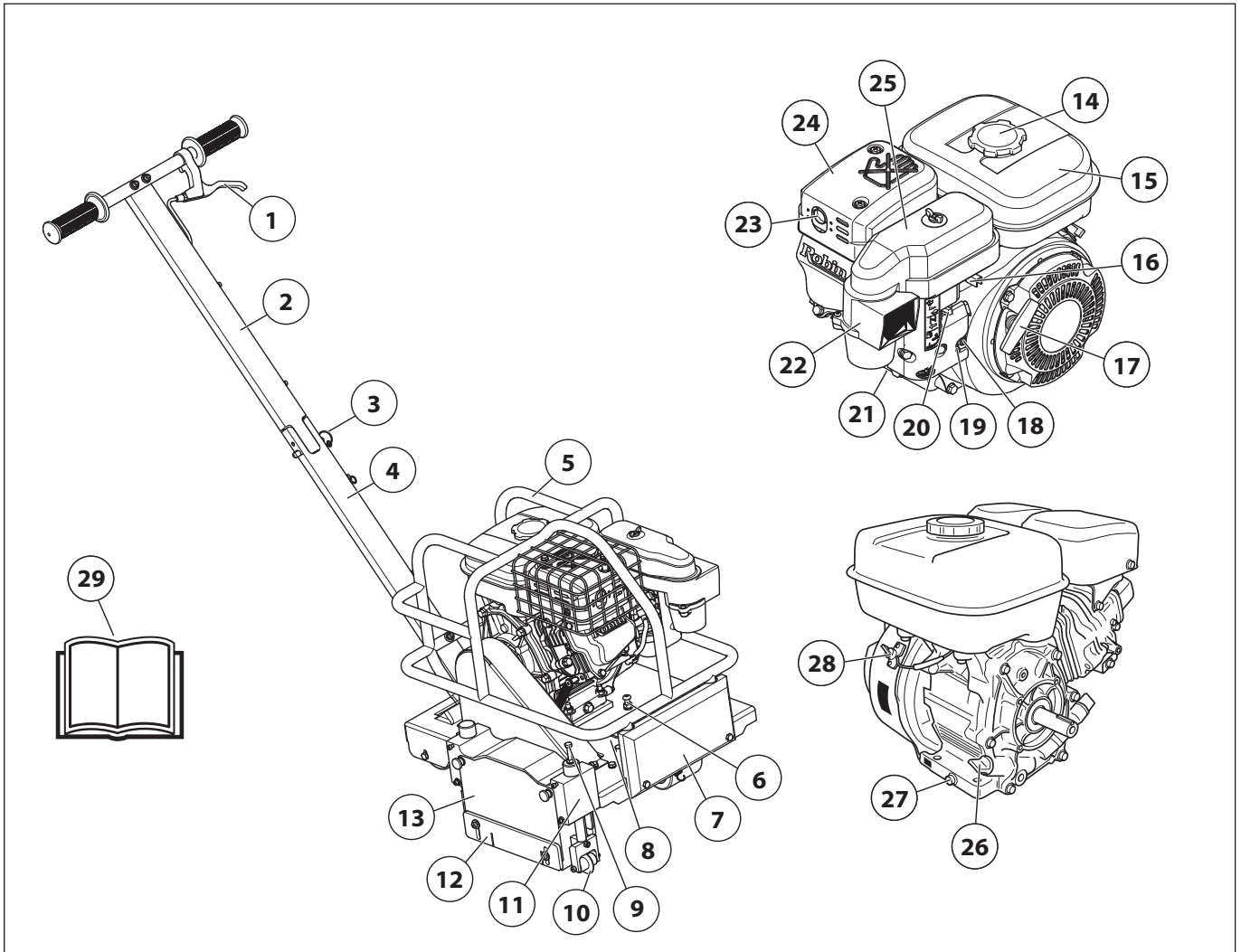
PRESENTACIÓN



¿Qué es qué en la máquina? (Soff-Cut 150)

- | | |
|---|---|
| 1 Palanca liberadora de la cuchilla | 15 Empuñadura de arranque |
| 2 Mango superior | 16 Paso de combustible |
| 3 Pasador de bloqueo, mango | 17 Vaso de combustible |
| 4 Empuñadura inferior | 18 Estrangulador |
| 5 Paleta con rodillos | 19 Carburador |
| 6 Ajuste de tope de profundidad | 20 Prelimpiador ciclónico |
| 7 Bastidor de la sierra | 21 Salida de escape |
| 8 Guía frontal | 22 Cubierta del silenciador |
| 9 Bloque de cuchilla | 23 Cubierta del silenciador |
| 10 Cubierta de lexan | 24 Varilla de nivel / llenado de aceite |
| 11 Protección del bloque de la cuchilla | 25 Tapón de vaciado |
| 12 Tapa del depósito de combustible | 26 Interruptor encender/apagar |
| 13 Depósito de combustible | 27 Plancha protectora (no incluida) |
| 14 Acelerador | 28 Manual de instrucciones |

PRESENTACIÓN



¿Qué es qué en la máquina? (Soff-Cut 150 D)

- | | |
|---|---|
| 1 Palanca liberadora de la cuchilla | 16 Acelerador |
| 2 Mango superior | 17 Empuñadura de arranque |
| 3 Pasador de bloqueo, mango | 18 Paso de combustible |
| 4 Empuñadura inferior | 19 Vaso de combustible |
| 5 Paleta con rodillos | 20 Estrangulador |
| 6 Ajuste de tope de profundidad | 21 Carburador |
| 7 Contrapeso | 22 Prelimpiador ciclónico |
| 8 Bastidor de la sierra | 23 Salida de escape |
| 9 Tornillo de ajuste de descenso | 24 Cubierta del silenciador |
| 10 Rueda guía frontal | 25 Cubierta del silenciador |
| 11 Bloque de cuchilla | 26 Varilla de nivel / llenado de aceite |
| 12 Cubierta de lexan | 27 Tapón de vaciado |
| 13 Protección del bloque de la cuchilla | 28 Interruptor encender/apagar |
| 14 Tapa del depósito de combustible | 29 Manual de instrucciones |
| 15 Depósito de combustible | |

EQUIPO DE SEGURIDAD DE LA MÁQUINA

Generalidades

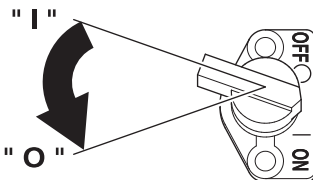


¡ATENCIÓN! Nunca utilice una máquina con componentes de seguridad defectuosos. Si su máquina no pasa todos los controles, entréguela a un taller de servicio para su reparación. Durante las operaciones que se describen en este capítulo, el motor debería estar apagado (a menos que se indique lo contrario).

En este capítulo se describen los componentes de seguridad de la máquina, su función y el modo de efectuar el control y el mantenimiento para garantizar un funcionamiento óptimo.

Interruptor encender/apagar

El interruptor ON/OFF se utiliza para arrancar y parar el motor.

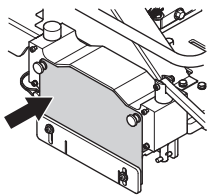


Comprobación del botón ON/OFF

- Para arrancar el motor, sitúe el interruptor en «ON» (posición «1»). Al arrancar el motor, la cuchilla comienza a girar.
- Sitúe el interruptor en «OFF» (posición «0»). Cerciórese de que el motor se detiene.

Protección del bloque de la cuchilla

El bloque de la cuchilla protege al operario de la cuchilla giratoria y controla el polvo.

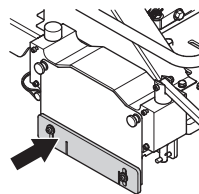


Comprobación de la protección del bloque de la cuchilla

- Controle que la protección no esté dañada y que no tenga grietas. Cambie la protección si ha estado expuesta a golpes o si tiene grietas.
- En caso de que el bloque de la cuchilla resulte dañado, deberá reemplazarlo para proteger al operario.
- Antes de arrancar la máquina, controle siempre que la protección está correctamente montada.

Cubierta de lexan

- La función principal de la cubierta de lexan es controlar el polvo, pero también ayuda a desviar la expulsión de partículas.

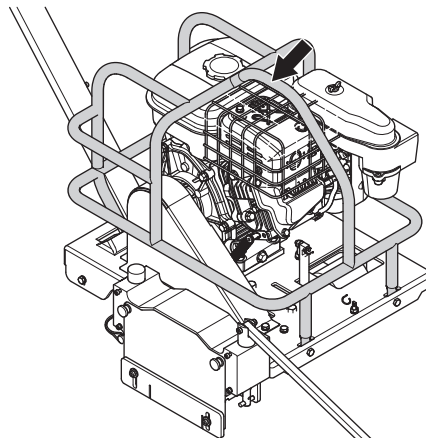


Comprobación de la cubierta de lexan

- Controle que la protección no esté dañada y que no tenga grietas. Cambie la protección si ha estado expuesta a golpes o si tiene grietas.
- Antes de arrancar la máquina, controle siempre que la protección está correctamente montada.
- Compruebe que la cubierta de lexan se mueve libremente hacia arriba y hacia abajo.

Paleta con rodillos

La paleta de rodillos evita que sufran daños tanto el equipo y el motor como el operario.



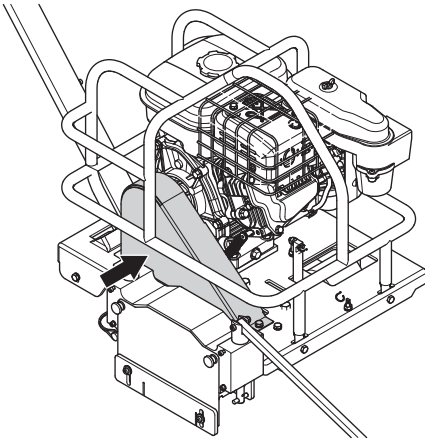
Comprobación de la paleta de rodillos

- Controle que la protección no esté dañada y que no tenga grietas. Cambie la protección si ha estado expuesta a golpes o si tiene grietas.
- Antes de arrancar la máquina, controle siempre que la protección está correctamente montada.

EQUIPO DE SEGURIDAD DE LA MÁQUINA

Protección de correa

La protección de la correa protege al operario tanto de las cizallas giratorias como de la propia correa.

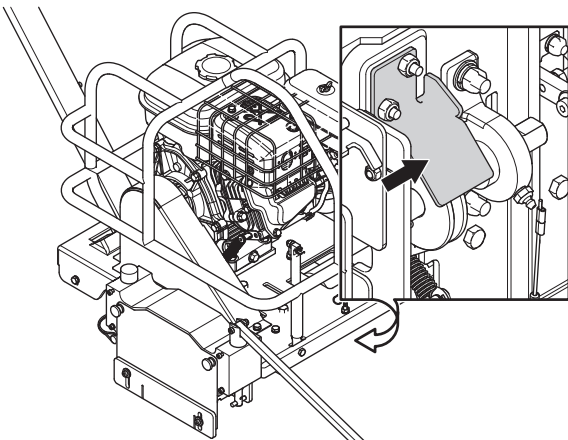


Comprobación de la protección de la correa

- Controle que la protección no esté dañada y que no tenga grietas. Cambie la protección si ha estado expuesta a golpes o si tiene grietas.
- Antes de arrancar la máquina, controle siempre que la protección esté correctamente montada.

Protección de la cizalla

La protección de la cizalla protege al operario de la cizalla giratoria del eje.

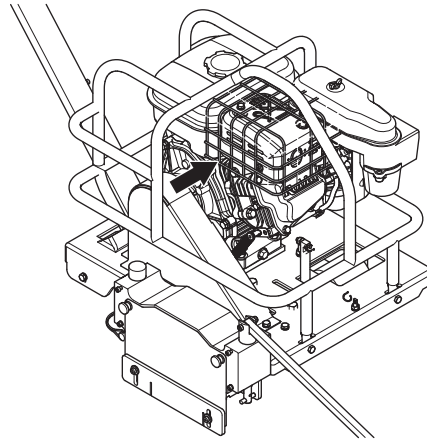


Comprobación de la protección de la cizalla

- Controle que la protección no esté dañada y que no tenga grietas. Cambie la protección si ha estado expuesta a golpes o si tiene grietas.
- Antes de arrancar la máquina, controle siempre que la protección esté correctamente montada.

Protección del silenciador

La protección del silenciador impide que el operario entre en contacto con el silenciador, que está caliente.



Comprobación de la protección del silenciador

- Controle que la protección no esté dañada y que no tenga grietas. Cambie la protección si ha estado expuesta a golpes o si tiene grietas.
- Antes de arrancar la máquina, controle siempre que la protección esté correctamente montada.

HOJAS DE DIAMANTE

Generalidades



¡NOTA! Inspeccione la cuchilla para comprobar que no presenta daños, grietas, pérdida de segmentos, sobrecalentamiento ni desgaste excesivo y que el orificio de triple mandril no está dañado. Si la cuchilla presenta alguno de estos problemas, deséchela.

Asegúrese de que la cuchilla presente una marca que indique que su velocidad operativa máxima es superior a 4450 r. p. m.

Soff-Cut 150

Utilice únicamente cuchillas de la serie Excel de Husqvarna o con una velocidad operativa máxima superior a 4450 r. p. m.

Cuchillas serie Excel



¡NOTA! Las cuchillas de diamante de la serie Excel de Husqvarna están diseñadas para cortar únicamente hormigón fresco. Si corta algún otro material puede dañar la cuchilla o provocar situaciones peligrosas.

La serie Excel ha sido diseñada específicamente para el sistema de corte seco de hormigón fresco Soff-Cut Ultra Early Entry.

Estas cuchillas especializadas ofrecen más velocidad y duración, y cortan una amplia gama de aglomerados.

Elija la cuchilla más adecuada para el trabajo que debe realizar. Si no está seguro de qué cuchilla utilizar, póngase en contacto con el taller local de servicio autorizado.

Excel 1000 púrpura	XL6-1000	Aglomerado ultra duro y arena no abrasiva.
Excel 2000 verde	XL6-2000	Aglomerado entre duro y ultra duro, y arena no abrasiva.
Excel 3000 roja	XL6-3000	Aglomerado duro y arena semiabrasiva.
Excel 4000 naranja	XL6-4000	Aglomerado de dureza media y arena semiabrasiva.
Excel 5000 amarilla	XL6-5000	Aglomerado de dureza entre media y baja, y arena abrasiva.
Excel 6000 negra	XL6-6000	Aglomerado blando y arena muy abrasiva.

Soff-Cut 150 D

Utilice únicamente cuchillas de la serie ProEdge de Husqvarna o con una velocidad operativa máxima superior a 4450 r. p. m.

Cuchillas serie ProEdge

La línea ProEdge ha sido diseñada para el ranurado arquitectónico, sustituyendo al utillaje manual de uso intensivo, y es ideal para aplicaciones residenciales y comerciales.

Las cuchillas se utilizan para cincelar juntas estándar: convierten las juntas irregulares, astilladas o melladas en bonitos bordes biselados o en radio.

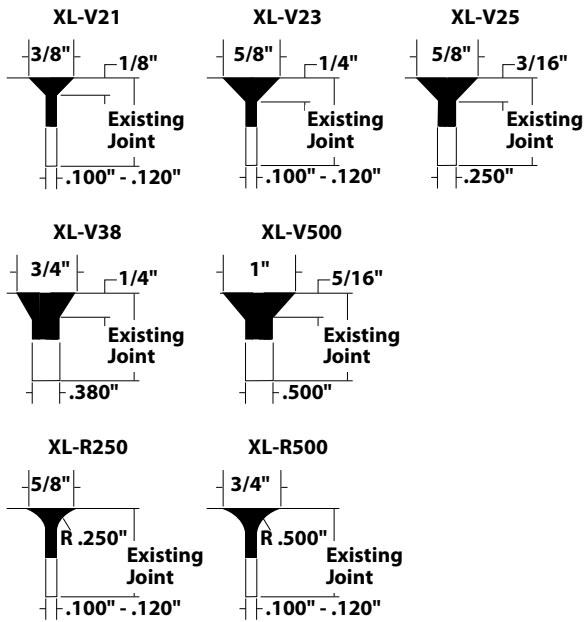
El cincelado de los cortes con las cuchillas ProEdge no debería comenzar, como muy pronto, hasta el día siguiente a que se haya colocado el hormigón y se hayan efectuado las juntas de control.

Elija la cuchilla con las especificaciones más adecuadas al trabajo que va a realizar. Si no está seguro de qué cuchilla utilizar, póngase en contacto con el taller local de servicio autorizado.

ProEdge V-blade	XL6-V21-D	Cuchilla con bisel de 3/8" (9,53 mm) de ancho para cortes con una anchura de 0,100" (2,54 mm).
	XL6-V23-D	Cuchilla con bisel de 5/8" (15,88 mm) de ancho para cortes con una anchura de 0,100" (2,54 mm).
	XL6-V25-D	Cuchilla con bisel de 5/8" (15,88 mm) de ancho para cortes con una anchura de 0,250" (6,35 mm).
	XL6-V500-D	Cuchilla con bisel de 1" (25,4 mm) de ancho para cortes con una anchura de 0,500" (12,7 mm).
ProEdge Radius blade	XL6-R250-D	Cuchilla con bisel de 5/8" (15,88 mm) de ancho para cortes con una anchura de 0,100" (2,54 mm).
	XL6-R500-D	Cuchilla con bisel de 3/4" (19,1 mm) de ancho para cortes con una anchura de 0,100" (2,54 mm).

HOJAS DE DIAMANTE

La especificación correcta de la cuchilla ProEdge se basa en la anchura de las juntas de control existentes, como se indica a continuación:



Transporte y almacenamiento

- Desmonte la cuchilla antes de transportar y almacenar la máquina.
- Guarde el disco seco.
- Revise los discos de corte nuevos para comprobar si presentan daños de transporte o almacenaje.

MONTAJE Y AJUSTES

Generalidades



¡ATENCIÓN! Durante las operaciones que se describen en este capítulo, el motor debería estar apagado (a menos que se indique lo contrario). Para impedir el arranque accidental del motor, retire el cable de encendido de la bujía.

Desembalaje

- Extraiga la sierra de la caja. Debería levantar la sierra de la paleta con rodillos tirando del mango central.
- Deseche o recicle el material de embalaje de conformidad con las leyes regionales.
- **Soff-Cut 150:** Con la sierra no se incluye ninguna cuchilla ni plancha protectora. Compre la cuchilla y la plancha protectora que necesite en su distribuidor local de Husqvarna Construction Products.
- **Soff-Cut 150 D:** Tampoco se incluye con la sierra ninguna cuchilla de bisel ni de radio. Compre la cuchilla que necesite en su distribuidor local de Husqvarna Construction Products.

Monte el disco

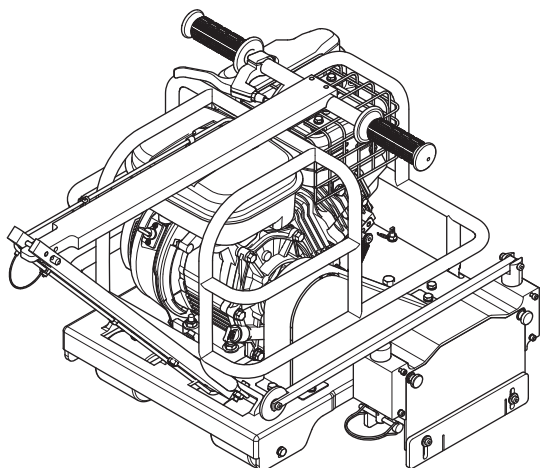


¡NOTA! Inspeccione la cuchilla para comprobar que no presenta daños, grietas, pérdida de segmentos, sobrecalentamiento ni desgaste excesivo y que el orificio de triple mandril no está dañado. Si la cuchilla presenta alguno de estos problemas, deséchela.

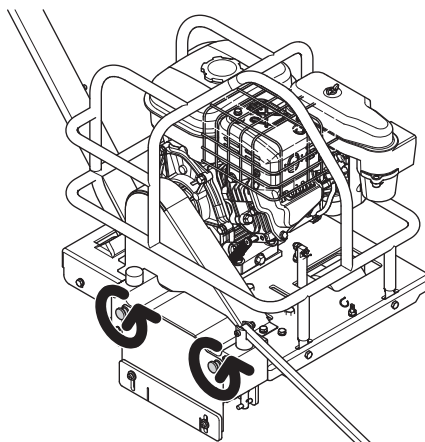
Asegúrese de que la cuchilla presente una marca que indique que su velocidad operativa máxima es superior a 4450 r. p. m.

Examine los bordes de la cuchilla para comprobar que no presenta daños, suciedad ni desgaste excesivo. La cuchilla debería encajar fácilmente en el eje de triple mandril, siempre que este esté limpio y en buen estado.

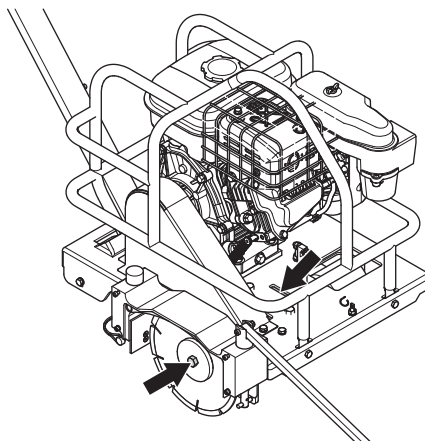
- Doble el mango para enderezarlo al máximo.
- Introduzca el pasador de bloqueo.



- Levante la cuchilla presionando la barra del mango con ambas manos hasta bloquearla del todo.
- Retire la protección del bloque de la cuchilla.



- Inserte una de las dos llaves suministradas en la ranura de la parte frontal del motor y la otra en el perno del eje de la hoja.



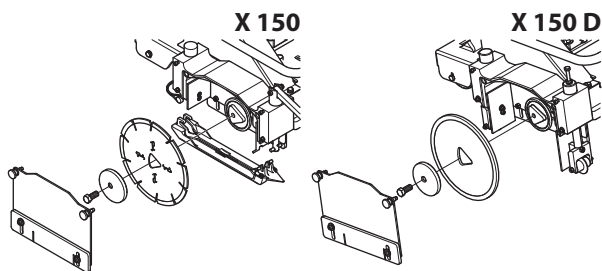
- Gire el eje de la hoja en el sentido contrario a las agujas del reloj con la llave inserta en el perno hasta que la segunda llave engrane los lados en el otro extremo del eje.
- Quite el perno del eje de la hoja; para ello, siga girando el perno en sentido contrario a las agujas del reloj.
- Quite la brida exterior de acoplamiento de cuchillas.
- **Soff-Cut 150:** Elimine la vieja plancha protectora.

AVISO La plancha protectora patentada es la pieza más importante del sistema Soff-Cut Ultra Early Entry. Si está doblada, torcida o dañada, es posible que se produzcan mellas o desbastes al cortar. Tenga cuidado al guardar las planchas protectoras e instálaslas correctamente. Instale una nueva plancha protectora cada vez que renueve la cuchilla. Nunca reutilice las planchas protectoras.

- Limpie bien cualquier resto de hormigón del eje, del bloque de la cuchilla y de la protección del bloque.

MONTAJE Y AJUSTES

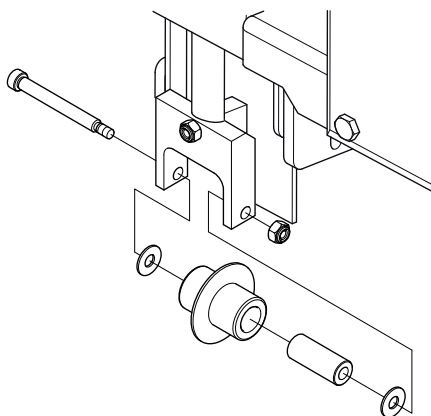
- Monte la cuchilla limpia en el eje de la hoja.



- Monte la brida exterior de acoplamiento de cuchillas. Apriete el perno firmemente.
- **Soff-Cut 150:** Instale una plancha protectora nueva.
Enganche la parte frontal de la plancha protectora en el pasador frontal del eje del bloque de la cuchilla.
Conecte el eje trasero del bloque de la cuchilla y la parte trasera de la plancha protectora instalando el pasador de bloqueo.
- Monte la protección del bloque de la cuchilla. Apriete hasta asentarla del todo contra el bloque de la cuchilla.
- **Soff-Cut 150:** Levante las partes frontal y trasera de la plancha protectora para que la cuchilla se deslice sola por ella.
- Compruebe que la cubierta de lexan se mueve libremente hacia arriba y hacia abajo.

Sustitución de las ruedas guía. (Soff-Cut 150 D)

- Utilice las ruedas guía de 1/4" de ancho (frontal y trasera incluidas con la sierra) cuando cincele los cortes de sierra de 1/4" con la cuchilla XL6-V25-D.
- Para sustituir las ruedas guía, quite la tuerca de fijación y extraiga el perno de tope.



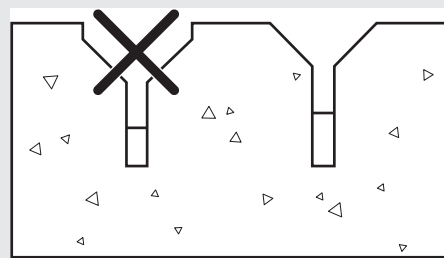
- Tome nota de las arandelas y de las otras piezas extraídas, así como del orden de montaje.
- Saque el buje de bronce deslizándolo del interior de la rueda guía vieja e insértelo en la nueva.
- Saque el buje de bronce deslizándolo del interior de la rueda guía vieja e insértelo en la nueva.
- Debe sustituir las dos ruedas guía (frontal y trasera); no utilice ruedas guía de distinta anchura.
- Instale las nuevas ruedas guía con los mismos pernos de tope, tuercas de fijación y arandelas de plástico.

- Recuerde que también dispone de ruedas guía de media pulgada de ancho (no incluidas con la sierra) para utilizarlas con la cuchilla ProEdge Blade XL6-V500-D, si va a cincelar cortes de sierra de 1/2" de ancho.

Ajuste de la profundidad de la cuchilla (Soff-Cut 150 D)



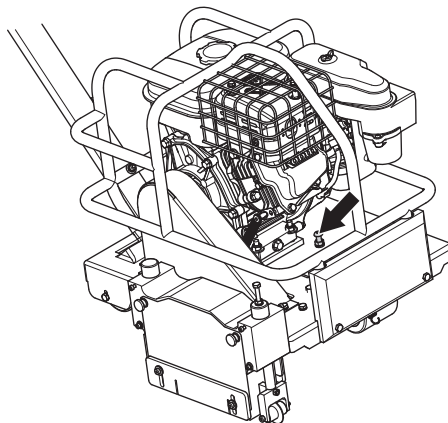
¡NOTA! Para ofrecer un rendimiento óptimo, la profundidad de corte de la cuchilla en V y de radio está establecida de fábrica en el máximo. No intente realizar los siguientes ajustes a menos que sea necesario. No aumente la profundidad. Si lo hace, el corte biselado presentará un «efecto de casa» indeseable.



La cuchilla se entrega ya configurada con la profundidad de corte correcta. Necesita muy pocos ajustes o ninguno.

Ajuste de los cortes más superficiales (anchura más estrecha)

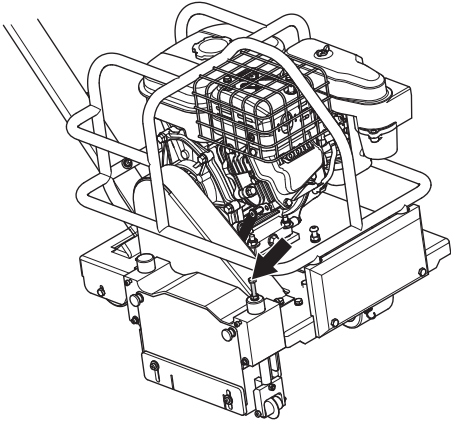
- Afloje la tuerca de inmovilización ajustadora de la profundidad en sentido contrario a las agujas del reloj.



- Gire el perno de ajuste de profundidad en sentido contrario a las agujas del reloj. Cada revolución completa del perno regulador de profundidad reducirá 1/8" la anchura del corte biselado o en radio.

MONTAJE Y AJUSTES

- Afloje la tuerca de inmovilización de descenso en sentido contrario a las agujas del reloj. Asegúrese de que las ruedas traseras están bien asentadas en el suelo presionando hacia abajo la parte posterior de la unidad principal.



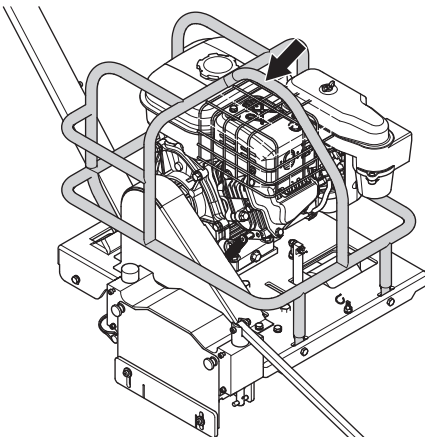
- Gire con la mano el tornillo de ajuste de descenso en el sentido de las agujas del reloj, hasta que toque el eje de la rueda guía.
- Afloje un cuarto de vuelta (en sentido contrario a las agujas del reloj) y bloquéelo en su sitio apretando la tuerca de inmovilización reguladora del descenso.
- Cincele una junta de la sierra un pie aproximadamente para comprobar que obtiene el corte decorativo que desea.

Comprobaciones previas a la operación

El motor se entrega sin aceite. Llénelo con aceite de motor hasta el nivel adecuado. Consulte los datos técnicos para saber qué tipo de aceite es más recomendable.

Transporte

- Retire el pasador de bloqueo.
- Doble el mango hacia delante.
- Doble el brazo guía hacia atrás.
- Debería levantar la sierra de la paleta con rodillos tirando del mango central.



MANIPULACION DEL COMBUSTIBLE

Generalidades



¡ATENCIÓN! Si se hace funcionar el motor en un local cerrado o mal ventilado, se corre riesgo de muerte por asfixia o intoxicación con monóxido de carbono. Utilice ventiladores para asegurar una circulación del aire adecuada cuando trabaje en zanjas o fosos con más de un metro de profundidad.

El combustible y los vapores de combustible son muy inflamables y pueden causar daños graves por inhalación y contacto con la piel. Por consiguiente, al manipular combustible proceda con cuidado y procure que haya buena ventilación.

Los gases de escape del motor están calientes y pueden contener chispas que pueden provocar incendio. Por esa razón, ¡nunca arranque la máquina en interiores o cerca de material inflamable!

No fume ni ponga objetos calientes cerca del combustible.

Carburante

Utilice gasolina sin plomo con un octanaje mínimo de 87.

La gasolina sin plomo con más del 10% de etanol no se debe utilizar. De lo contrario, puede ocasionar problemas de arranque y de rendimiento. También puede dañar las piezas de metal, goma y plástico del sistema de combustible, además de provocar riesgos de incendios.

Nunca utilice gasolina que contenga metanol.

Tampoco utilice combustible de más de 30 días. El combustible antiguo puede ocasionar problemas de arranque y daños en el sistema de combustible.

Repostaje



¡ATENCIÓN! Apague el motor y deje que se enfríe unos minutos antes de repostar. Haga el repostaje en una zona bien ventilada. No haga el repostaje de la máquina en interiores.

Para repostar, abra despacio la tapa del depósito de combustible para evacuar lentamente la eventual sobrepresión. Nunca llene en exceso el depósito de combustible.

Limpie alrededor del tapón de combustible.

Después de repostar, apriete bien la tapa del depósito de combustible. Controle que no haya fugas de combustible.

Una actuación negligente puede provocar un incendio.

Saque la máquina del vehículo y haga el repostaje en el suelo. Si no es posible, reposte estas máquinas utilizando un recipiente portátil, en lugar de directamente con el surtidor.

Utilice únicamente recipientes de gasolina aprobados.

Nunca llene los recipientes en el interior de un vehículo. Al repostar, coloque siempre el recipiente sobre el suelo y lejos del vehículo.

Mantenga la boquilla en contacto con el borde del depósito de combustible o con la apertura del recipiente en todo momento, hasta completar el repostaje. No use los dispositivos de bloqueo de la boquilla del surtidor.

Nunca arranque la máquina:

- Si ha derramado combustible o aceite de motor en la máquina. Limpie todos los derrames y deje evaporar los restos de gasolina.
- Si se salpicó el cuerpo o las ropas, cambie de ropas. Lave las partes del cuerpo que han entrado en contacto con el combustible. Use agua y jabón.
- Si hay fugas de combustible en la máquina. Compruebe regularmente si hay fugas en la tapa del depósito o en los conductos de combustible.

Eliminación

El aceite, anticongelante, etc., de un motor usado son perjudiciales para la salud y no deben desecharse en el suelo ni en la naturaleza: siempre deben desecharse en un taller o un lugar adecuado para su eliminación.

Transporte y almacenamiento

Almacene y transporte la máquina y el combustible de manera que eventuales fugas o vapores no puedan entrar en contacto con chispas o llamas, por ejemplo, máquinas eléctricas, motores eléctricos, contactos eléctricos/interruptores de corriente o calderas.

Para almacenar y transportar combustible se deben utilizar recipientes diseñados y homologados para tal efecto.

Almacenamiento prolongado

Si la máquina se va a almacenar por un período largo, se debe vaciar el depósito de combustible. Pregunte en la estación de servicio más cercana qué hacer con el combustible sobrante.

FUNCIONAMIENTO

Equipo de protección

Generalidades

- No use nunca una máquina si no tiene posibilidad de pedir auxilio si se produce un accidente.

Equipo de protección personal

Para trabajar con la máquina debe utilizarse un equipo de protección personal homologado. El equipo de protección personal no elimina el riesgo de lesiones, pero reduce su efecto en caso de accidente. Pida a su distribuidor que le asesore en la elección del equipo.



¡ATENCIÓN! El uso de productos que cortan, pulen, taladran, alisan o forman materiales puede generar polvo y vapores que pueden contener sustancias químicas dañinas. Averiguar la composición del material con que se trabaja y usar una máscara respiratoria adecuada.

La exposición prolongada al ruido puede causar daños crónicos en el oído, Por consiguiente, use siempre protectores auriculares homologados. Cuando use protección auditiva preste siempre atención a las señales o llamados de advertencia. Sáquese siempre la protección auditiva inmediatamente después de parar el motor.

Utilice siempre:

- Casco protector homologado
- Protectores auriculares
- Protección ocular homologada.
- Máscara respiratoria
- Guantes resistentes de agarre seguro.
- Prendas de vestir ceñidas, resistentes y cómodas que permitan una libertad de movimientos total.
- Botas con puntera de acero y suela antideslizante.
- Lleve guantes de goma para evitar el contacto con el hormigón húmedo, ya que esto podría irritarle gravemente la piel.

Tener en cuenta que las ropas, el pelo largo y las joyas pueden atascarse en piezas móviles.

Otros equipos de protección



¡NOTA! Mientras trabaja con la máquina, pueden producirse chispas que podrían ocasionar un incendio. Tenga siempre a mano herramientas para la extinción de incendios.

- Extintor de incendios
- Tenga siempre a mano el equipo de primeros auxilios.

Instrucciones generales de seguridad



¡ATENCIÓN! Lea todas las advertencias e instrucciones de seguridad. No atender a estas advertencias e instrucciones puede provocar descargas eléctricas, incendios y lesiones graves.

Este apartado trata las normas de seguridad básicas para trabajar con el dispositivo. Esta información no sustituye en ningún caso los conocimientos y la experiencia de un profesional.

- Lea detenidamente el manual de instrucciones y asegúrese de entender su contenido antes de utilizar la máquina.
- Tenga en cuenta que es usted, como usuario, el responsable de no exponer a riesgos o accidentes a las personas y a su propiedad.
- Todos los operadores deben ser formados en el empleo de la máquina. El propietario es responsable de la formación de los operadores.
- La máquina debe mantenerse limpia. Los letreros y las pegatinas deben ser legibles en su totalidad.



¡ATENCIÓN! La máquina, si se utiliza de forma errónea o descuidada, puede ser una herramienta peligrosa que puede causar daños graves e incluso la muerte al usuario y a otras personas.

No permita bajo ningún concepto el empleo o mantenimiento de la máquina por los niños u otras personas no instruidas en el manejo de la misma.

Nunca deje que terceros utilicen la máquina sin asegurarse primero de que hayan entendido el contenido de este manual de instrucciones.

Nunca utilice la máquina si está cansado, si ha ingerido alcohol o si toma medicamentos que puedan afectarle la vista, su capacidad de discernimiento o el control del cuerpo.

FUNCIONAMIENTO



¡ATENCIÓN! Las modificaciones y/o el uso de accesorios no autorizados comportan riesgo de daños personales graves y peligro de muerte para el usuario y otras personas. Bajo ninguna circunstancia debe modificarse la configuración original de la máquina sin autorización del fabricante. No modifique nunca esta máquina de forma que se desvíe de la versión original, y no la utilice si parece haber sido modificada por otras personas.

No utilice nunca una máquina defectuosa. Lleve a cabo las comprobaciones de seguridad y siga las instrucciones de mantenimiento y servicio de este manual. Algunas medidas de mantenimiento y servicio deben ser efectuadas por especialistas formados y cualificados. Consulte las instrucciones del apartado **Mantenimiento**. Utilizar siempre recambios originales.



¡ATENCIÓN! Esta máquina genera un campo electromagnético durante el funcionamiento. Este campo magnético puede, en determinadas circunstancias, interferir con implantes médicos activos o pasivos. Para reducir el riesgo de lesiones graves o letales, las personas que utilizan implantes médicos deben consultar a su médico y al fabricante del implante antes de emplear esta máquina.

Emplee siempre el sentido común

Es imposible abarcar todas las situaciones imaginables que se pueden producir al utilizar una taladradora. Proceder siempre con cuidado y emplear el sentido común. Si se encuentra en alguna situación que le haga sentirse inseguro, deténgase y consulte con un experto. Consulte a su distribuidor, al taller de servicio técnico o a un usuario experimentado. No emplee la máquina en aplicaciones para las que no se considere plenamente cualificado.

Seguridad en el trabajo

Seguridad en el área de trabajo

- **Mantenga el área de trabajo limpia y bien iluminada.** Las zonas abarrotadas de cosas u oscuras favorecen los accidentes.
- Defina y acordone la zona de riesgo. Asegúrese de que no haya terceros desautorizados en la zona de riesgo.
- Las personas y los animales pueden distraer y hacer perder el control de la máquina. Por consiguiente, el operador debe estar siempre concentrado en su trabajo.
- No trabaje en condiciones atmosféricas desfavorables como niebla, lluvia intensa, tempestad, frío intenso, etc. Trabajar con mal tiempo es cansador y puede crear condiciones peligrosas, por ejemplo suelo resbaladizo.

- Antes de comenzar a trabajar con la máquina, controle siempre que el lugar esté libre y que los pies estén bien afirmados al terreno.

Seguridad personal

- Nunca utilice la máquina si está cansado, si ha ingerido alcohol o si toma medicamentos que puedan afectar la vista, su capacidad de discernimiento o el control del cuerpo.
- Evite el encendido accidental de la herramienta. Asegúrese de que el interruptor está en la posición de apagado (OFF).
- Compruebe que no ha dejado ninguna herramienta u otro objeto sobre la máquina.
- No permita nunca que personas sin formación utilicen la máquina.
- Apague siempre la máquina cuando haga pausas largas.
- Un operador nunca debe trabajar solo; siempre debe haber otra(s) persona(s) cerca.
- Aprenda a utilizar la máquina y sus mandos de manera segura, así como a pararla rápidamente. Familiarícese también con las pegatinas de seguridad.
- No se estire demasiado. Mantenga una posición correcta y el equilibrio en todo momento.

Uso y cuidado

- La experiencia es muy importante a la hora de utilizar la máquina. Se recomienda que el trabajo sea realizado por un trabajador cualificado.
- Antes de poner en marcha el motor, realice siempre el mantenimiento diario. Consulte las instrucciones bajo el título «Mantenimiento».
- La máquina está destinada al uso por operadores experimentados, en aplicaciones industriales.
- Para utilizar la sierra sitúese siempre detrás de la máquina, con las dos manos en el mango.
- Tenga especial cuidado al cargar, descargar y manipular la máquina en las cuestas.
- No la utilice como vehículo de transporte de personal o maquinaria.
- Nunca se suba encima de la máquina.
- No sobrecargar la máquina. La sobrecarga puede dañar la máquina.
- Mantener las herramientas afiladas y limpias para que el trabajo sea más seguro.
- Mantener todas las piezas en perfecto estado y comprobar que todos los elementos de fijación estén bien apretados.
- No abandonar nunca la máquina sin vigilar, con el motor en marcha.
- Al manipular la sierra, asegúrese de que la cuchilla no entra en contacto con el suelo ni con ninguna otra superficie.
- Procure no tocar directamente la cuchilla ni entrar en contacto con ella mientras gira.

Técnica básica de trabajo

Serrado de las juntas de contracción

El hormigón, al hidratarse o curarse y empezar a endurecerse, sufre una dilatación interna que puede ocasionar grietas aleatorias.

Este tipo de grietas genera dudas sobre la calidad del trabajo y de la mano de obra del hormigón. Para aliviar esta dilatación, se cortan en el hormigón juntas de contracción que buscan su propio alivio en forma de grietas aleatorias.

El sistema Soff-Cut Ultra Early Entry controla las grietas aleatorias calculando el tiempo de los cortes de sierra en puntos predeterminados; de esta forma, crea planos debilitados en el hormigón que, con el tiempo, se agrietan en la parte inferior del corte para liberar la presión.

Las juntas de contracción serradas de Husqvarna deberían llegar, como mínimo, a 1/8 de la profundidad del hormigón y tener una profundidad mínima de 25 mm (1").

Las juntas de contracción deberían practicarse en cuanto el hormigón sea capaz de soportar el peso de la sierra y del operario sin dañarlo y sin que queden marcas.

Existen muchas posibilidades para diseñar las juntas. El diseño de las juntas debería facilitarse: el contratista de la sierra debería entregar un plano con el diseño de las juntas para su aprobación con anterioridad al corte.

Existen varios factores que determinan la distancia entre las juntas:

- El grosor del hormigón.
- El tipo, la cantidad y la ubicación del refuerzo.
- El potencial de contracción del hormigón-cemento (tipo, cantidad), el aglomerado (tipo, cantidad, calidad), la proporción agua-cemento, los aditivos y la temperatura del hormigón.
- La fricción en la base.
- Las restricciones de la losa.
- La distribución de los cimientos, las cremalleras, los pozos, las almohadillas de los equipos, los fosos, etc.
- Factores medioambientales, como la temperatura, el viento o la humedad.
- Los métodos y la calidad del curado del hormigón.

En general, los patrones de las juntas de contracción deberían dividir las losas en paneles casi cuadrados en función de la separación recomendada que se indica.

Separación recomendada de las juntas de contracción

Grosor del hormigón, mm (pulg.)	Máxima separación, m (pies)
90 (3.5)	2,4 (8)
100, 114 (4, 4.5)	3,0 (10)
125, 140 (5, 5.5)	3,6 (12)
150 (6) o más	4,5 (15)

En todos los cortes transversales intersectados, instale protectores Husqvarna en cada junta para impedir dañarlas. Instale un protector de juntas adicional en el punto donde la rueda derecha atraviese la junta, para evitar dañar el hormigón.

Cómo aprovechar al máximo el sistema Soff-Cut

«Cronometrar el tiempo de las operaciones del hormigón (especialmente el acabado y las juntas) es fundamental. De lo contrario, aparecerán en la superficie de desgaste características indeseables, por ejemplo, grietas...» (Extracto del prólogo del informe del American Concrete Institute (ACI) 302.1 R-96.)

El sistema patentado Soff-Cut Ultra Early Entry ha revolucionado el método de control de las grietas aleatorias.

Para que un operario pueda realizar un trabajo satisfactorio con el sistema Soff-Cut, deben cumplirse los siguientes criterios:

- Una sierra de corte seco Soff-Cut Ultra Early Entry.
- Una cuchilla de diamante de corte seco serie Excel de Husqvarna.
- Una plancha protectora antimella de Husqvarna, instalada con todas las cuchillas de diamantes nuevas.
- Un operario cualificado en el uso del sistema de corte Soff-Cut Ultra Early Entry.

Sin todos estos componentes, es posible que las juntas no se corten con la suficiente limpieza como para controlar las grietas aleatorias antes de que aparezcan, que es por lo que paga el propietario del edificio.

En este fragmento de la especificación del ACI 302.1R-96 se expresa perfectamente:

«Las sierras early-entry de corte seco utilizan cuchillas bañadas en diamante y planchas protectoras que impiden el desbaste. Para controlar eficazmente el desbaste, es necesario cambiar las planchas protectoras oportunamente. Lo más conveniente es cambiar las planchas protectoras cuando lo recomienda el fabricante (...) El objetivo del corte de sierra es crear un plano debilitado tan pronto como la junta pueda cortarse (...) El cronometraje del proceso de early-entry permite practicar las juntas antes de que aparezcan tensiones importantes en el hormigón...»

En el boletín de ingeniería Concrete Floors on the ground de la PCA (Portland Cement Association, Asociación de Cemento de Portland) se afirma también que:

«Unas juntas adecuadas pueden evitar las antiestéticas grietas aleatorias. Algunos aspectos de las juntas que contribuyen a lograr un buen trabajo son: la elección del tipo de junta correcto para cada ubicación, establecer un buen patrón y disposición de las juntas y aplicar la junta en el momento correcto (...) Cronometrar el serrado de las juntas es vital. Existen en el mercado sierras ligeras, de corte temprano y alta velocidad que permiten el serrado de la junta poco después de terminar el suelo, a veces, entre 0 y 2 horas después (...) Si se practica el corte pocas horas después de acabar el trabajo, es posible evitar la aparición de grietas aleatorias...»

Husqvarna tiene un solo sistema de corte seco Ultra Early Entry (Soff-Cut), que evita la aparición de grietas aleatorias mediante el cronometraje temprano del corte. Con el método Soff-Cut patentado, las juntas de control se practican menos de dos horas después del proceso de acabado.

El corte de las juntas debería practicarse en cuanto el hormigón soporte el peso de la sierra y del operario en cada punto de la junta y antes del endurecimiento final.

Si las juntas no se realizan en este periodo de tiempo, el método Soff-Cut Ultra Early Entry no se estará siguiendo.

FUNCIONAMIENTO

Transporte y almacenamiento



¡NOTA! Debería levantar la sierra de la paleta con rodillos tirando del mango central.

- Si hay dos personas para levantar la sierra, debe utilizarse la barra de la paleta con rodillos, a cada lado de la sierra, y levantarla con ambas manos.
- A la hora de guardar la sierra, posicónela siempre totalmente rebajada e impidiendo su movimiento.
- Cierre el paso de combustible.
- Sujete bien el equipo durante el transporte para evitar daños y accidentes.
- Almacene la cortadora en lugar seguro fuera del alcance de los niños y personas no calificadas para su uso.
- Desmonte la cuchilla antes de transportar y almacenar la máquina.
- Guarde la máquina y el equipo en un lugar seco y protegido de la escarcha.

Arranque y parada

Antes de arrancar



¡ATENCIÓN! Lea detenidamente el manual de instrucciones y asegúrese de entender su contenido antes de utilizar la máquina.

Utilice el equipo de protección personal. Vea las instrucciones bajo el título "Equipo de protección personal".

Asegúrese de que no haya personas desautorizadas en la zona de trabajo, de lo contrario, se corre el riesgo de ocasionar graves daños personales.

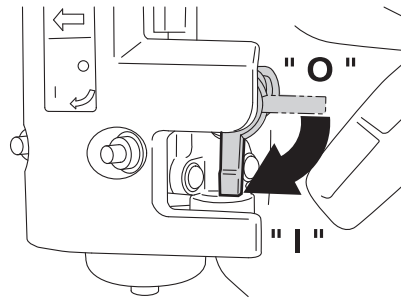
Compruebe que las protecciones están montadas correctamente y no están dañadas. Consulte las instrucciones del apartado «Equipo de seguridad de la máquina» y «Montaje y ajustes».

- Realice el mantenimiento diario. Consulte las instrucciones bajo el título «Mantenimiento».
- Compruebe que el mango esté totalmente recto y con el pasador echado.
- Compruebe que la guía frontal está girada en la posición delantera.

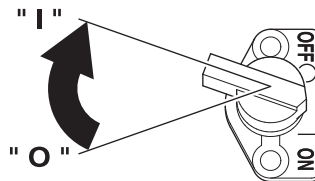
Arranque

Arranque el motor

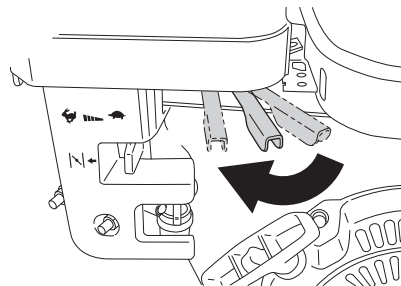
- Abra el paso de combustible.



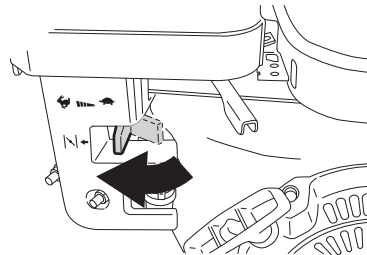
- Levante la cuchilla presionando la barra del mango con ambas manos hasta bloquearla del todo.
- Para arrancar el motor, sitúe el interruptor en «ON» (posición «1»). Al arrancar el motor, la cuchilla comienza a girar.



- Mueva la palanca de velocidad 1/3 del recorrido de la posición abierta.



- Cierre la palanca estranguladora del motor.



La posición de estrangulamiento cerrada enriquece la mezcla de combustible para arrancar un motor frío.

La posición de estrangulamiento abierta proporciona la mezcla de combustible adecuada para el trabajo una vez arrancado el motor y para volver a arrancar un motor caliente.

- Agarre la empuñadura de arranque.
- Después de arrancar el motor, abra lentamente el estrangulador. Deje que se caliente el motor durante unos minutos.

FUNCIONAMIENTO

Inicio del corte

Soff-Cut 150

- Sitúe la palanca del acelerador del motor en la posición de máxima apertura para acelerar el motor al máximo.
- Alinee la sierra con la línea de corte utilizando la rueda blanca de la guía frontal y el indicador triangular situado en la parte trasera del bloque de la cuchilla.
- Presione el mango de la sierra y tire de la palanca liberadora de la cuchilla para bajarla lentamente sobre el hormigón.
- Empuje la sierra hacia delante para realizar el corte, manteniendo la rueda de la guía frontal sobre la línea de corte.
- Durante los primeros 50 pies (15 m), empuje la sierra a media velocidad aproximadamente; de esta forma, la cuchilla desarrollará una buena exposición de diamante.
- Aumente la velocidad de avance de la sierra hasta que la cuchilla y el motor funcionen a la máxima eficacia. No fuerce la sierra.
- Cuando se acerque a una pared, levante la guía frontal y utilice la guía triangular de la parte trasera del bloque de la cuchilla para cortar los últimos metros.
- No golpee el conjunto del bloque de la cuchilla contra ningún objeto. Podría dañarlo.

Soff-Cut 150 D

- Sitúe la palanca del acelerador del motor en la posición de máxima apertura para acelerar el motor al máximo.
- Alinee la rueda guía trasera con el corte de sierra existente.
- Presione el mango de la sierra y tire de la palanca liberadora de la cuchilla para hundir la sierra lentamente y dejar caer las ruedas guía (primero la trasera y después la delantera) en el corte de sierra.

Aclaración: No hunda la sierra ni la cuchilla del todo en el hormigón hasta que las ruedas guía delantera y trasera estén bien alineadas con el corte de sierra.
- Una vez alineadas las ruedas guía en el corte de sierra, baje la sierra del todo para comenzar a cincelar la junta.
- Cincele una junta de sierra 30 cm (un pie) aproximadamente y compruebe que la cuchilla y la rueda guía están alineadas y que obtiene el corte decorativo que desea.
- Aumente la velocidad de avance de la sierra hasta que la cuchilla y el motor funcionen a la máxima eficacia. No fuerce la sierra.
- Mantenga una velocidad constante; si empuja la sierra con demasiada rapidez, la cuchilla se saldrá de la junta, creando un bisel irregular.
- No golpee el conjunto del bloque de la cuchilla contra ningún objeto. Podría dañarlo.

Parada

- Levante la cuchilla presionando la barra del mango con ambas manos hasta bloquearla del todo.
- Ponga la palanca del acelerador del motor en la posición de cierre máximo.
- Sitúe el interruptor en «OFF» (posición «0»).
- Cierre el paso de combustible.
- Limpie la máquina.

MANTENIMIENTO

Generalidades



¡ATENCIÓN! El usuario sólo puede efectuar los trabajos de mantenimiento y servicio descritos en este manual. Los trabajos de mayor envergadura debe efectuarlos un taller de servicio oficial.

Durante las operaciones que se describen en este capítulo, el motor debería estar apagado (a menos que se indique lo contrario).

Utilice el equipo de protección personal. Vea las instrucciones bajo el título "Equipo de protección personal".

La vida útil de la máquina puede acortarse y el riesgo de accidentes puede aumentar si el mantenimiento de la máquina no se hace de forma adecuada y si los trabajos de servicio y/o reparación no se efectúan de forma profesional. Para más información, consulte con el taller de servicio oficial más cercano.

Encargue al distribuidor de Husqvarna la revisión regular de la cortadora y los ajustes y reparaciones necesarios.

Programa de mantenimiento

En el programa de mantenimiento podrá ver qué piezas de la máquina requieren mantenimiento y cada cuánto tiempo deberá realizarse. Los intervalos se calculan en función del uso diario de la máquina y pueden depender de la velocidad de uso.

	Mantenimiento Diario	Mantenimiento semanal / 40 horas	Mantenimiento mensual / 200 horas
Limpieza	Limpieza externa	Purificador de aire	Vaso de combustible
		Bujía	
Comprobar	Inspección general	Correa de transmisión	Bujía y distancia entre los electrodos
	Plancha protectora		
	Cubierta de lexan*		
	Protección del bloque de la cuchilla*		
	Hoja**		
	Nivel de combustible***		
	Nivel de aceite		
Cambio		Aceite (tras las 20 primeras horas y a partir de entonces cada 100 h)	Elemento purificador de aire
Engrasado		Cojinetes del eje de la cuchilla	

* Consulte las instrucciones bajo el título «Equipo de seguridad de la máquina».

** Consulte las instrucciones bajo el título «Discos de corte» y «Montaje y ajustes».

***Consulte las instrucciones del apartado «Manipulación del combustible».

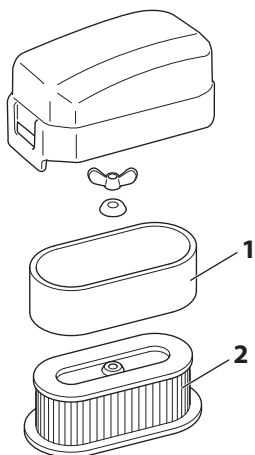
Limpieza

Limpieza externa

- Limpie la máquina a diario enjuagándola con agua limpia tras finalizar la tarea.
- Después de cada uso, limpie cualquier resto de hormigón acumulado en el bloque de la cuchilla. Utilice un cepillo manual extrafuerte o una brocha grande.
- Si ha derramado combustible o aceite de motor en la máquina. Limpie todos los derrames y deje evaporar los restos de gasolina.
- Mantenga limpias todas las aberturas y ranuras de la sierra, de manera que el aire circule libremente por el compartimiento del motor y se refrigere correctamente.

MANTENIMIENTO

Purificador de aire



- Lave la espuma de uretano filtro (1) con detergente. Espere a que el filtro se seque.
- Limpie el elemento de papel (2) con suaves movimientos para eliminar la suciedad y el polvo.

Bujía

- Compruebe que el capuchón y el cable de encendido estén intactos para evitar sacudidas eléctricas.
- Limpie los depósitos de carbonilla del electrodo de la bujía con un limpia-bujías o un cepillo de alambre.

Vaso de combustible

- Examine el vaso de combustible para ver si hay agua o suciedad.
- Para eliminar el agua y la suciedad, cierre el grifo de combustible y extraiga el vaso.
- Una vez eliminados la suciedad y el agua, lave el vaso de combustible con queroseno o gasolina.
- Reinstálelo con cuidado para evitar fugas.

Comprobar

Inspección general

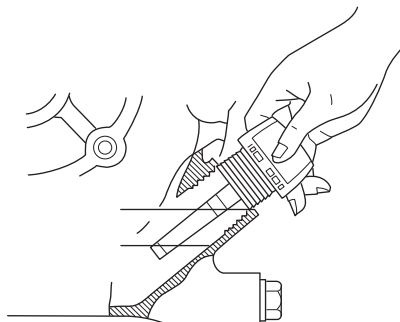
- Compruebe que los tornillos y las tuercas estén apretados.
- Vea si hay fugas de combustible y aceite.
- **Soff-Cut 150 D:** Compruebe que las ruedas guía frontal y trasera giran libremente.

Plancha protectora (Soff-Cut 150)

- Compruebe si la ranura de la cuchilla está dañada o excesivamente gastada.
- Compruebe que la superficie de hormigón no presente rebabas ni torceduras.
- Instale una nueva plancha protectora cada vez que renueve la cuchilla. Nunca reutilice las planchas protectoras.
- Levante las partes frontal y trasera de la plancha protectora para que la cuchilla se deslice sola por ella.

Nivel de aceite

- Pare el motor.
- Baje la máquina y asegúrese de que el motor está nivelado.
- Quite la tapa de aceite y limpie la varilla de nivel.
- Controle el nivel de aceite. No enrosque la varilla de nivel de aceite en el tubo de llenado para comprobar el nivel de aceite.



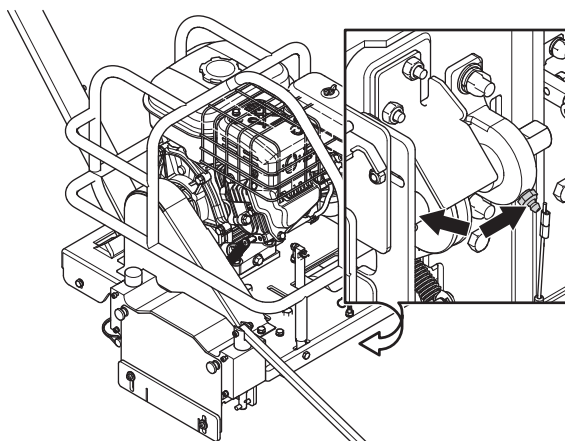
- Si el nivel de aceite es demasiado bajo, ponga aceite de motor hasta la marca de nivel superior de la varilla de medición. Consulte las instrucciones del apartado «Datos técnicos», donde encontrará la especificación del aceite.
- Enrosque el tapón de llenado de aceite.

Correa de transmisión

- Compruebe que la correa de transmisión está intacta y no presenta defectos visibles.
- El tensor de correa controla la tensión de esta y no necesita ajustes.
- Compruebe que el tensor de correa se mueve con facilidad hacia arriba y hacia abajo.
- Asegúrese de que los cojinetes del tensor de correa giran libremente.

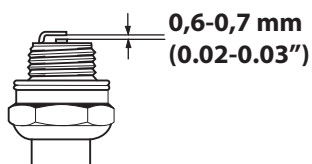
Cojinetes del eje de la cuchilla

- Lubrique los cojinetes del eje de la cuchilla con tres aplicaciones de grasa a base de litio 12.



Bujía y distancia entre los electrodos

- Consulte las instrucciones del apartado «Limpieza».
- Compruebe la distancia entre los electrodos. Debería ser de entre 0,6 mm y 0,7 mm (0,02-0,03 pulg.).



- Ajuste la distancia, si es necesario, doblando con cuidado el electrodo lateral.

Cambio

Aceite

Cambie el aceite después de las primeras 20 horas de uso; a partir de entonces, cada 100 horas.

Cambie el aceite del motor mientras el motor esté caliente.

- Pare el motor.
- Coloque una cubeta bajo el drenaje y quite el tapón.
- Vacíe el aceite en el recipiente.
- Put the plug back and fill with new oil.
- Cuando esté lleno, el nivel de aceite debería llegar a la marca superior de la varilla.

Sensor de aceite

El motor está equipado con un sistema de aviso de aceite que detiene el motor cuando desciende el nivel.

El motor no arrancará hasta que el nivel supere el límite preestablecido.

Eliminación

El aceite, anticongelante, etc., de un motor usado son perjudiciales para la salud y no deben desecharse en el suelo ni en la naturaleza: siempre deben desecharse en un taller o un lugar adecuado para su eliminación.

Elemento purificador de aire

Consulte las instrucciones del apartado «Limpieza».

- Sustituya el elemento de papel una vez al mes o antes si es necesario.

Más información sobre el motor

Consulte el manual de instrucciones del motor para obtener más información sobre su mantenimiento.

Este manual también contiene información concreta sobre las especificaciones, las piezas de puesta a punto, la garantía, la normativa sobre emisiones, etc.

LOCALIZACIÓN Y CORRECCIÓN DE AVERÍAS

Tabla de localización de fallos



¡ATENCIÓN! La mayoría de accidentes con máquinas se producen durante la localización de fallos, reparación y mantenimiento, ya que el personal tiene que localizar por sí mismo la zona de riesgo de la máquina. Evite los accidentes estando alerta y planificando y preparando los trabajos con antelación.

Durante las operaciones que se describen en este capítulo, el motor debería estar apagado (a menos que se indique lo contrario).

La sierra crea un corte desbaste y mellado (Soff-Cut 150)	Compruebe si la cuchilla de diamante está gastada, arañada, combada o dañada.
	Asegúrese de que la plancha protectora se mueve libremente hacia arriba y hacia abajo a lo largo del eje, sin entrar en contacto con la cuchilla de diamante.
	Compruebe que la plancha protectora no esté excesivamente gastada y que no haya demasiado espacio alrededor de la cuchilla de diamante.
	Compruebe que la parte inferior de la plancha protectora no presente rebabas de metal ni irregularidades.
	Asegúrese de que la plancha protectora no esté torcida ni doblada.
	Compruebe que las cubiertas de lexan se mueven libremente hacia arriba y hacia abajo.
	Compruebe que hay suficiente presión hacia abajo en cada extremo de la plancha protectora.
	No tuerza ni mueva la sierra hacia un lado mientras corta. Para controlar la sierra en el corte, haga cambios graduales de presión en el manillar.
	Compruebe que el motor funcione correctamente y con una aceleración máxima.
	Compruebe que la tensión es correcta examinando la correa y el tensor de correa.
	Asegúrese de que la cuchilla de diamante está bien instalada y fijada, y que sus bordes están limpios.
	Asegúrese de que la especificación de la cuchilla de diamante es la correcta para su región.
	Compruebe que la losa esté limpia y no presenta restos que puedan levantar la plancha protectora o la sierra al cortar.
	Utilice protectores de junta de Husqvarna en todas las intersecciones de corte.
	Limpie cualquier resto de hormigón del conjunto del bloque de la cuchilla.
	Asegúrese de que los raspadores del bloque de la cuchilla no están doblados ni atascados.
Compruebe que los ejes del bloque de la cuchilla no están doblados ni dañados.	
El corte en bisel o en radio es irregular (Soff-Cut 150 D)	Compruebe si la cuchilla de diamante está gastada, arañada, combada o dañada.
	Asegúrese de que las ruedas guía frontales y traseras se mueven libremente hacia arriba y hacia abajo sin atascarse.
	Asegúrese de que las ruedas guía frontal y trasera giran libremente.
	No empuje la sierra con excesiva rapidez. Si sierra con una rapidez excesiva la cuchilla saltará del hormigón.
	Antes de empezar, asegúrese de que las ruedas guía están alineadas con el corte de sierra existente.
	Compruebe que no haya suciedad ni desechos en el interior de los cortes de sierra.
	Compruebe que las cubiertas de lexan se mueven libremente hacia arriba y hacia abajo.
	Compruebe que hay suficiente presión hacia abajo en cada extremo de la plancha protectora.
	No tuerza ni mueva la sierra hacia un lado mientras corta. Para controlar la sierra en el corte, haga cambios graduales de presión en el manillar.
	Compruebe que el motor funcione correctamente y con una aceleración máxima.
	Compruebe que la tensión es correcta examinando la correa y el tensor de correa.
	Asegúrese de que la cuchilla de diamante está bien instalada y fijada, y que sus bordes están limpios.
	Asegúrese de que la losa esté limpia y sin desechos que puedan levantar la sierra al cortar.
	Limpie cualquier resto de hormigón del conjunto del bloque de la cuchilla.
	Asegúrese de que los raspadores del bloque de la cuchilla no están doblados ni atascados.
	Compruebe que los ejes del bloque de la cuchilla no están doblados ni dañados.
Vuelva a cortar la junta en dirección contraria.	

LOCALIZACIÓN Y CORRECCIÓN DE AVERÍAS

La sierra empuja hacia un lado mientras trabaja	Soff-Cut 150:
	Compruebe que la guía frontal está bien alineada con el centro de la cuchilla de diamante.
	Soff-Cut 150 D:
	Compruebe que las guías frontal y trasera están bien alineadas con el centro de la cuchilla de diamante.
	Compruebe si la cuchilla de diamante está gastada, arañada, combada o dañada.
	No tuerza ni mueva la sierra hacia un lado mientras corta. Para controlar la sierra en el corte, haga cambios graduales de presión en el manillar.
	Asegúrese de que todas las ruedas giran suave y libremente.
	No fuerce la sierra. Deje que la cuchilla corte a su propio ritmo.
El motor no arranca	Soff-Cut 150:
	Compruebe que la plancha protectora no presente daños ni rebabas.
	Compruebe que haya combustible en el depósito y que sea del tipo correcto. Asegúrese de que no haya agua en el combustible.
	Compruebe que el paso de combustible se encuentra en la posición «on».
	Compruebe que el interruptor encender/apagar se encuentra en la posición «ON».
	Asegúrese de que el cable de la bujía esté conectado a la bujía.
	El motor se cala. Ajuste el estrangulador tal y como se indica en el manual de instrucciones del motor.
	Compruebe que el estrangulador se encuentra en la posición «ON» para arranque en frío. Ajuste el estrangulador tal y como se indica en el manual de instrucciones del motor.
El motor funciona con tosquedad, hay explosiones del carburador o no puede alcanzar la velocidad máxima.	El nivel de aceite es demasiado bajo. El motor está equipado con un sistema de aviso de aceite que no permite arrancar el motor hasta que el nivel de aceite alcance el rango correcto.
	Compruebe que el purificador de aire no está sucio ni obstruido.
	Compruebe que el eje de la cuchilla gira libremente y que no hay cemento acumulado en el bloque de la cuchilla.
	Compruebe que haya combustible en el depósito y que sea del tipo correcto. Asegúrese de que no haya agua en el combustible.
	El nivel de aceite es demasiado bajo. El motor está equipado con un sistema de aviso de aceite que no permite arrancar el motor hasta que el nivel de aceite alcance el rango correcto.
	Compruebe que el purificador de aire no está sucio ni obstruido.
El motor funciona con tosquedad, hay explosiones del carburador o no puede alcanzar la velocidad máxima.	Compruebe que la bujía está limpia y bien centrada.
	Revise que la palanca del acelerador se haya instalado correctamente.
	Compruebe que el estrangulador se encuentra en la posición «ON» para arranque en frío. Ajuste el estrangulador tal y como se indica en el manual de instrucciones del motor.
	Compruebe que el estrangulador se encuentra en la posición «ON» para arranque en frío. Ajuste el estrangulador tal y como se indica en el manual de instrucciones del motor.

DATOS TECNICOS

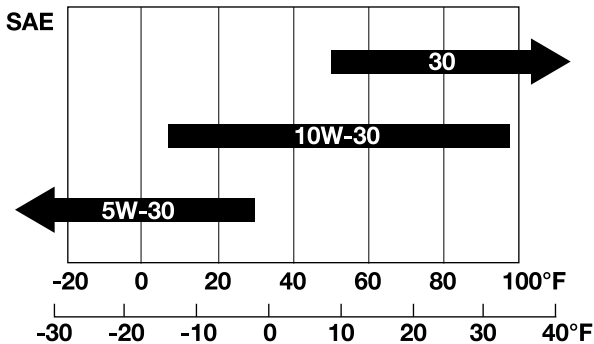
Datos técnicos

Motor

Model	Subaru Robin EX 13
Tipo	Motor de gasolina, con árbol de levas en culata, un cilindro inclinado de cuatro ciclos y refrigerado por aire.
Emisiones	Cumple con las normas EPA Phase 2 y CARB Tier II USA
Salida máxima del motor (véase la nota 1)	4,3hp@4000rpm (3,2kW@4000rpm)
Volumen del depósito de combustible, litros (galones)	2,7 (0.7)
Purificador de aire	Tipo ciclónico (elemento dual de tipo seco con prelimpiador).
Refrigeración	Refrigeración aérea con aleta de refrigeración internas y externas.
Bujía	NGK BR-6HS (CHAMPION RL86C)
Sistema de aceite	Sistema de aviso de aceite con sensor de apagado automático.
Volumen del depósito de aceite, litros (cuartos de galón)	0,6 (0.6)
Tipo de aceite	Aceite detergente para motor de cuatro tiempos de clase de servicio API SE o grado superior.

Nota 1: Nota 1: como lo especifica el fabricante del motor. La calificación de potencia de los motores indicados corresponde a la salida de potencia neta promedio (en rpm especificada) de un motor de producción típica para el modelo de motor medido según ISO3046. Los motores de producción masiva podrían diferir de este valor. La salida de potencia real para el motor instalado en la máquina final dependerá de la velocidad de funcionamiento, las condiciones medioambientales y otras variables.

Viscosidad: aceite



Peso y dimensiones

	Soff-Cut 150	Soff-Cut 150 D
Peso sin combustible, kg (lbs)	38 (84)	44 (96)
Peso con combustible, kg (lbs)	41 (91)	47 (104)
Longitud (mango plegado), mm (pulg.)	864 (34)	864 (34)
Anchura, mm (pulg.)	483 (19)	483 (19)
Altura, mm (pulg.)	533 (21)	533 (21)

DATOS TECNICOS

Hoja

	Soff-Cut 150	Soff-Cut 150 D
Tipo de cuchilla	Cuchillas Excel, corte seco con triple mandril	Cuchillas biseladas y en radio ProEdge
Material	Solo hormigón fresco	Juntas de control solo en hormigón curado
Tamaño máx. del disco, mm (pulgadas)	152 (6)	152 (6)
Profundidad máxima de corte, mm (pulg.)	30 (1 3/16)	30 (1 3/16)
Distancia de corte desde la pared, mm (pulg.)	76 (3)	114 (4 1/2)
Rotación de la cuchilla	En sentido contrario a las agujas del reloj, corte ascendente	En sentido contrario a las agujas del reloj, corte ascendente
Velocidad del eje de la cuchilla, r. p. m.	4450 (media 3800)	4450 (media 3800)
Control de profundidad de la cuchilla	Manual	Manual

Velocidad media de corte

Estimación. La velocidad varía en función de las condiciones de trabajo y las mezclas de hormigón.

Aglomerados blandos, m/min (ft/min)	3,7 (12)
Aglomerados medios, m/min (ft/min)	2,4 (8)
Aglomerados duros, m/min (ft/min)	1,2 (4)



www.husqvarnacp.com

US - Original instructions, FR - Instructions d'origine, ES - Instrucciones originales



1153980-95

2016-02-29