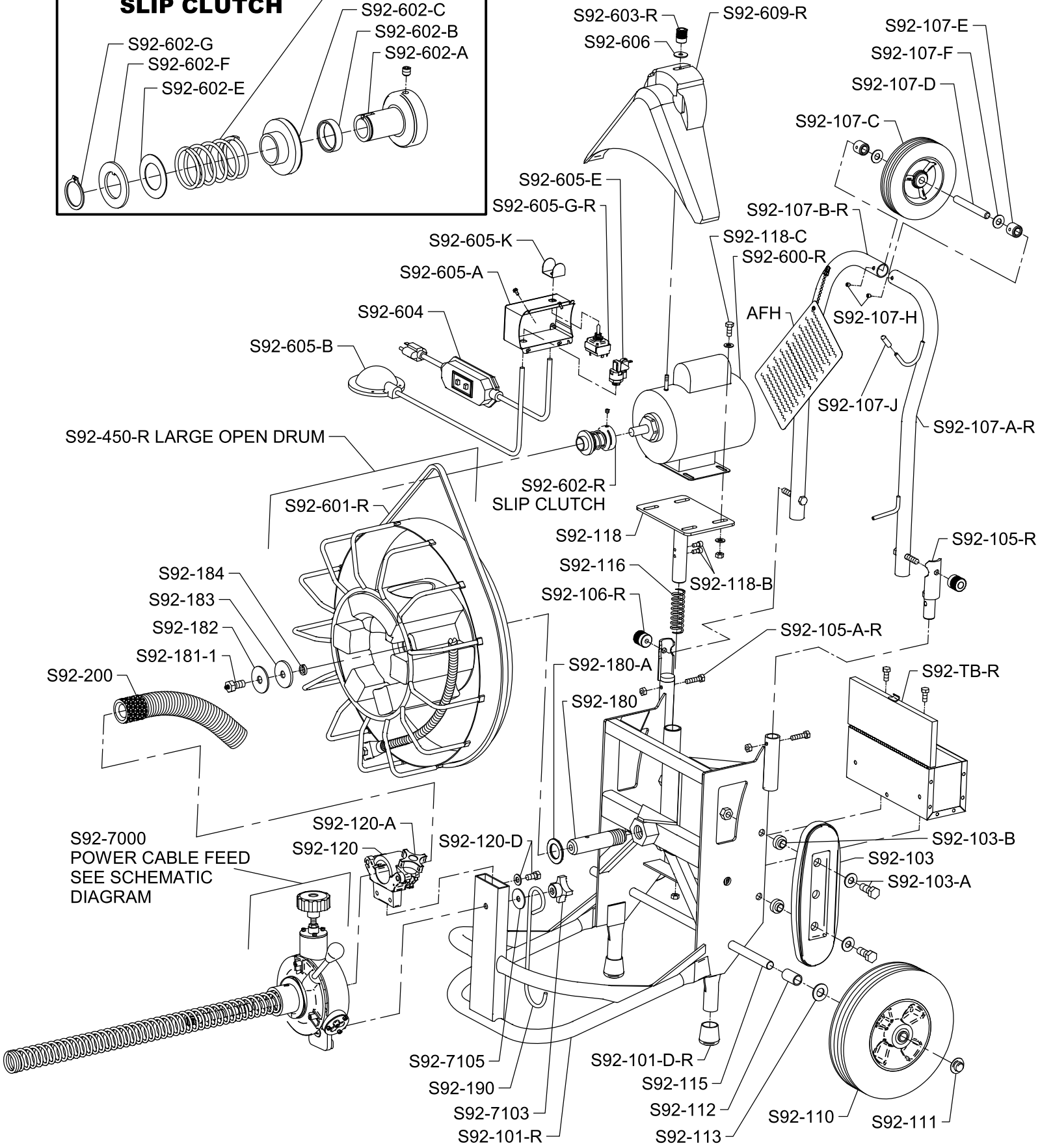
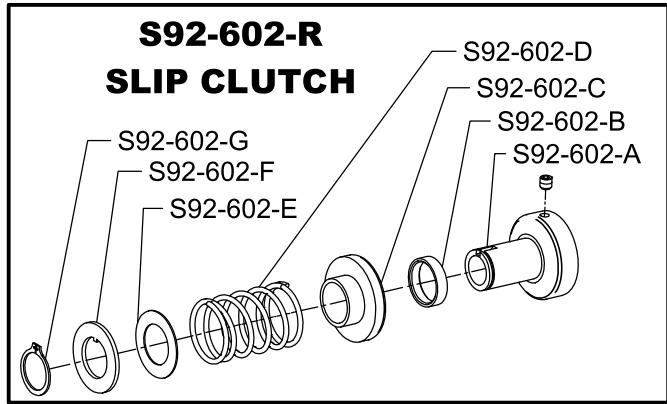


## SPEEDROTER 92R PARTS LIST

ITEM NO.	CATALOG NO.	DESCRIPTION	ITEM NO.	CATALOG NO.	DESCRIPTION
170640	S92-100-R	Frame Complete w/Axle	136000	GFI-20	20 ft. Power Cord w/GFCI
170650	S92-101-R	Frame Only w/Axle	170910	S92-605-R	Air Foot Switch & Reverse Switch Assembly
170660	S92-101-D-R	Rubber Leg Tips	154326	S92-605-A	Box Only w/Cover & Screws
156045	S92-103	Stair Climber w/Belt (1)	136170	S92-605-B	Foot Pedal & Hose
156050	S92-103-A	Nuts, Bolt, & Washers (2)	154328	S92-605-C	Hose Clamp
156055	S92-103-B	Spacers (2)	136080	S92-605-E	Power Switch Diaphragm
170670	S92-105-R	Handle Hinge	136210	S92-605-G-R	Momentary Contact Reverse Switch (Red)
170680	S92-105-A-R	Handle Hinge Bolts & Nuts (2)	170920	S92-605-K	Switch Guard
170690	S92-106-R	Handle Locking Knobs	156395	S92-605-N	Strain Relief Nut
170700	S92-107-R	Handle Assembly	156335	S92-606	Belt Guard Washer
170710	S92-107-A-R	Handle - Left	170930	S92-609-R	Belt Guard (1/3 hp) w/Slot
170720	S92-107-B-R	Handle - Right	170900	S92-601-R	V-Belt (62")
156075	S92-107-C	6" Handle Wheel	170943	S92-7000-R	Power Cable Feed Assembly
156080	S92-107-D	Axle for Handle Wheel	156350	S92-7101	Feed Body
156085	S92-107-E	Bushings (2)	156355	S92-7101-1	Feed Body for One Piece Feed Control Disk
156090	S92-107-F	Felt Washers (2)	156360	S92-7101-A	Lifting Spring
156105	S92-107-H	Set Screws (2)	156363	S92-7101-B	Guide Pins (2)
170730	S92-107-J	Rubber Cord Wrap Tip	155012	S92-7102	Mounting Stud
156135	S92-110	10" Wheel w/Retaining Cap (1)	156370	S92-7103	Mounting Knob
156140	S92-111	Wheel Retaining Cap (2)	155020	S92-7104	Spout & Retaining Cover
156145	S92-112	Axle Spacer (2)	156355	S92-7104-1	Spout for One Piece Feed Control Disk
170740	S92-113	Wheel Spacer Washers	156380	S92-7105	Steel Washer
156150	S92-115	Axle	155025	S92-7200-R	Top Roller Assembly
170750	S92-116	Motor Support Spring	155031	S92-7210	Top Carrier Only
170760	S92-118	Motor Support Platform	155035	S92-7220-R	Swing Pin
170770	S92-118-B	Guide Screws (2)	155041	S92-7225	Feed Roller Shaft
156168	S92-118-C	Nuts, Bolt, & Washers (4)	136120	S92-7250	Feed Roller w/Bearing
156170	S92-120	Front Bearing Assembly	155060	S92-7301	Feed Pressure Knob
156174	S92-120-A	Front Bearing Knob	155062	S92-7301-A	Limiting Nut
156183	S92-120-D	Bolts, Nuts, & Washers (2)	155066	S92-7315	Pressure Spring
170780	S92-180	Drum Shaft	155070	S92-7330	Ball Bearing
170790	S92-180-A	Wear Washer	155076	S92-7331	Ball Bearing Holder
170800	S92-181-1	Drum Shaft Retaining Bolt w/Grease Fitting	155080	S92-7340	Top Cover
170810	S92-182	Retaining Washer	155085	S92-7341	Cover Screws (3)
170820	S92-183	Felt Washer	155092	S92-7400-R	Bottom Roller Assembly
170823	S92-184	High Collar Lock Washer	155096	S92-7410	Bottom Carrier Only
170825	S92-190	Guide Tube Holder	155035	S92-7420-R	Swing Pin
170630	S92-200	Spring Distributor Tube Assembly	155106	S92-7425	Bottom Roller Shaft
170620	S92-450-R	Open Drum Complete	136120	S92-7450	Bottom Roller w/Bearing
170830	S92-452-R	Open Drum Shell	155130	S92-7530	Thrust Bearing
170840	S92-454	Drum Hub Bearings (2)	155135	S92-7540	Cable Adjustment Plate
170880	S92-456	Bushing	155140	S92-7541	Plate Screws (3)
170850	S92-460-R	Drum Connecting Cable (for 5/8" & 3/4" Cables) w/ Nut, Screw, & Lock Washer	155145	S92-7601	Feed Control Disc w/Lever & Knob
170860	S92-460-A-R	Connecting Cable Nut, Screw, & Lock Washer	155182	S92-7601-A	Lever & Knob
170870	S92-490	Inner Drum Cage for Large Drum	155150	S92-7601-1	Feed Control Disk (One Piece)
170873	S92-490-B	Inner Drum Cage Bushing	155190	S92-7635	Wave Washer
170874	S92-490-C	Screws & Washers (3)	155195	S92-7635-1	Wave Washer for One Piece Feed Control Disk
170890	S92-600-R	1/3 hp Motor Complete w/Air Foot Switch, Reverse Switch, & GFCI	136110	PO-703	Set of Feed Rollers (3)
136180	S92-602-1	Slip Clutch	170950	S92-TB-R	Tool Box w/Bolts & Nuts
165720	S92-602-A	Fixed Pulley Half	156006	S92-GT	Guide Tube for Speedroter 92
165730	S92-602-B	Spacer	146160	GTE	Guide Tube Extension
165740	S92-602-C	Moveable Pulley Half	132210	S92-DECAL	Set of Safety Decals
165750	S92-602-D	Spring	132375	S92-DVD	Instructional DVD
165760	S92-602-E	Thrust Washer	170990	AFH	Condensed Operating Instructions (Instructions w/Chain & Fittings, Connector, & Screw)
165770	S92-602-F	Thrust Bearing	157000	92ROI	Complete Operating Instructions
165780	S92-602-G	Retaining Ring	130080	SRCS-R	Senior Rental Cutter Set
156325	S92-603-R	Knob for Belt Guard	122080	100EM5	Flexicore Cable, 3/4" x 100 ft. w/ Male & Female Conn.
			122040	100EM4	Flexicore Cable, 5/8" x 100 ft. w/ Male & Female Conn.

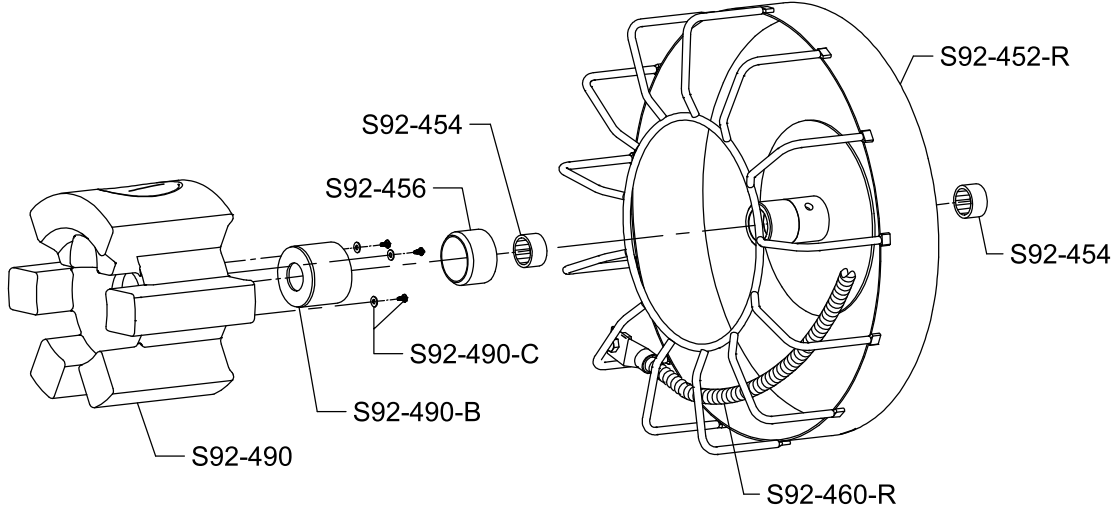
# SPEEDROOTER 92R SCHEMATIC DIAGRAM



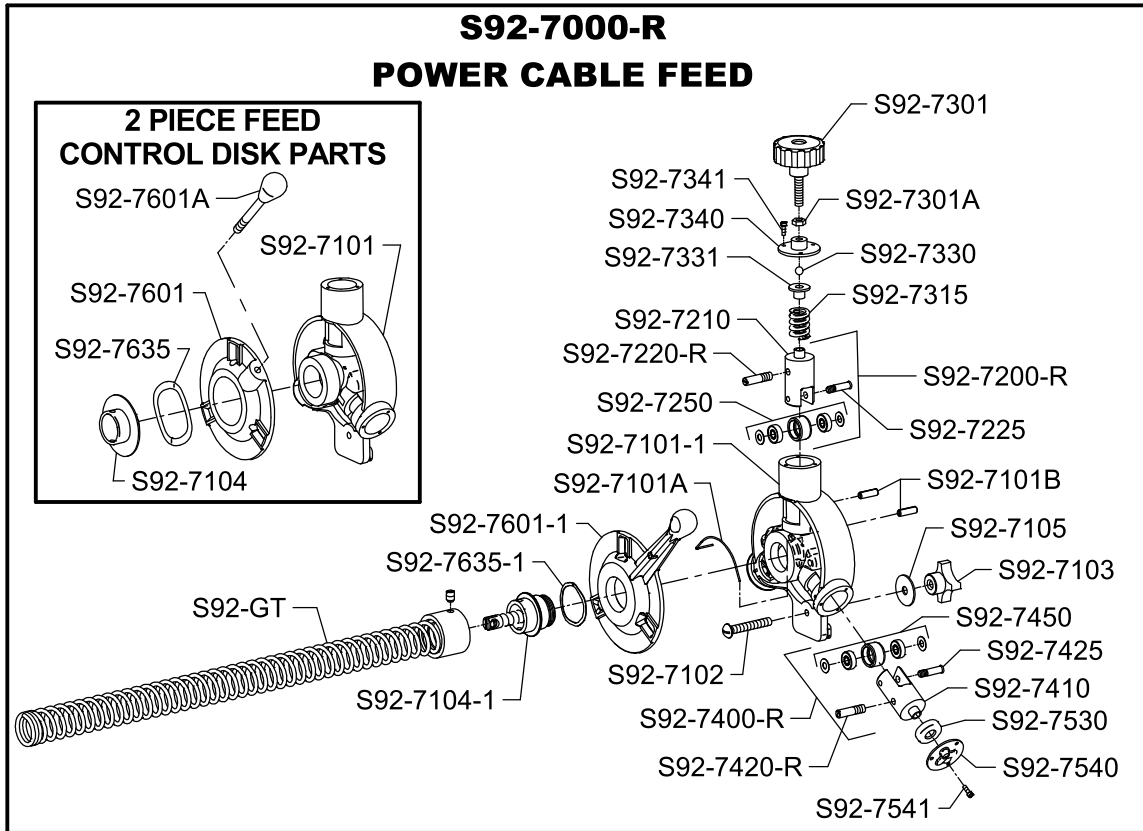
**IMPORTANT: When ordering, give Serial Number of Machine.**

# SPEEDROOTER 92R SCHEMATIC DIAGRAM

## S92-450-R LARGE DRUM



## S92-7000-R POWER CABLE FEED



**IMPORTANT: When ordering, give Serial Number of Machine.**