

KStrong® Kapture™ Elite 5-Point Full Body Harness, Dorsal D-Ring, MB Legs (ANSI)

KStrong® Kapture™ Elite 5-Point Adjust Full Body Harness with One (1) Dorsal D-Ring and Mating Buckle Leg Closures (ANSI)

MODEL	SIZE	WEIGHT
UFH10201P(S-M)	Small to Medium	3.14 lbs. ± 0.02 lbs. (1424 gm ± 10 gm)
UFH10201P(M-L)	Medium to Large	3.26 lbs. ± 0.02 lbs. (1479 gm ± 10 gm)
UFH10201P(L-XL)	Large to X-Large	3.36 lbs. ± 0.02 lbs. (1524 gm ± 10 gm)

DESIGN

- One dorsal attachment D-ring for fall arrest.
- Adjustable Shoulder straps.
- Adjustable leg straps.

WEBBING

Material: Polyester
Width: 1.73 in. ± 0.04 in. (44mm ± 1mm)
Breaking Strength: 5000 lbs.

STITCHING THREAD

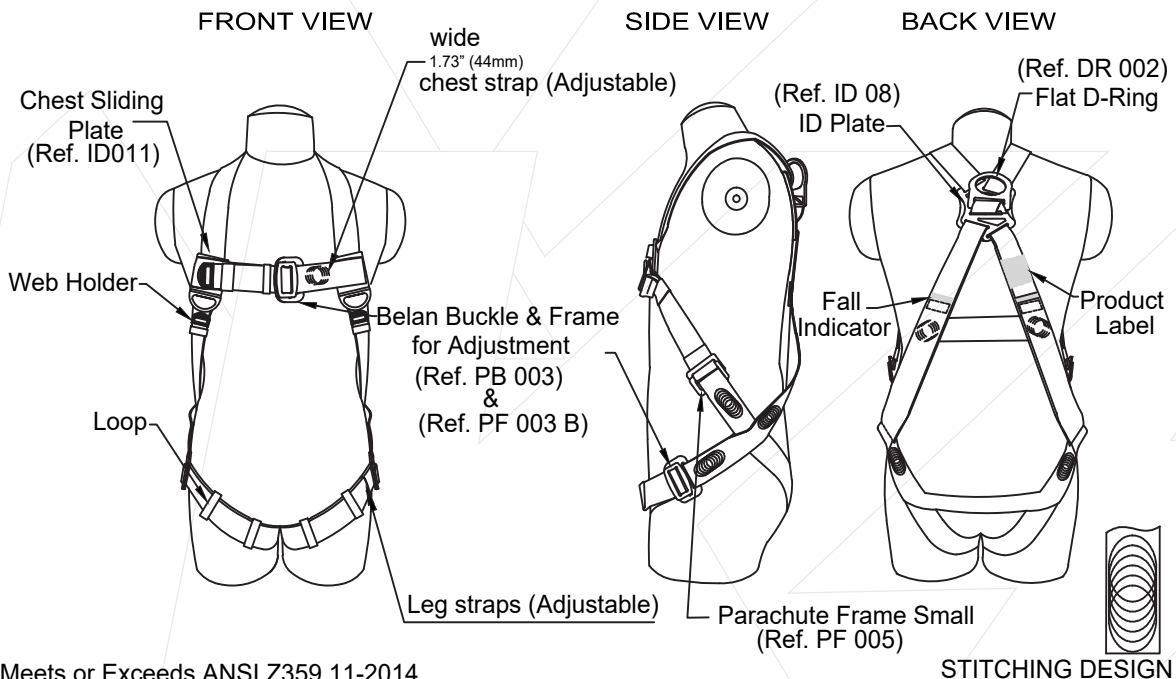
Material: High-tenacity polyester

METAL COMPONENT

Material: Alloy Steel
Finish: Silver or Golden Yellow Galvanized

RELEVANT STANDARDS

Meets or Exceeds ANSI Z359.11-2014



KStrong® Hinged reusable steel roof anchor (ANSI)

Model: UFA30001

KStrong® Hinged reusable galvanized steel roof anchor with D-Ring and powder coated (ANSI)

DESIGN

- An ideal anchorage device to be fixed on wooden beams used in roofing.
- Consists of two steel flaps each having 16 holes which can be fitted on the two sides of a wooden beam by means of nails inserted in the holes.
- The D-ring DR 002 can be safely used as an anchorage point.

CABLE

Material : High Strength Alloy Steel
 Breaking Strength : 5000 lbs.
 Finish : Power Coated or Zinc Plated

STATIC STRENGTH

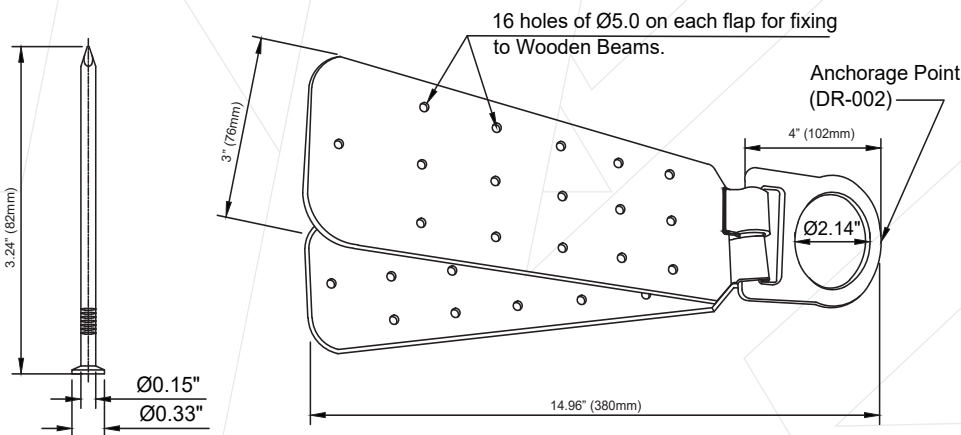
The anchorage connector shall be capable of resisting a static load of atleast 5000 lbs. for 1 minute.

WEIGHT

2.36 lbs. ± 0.22 lbs. (1070 gm ± 100 gm)

RELEVANT STANDARDS

Meets or Exceeds ANSI Z359.1-2007



NAIL (NA-001)

Meets or Exceeds ANSI Z359.1:2007

KStrong® 50 ft. Vertical Rope Lifeline, Locking Snap hook on anchor end, other end cut and taped

Model: UFR100050

KStrong® 50 ft. Vertical 5/8" Diameter Polysteel Rope Lifeline,
Locking Snap hook on anchor end, other end cut and taped
(ANSI)

DESIGN

- This lifeline is made up of high strength Polysteel Twisted rope
- The diameter of the rope is 5/8"
- It is provided with snap hook (PN 146) spliced at one end and the other side a stop knot

LENGTH

50 ft.

MATERIAL

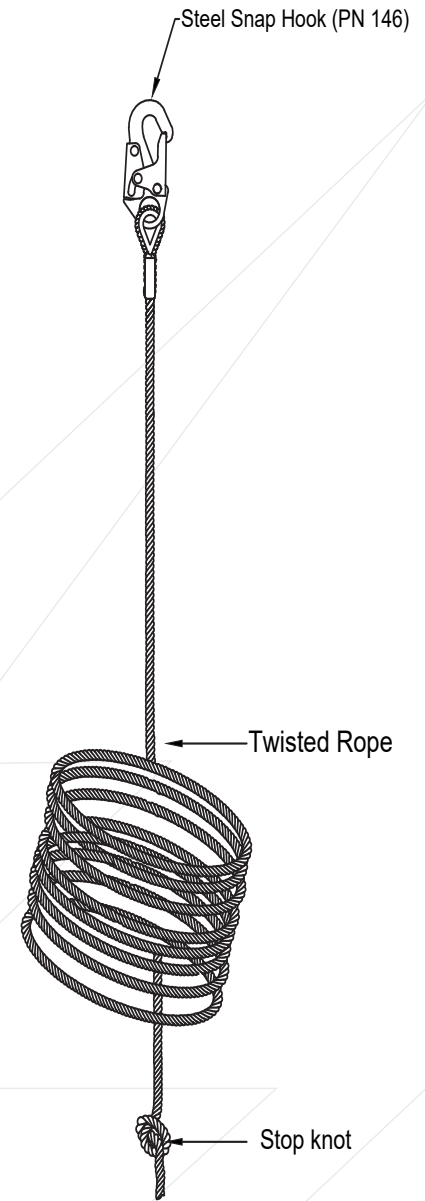
Polysteel

WEIGHT

7.91 lbs. ± 0.02 lbs. (3588 gm. ± 10 gm)

RELEVANT STANDARDS

Meets or Exceeds ANSI Z359.1-2007



Meets or Exceeds ANSI Z359.1-2007

KStrong® 3 ft. Manual Shock Absorbing Rope Grab Assembly (ANSI)

Model: UFG611020

KStrong® 3 ft. Manual Shock Absorbing Rope Grab Assembly for 5/8" Diameter Approved Rope Vertical Lifelines. One (1) snap hook on end connecting to harness, other end having manual rope grab (ANSI)

DESIGN

- Connected with shock pack PN 500 and has snap hook(PN-146) as attachment.
- 1.73" (44mm) wide tear webbing for energy absorption.
- 1.73" (44mm) wide polyester webbing as backup strap and stitched around the free end of tear webbing to form loops for attachment. The entire assembly folded and packed in thick Polyethylene sleeve with synthetic labels.
- Rope Grab is used for rope access.

WEBBING

Material : Polyester.
Width : 1.73" ± 0.04" (44 ±1 mm)
Breaking strength : 6000 lbs. (2722kg) -Min

STITCHING THREAD

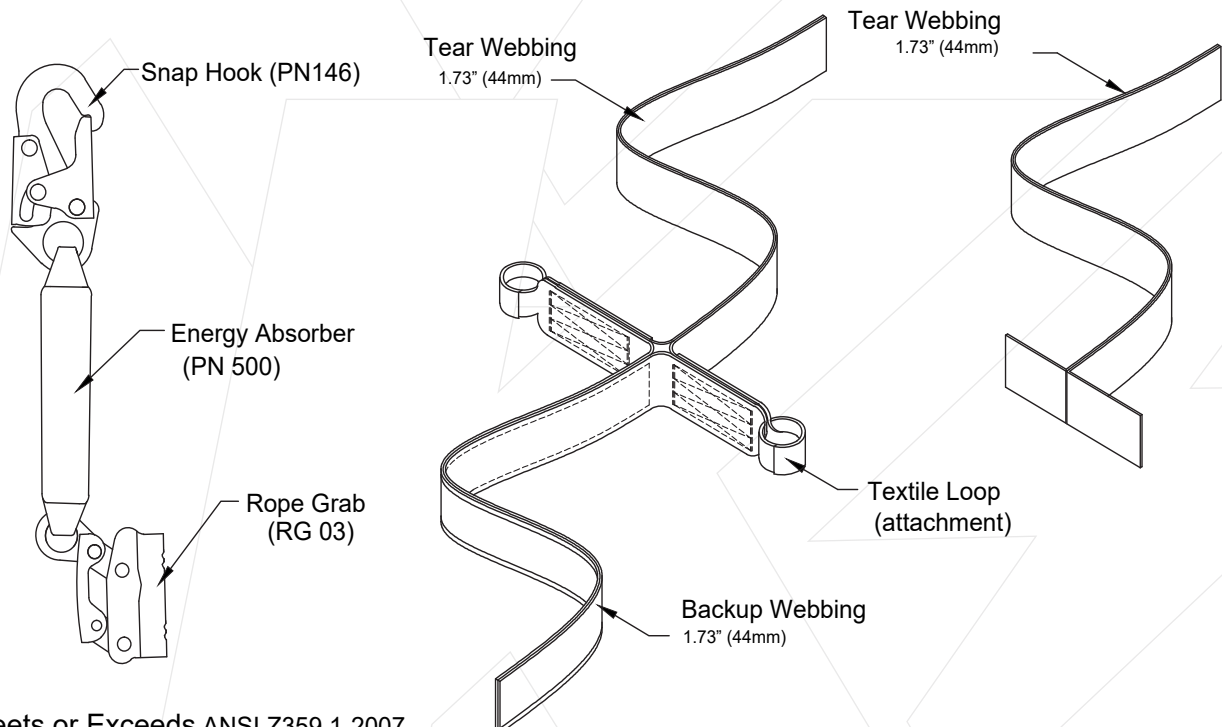
Made of high strength alloy steel

WEIGHT

2.60 lbs. ± 0.02 lbs. (1179 gm. ± 10 gm)

RELEVANT STANDARDS

Meets or Exceeds ANSI Z359.1-2007



Meets or Exceeds ANSI Z359.1-2007