

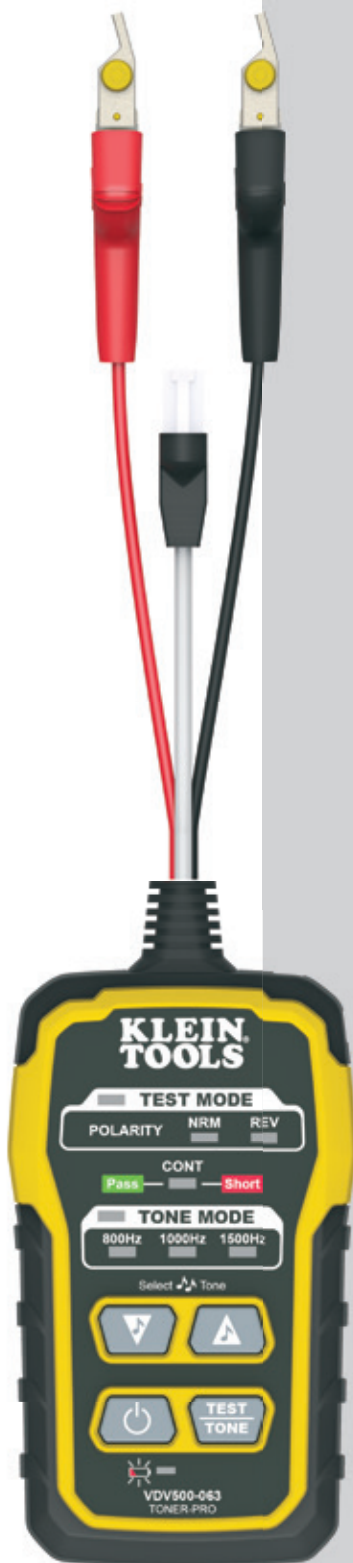
# INSTRUCTION MANUAL

## Toner-Pro / Probe-Pro Kit

- TRACE INDIVIDUAL OR PAIRED WIRES
- TEST RJ11, RJ12, AND RJ45 JACKS
- DETECTS CONTINUITY AND POLARITY
- 5 DISTINCT TONES (3 CONSTANT, 2 ALTERNATING)
- EASY-TO-UNDERSTAND STATUS LEDs
- REPLACEABLE PROBE TIP



VDV500-123



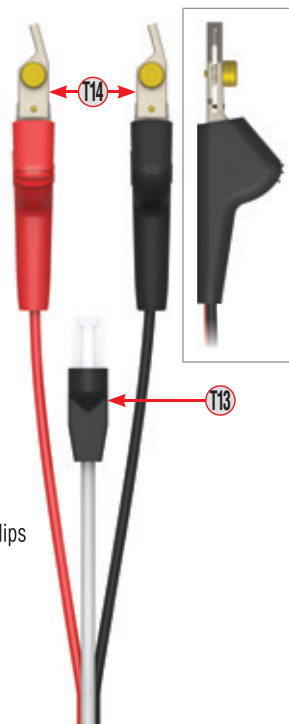
VDV500-063

**GENERAL SPECIFICATIONS - VDV500-063 TONER-PRO**

The Klein Tools VDV500-063 Toner-Pro is a professional-series tone generator for wire identification, wire tracing and wire pair identification. It features several tone frequencies and strong power output for tracing wires.

- **Operating Altitude:** 6562 ft. (2000 m) maximum
- **Relative Humidity:** 10% – 90% non-condensing
- **Operating Temp:** 14° to 122°F (-10° to 50°C)
- **Storage Temp:** -4° to 140°F (-20° to 60°C)
- **Dimensions:** 2.5" x 5" x 1" (64 x 127 x 25 mm)
- **Weight:** 7.4 oz. (210 g) including batteries
- **Battery Type:** 4 x 1.5V AAA Alkaline
- **Battery Life: Active:** 120 hours  
**Standby/Storage:** 3 years
- **Auto-Power Off:** After 60 minutes of inactivity
- **Tones: Constant:** 800Hz, 1000Hz, 1500Hz  
**Alternating:** 800Hz/1000Hz, 1000Hz/1500Hz
- **Tone Power:** 8dBm
- **Continuity Indication:** Less than 10kΩ
- **Voltage Protection: Test Mode:** 60V  
**Tone Mode:** 20V through external 600Ω

Specifications subject to change.



**FEATURE DETAILS**

- |  |   |
|--|---|
| <b>T1</b> TEST MODE Indicator                | <b>T9</b> Power On/Off Button                   |
| <b>T2</b> "NRM" (Normal) Polarity Indicator  | <b>T10</b> TEST/TONE Button                     |
| <b>T3</b> "REV" (Reverse) Polarity Indicator | <b>T11</b> Battery Status Indicator             |
| <b>T4</b> "CONT" (Continuity) Indicator      | <b>T12</b> Lanyard Slot                         |
| <b>T5</b> TONE MODE Indicator                | <b>T13</b> RJ11 Test Plug                       |
| <b>T6</b> Tone Frequency Indicators          | <b>T14</b> ABN (Angled Bed-of-Nails) Test Clips |
| <b>T7</b> Tone Mode Down selector button     | <b>T15</b> Battery Cover                        |
| <b>T8</b> Tone Mode Up selector button       | <b>T16</b> Battery Cover Screw (#2 Phillips)    |



## GENERAL SPECIFICATIONS - VDV500-123 PROBE-PRO

The Klein Tools VDV500-123 Probe-Pro is a professional-series tone tracer, featuring an inductive probe with speaker for amplification, and LED light for use in dark spaces. It also features a headphone jack for use in extreme noise environments.

- **Operating Altitude:** 6562 ft. (2000 m) maximum
  - **Relative Humidity:** 10% – 90% non-condensing
  - **Operating Temp:** 14° to 122°F (-10° to 50°C)
  - **Storage Temp:** -4° to 140°F (-20° to 60°C)
  - **Dimensions:** 1.75" x 8.88" x 1.13" (44 x 226 x 29 mm)
  - **Weight:** 5.7 oz. (161.6 g) including batteries
  - **Battery Type:** 4 x 1.5V AAA Alkaline
  - **Battery Life: Active:** 25 hours  
**Standby/Storage:** 3 years
  - **Auto-Power Off:** After 10 minutes of inactivity
- Specifications subject to change.*

## FEATURE DETAILS

- P1** Replaceable Inductive Polymer Tip (VDV999-068)
- P2** Worklight
- P3** Worklight On/Off Button
- P4** Signal Strength Indicator
- P5** Power On/Off Button
- P6** Volume Increase Button
- P7** Volume Decrease Button
- P8** Battery Status Indicator
- P9** Speaker

- P10** Lanyard Slot
- P11** "-" (Negative) Terminal
- P12** "+" (Positive) Terminal
- P13** Terminal Release Buttons
- P14** Verification Indicator
- P15** Battery Cover
- P16** Battery Cover Screw (#2 Phillips)
- P17** 3.5mm Headphone Jack\*

\*⚠ **CAUTION:** Excessive volume can cause permanent hearing damage. Use as low a volume as possible.



## ⚠ WARNINGS

*To ensure safe operations and service of the instruments, follow these instructions. Failure to observe these warnings can result in fire, electric shock, severe injury or death.*

- The Toner-Pro and Probe-Pro are designed for use on extra-low voltage cabling systems (less than 60 volts) for testing when **NOT** energized.
- The maximum voltage across ABN Test Clips of the Toner-Pro is 60 volts in Test mode, and 20 volts in Continuity mode. Connecting the Probe-Pro to live mains AC power may damage it and pose a safety hazard for the user.
- **DO NOT** use instruments if they are wet, as it could pose a shock hazard.
- **DO NOT** use instruments if they are damaged in any way.
- Turn off instruments and disconnect all ABN Test Clips before attempting to replace batteries.
- The battery door must be in place and secure before you operate the instrument.
- **DO NOT** open the case, other than the battery compartment.

## OPERATING INSTRUCTIONS

**READ ALL INSTRUCTIONS BEFORE OPERATING AND RETAIN INSTRUCTIONS FOR FUTURE REFERENCE**

### CONTINUITY TEST

The Toner-Pro transmits frequencies on non-energized wires only. When the Toner-Pro is turned on, a continuity test will be performed to determine if the 2 wires to be traced are in close proximity to each other, without a conductive path between them. The "CONT" Indicator (T4) will illuminate green to indicate pass. Attach the red and black ABN Test Clips (T14) to the wires to be tested. If the resistance of the circuit is less than 10kΩ, the "CONT" Indicator (T4) will illuminate red and no toning can occur. If the "CONT" Indicator is illuminated green, a tone can be generated and you may proceed.

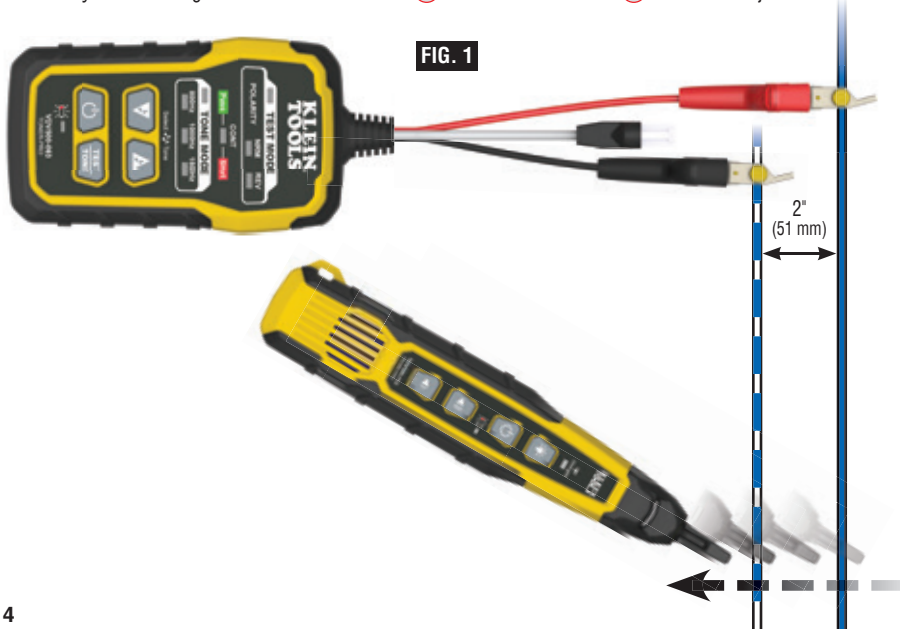
### SELECTING TONE FREQUENCY

The Toner-Pro defaults to the 800Hz frequency setting when powered on. Use the Tone Mode Up (T8) and Tone Mode Down (T7) selector buttons to change the frequency. The Tone Frequency Indicators (T6) will display the frequency being transmitted. If an alternating tone is selected, the two respective Tone Frequency Indicators (T6) will blink. Tones will cycle through the available frequencies in a continuous loop when a selector button is pressed repeatedly.

### TRACING PAIRED WIRES (FIG. 1)

1. Connect the Toner-Pro's red ABN Test Clip (T14) to one of the wires of the pair to be traced. Connect the black ABN Test Clip (T14) to the other wire to be traced.
2. Turn Toner-Pro on by pressing the Power On/Off button (T9).
3. Check the "CONT" Indicator (T4). If illuminated green, you may proceed.
4. Select the preferred tone setting using the Tone Mode Up (T8) and/or Tone Mode Down (T7) selector buttons.
5. Turn the Probe-Pro on by pressing the Power On/Off button (P5).
6. At the far end of the cable, spread the wires apart at least 2" (51 mm), if possible.
7. Use the Probe-Pro to scan the cable's wire pairs. Move the Probe-Pro's tip (P1) slowly across the wires (FIG. 1). The Probe-Pro's volume will increase as it approaches the toned pair. When the Probe-Pro's volume is high over the first wire, low in the middle (between) the two wires, and high over the second wire, you have located the pair of wires you are tracing. Use the Volume Increase (P6) and Volume Decrease (P7) buttons to adjust the volume.

**FIG. 1**

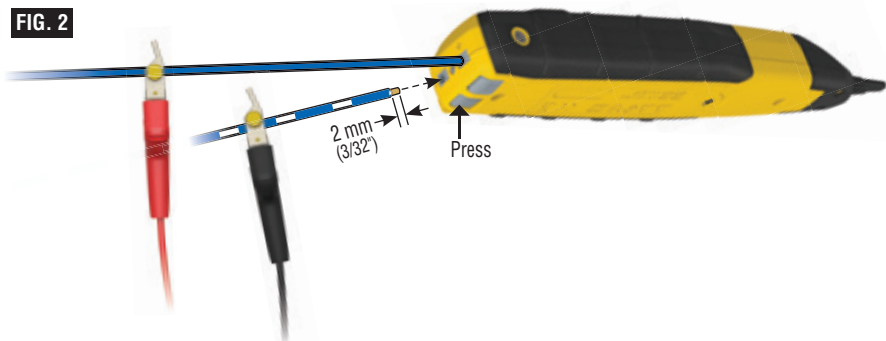


## OPERATING INSTRUCTIONS

### VERIFYING TONED PAIRS (FIG. 2)

1. To verify you have found the toned pair, connect the Toner-Pro's ABN Test Clips (T14) or RJ11 Test Plug (T13) to one end of the cable and initiate a tone.
2. On the other end of the cable, remove approximately 2 mm (3/32") of the outer jacket of each of the wires believed to be the toned pair.
3. Insert the wire connected to the red ABN Test Clip (T14) to the "+" (Positive) Terminal (P12), and the wire currently in the black ABN Test Clip (T14) to the "-" (Negative) Terminal (P11). To access the terminals, press their respective Terminal Release buttons (P13), insert the wire(s) and release (FIG. 2). The Verification Indicator (P14) will illuminate when the correct pair is inserted.

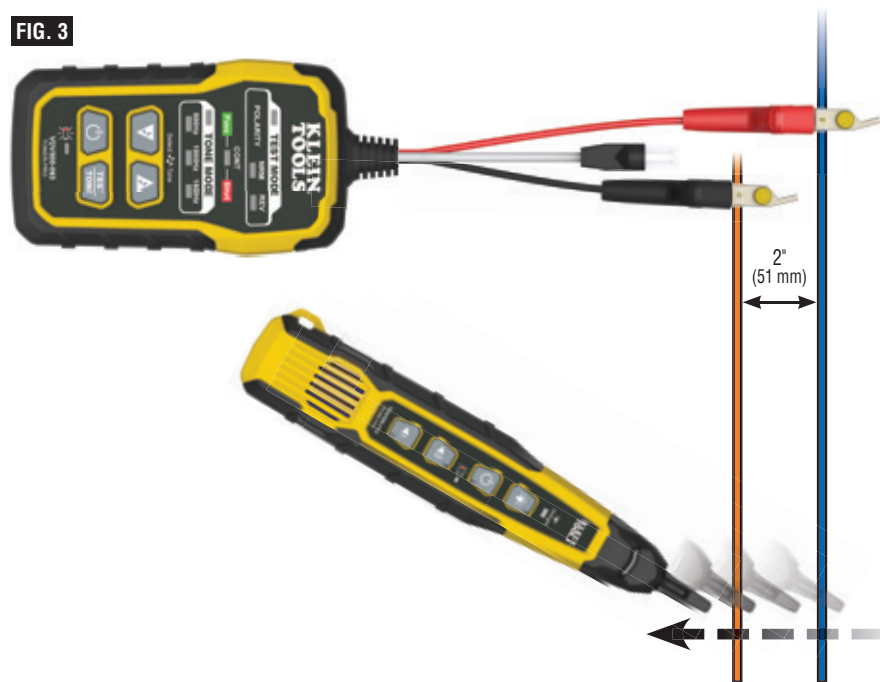
FIG. 2



### TRACING NON-PAIRED WIRES (FIG. 3)

1. Connect the Toner-Pro's red ABN Test Clip (T14) to the wire to be traced.
2. Connect the black ABN Test Clip (T14) to another wire in the cable, but preferably not in the same pair (connect to ground, if available). When tracing a shielded cable, connect the red ABN Test Clip to the outer shield, and the black ABN Test Clip to the center conductor or ground.
3. Turn Toner-Pro on by pressing the Power On/Off button (T9).
4. Check the "CONT" Indicator (T4). If illuminated green, you may proceed.
5. Turn the Probe-Pro on by pressing the Power On/Off button (P5).
6. Select the preferred tone setting using the Tone Mode Up (T8) or Tone Mode Down (T7) selector buttons.
7. At the far end of the cable, spread the wires at least 2" (51 mm) apart, if possible.
8. Use the Probe-Pro to scan the cable's wire pairs. Move the Probe-Pro's tip (P1) slowly across the wires. The Probe-Pro's volume will increase as it approaches the toned wire.

FIG. 3



## OPERATING INSTRUCTIONS

**RJ11 / RJ12 / RJ45 TESTING**

The Toner-Pro has an RJ11 Test Plug (18) that can be used in place of the ABN clips to transmit the tone. The RJ11 plug works with RJ11, RJ12, or RJ45 jacks. The red and black ABN contacts are replaced by the 2 center conductors of the inserted plug, i.e. pins 2 and 3 for RJ11, pins 3 and 4 for RJ12, and pins 4 and 5 for RJ45.

Use the Probe-Pro to locate the toned wires at the far end of the cable, as described in the TRACING PAIRED WIRES section.

**POLARITY AND VOLTAGE PRESENCE TESTING**

The Toner-Pro may be used to test the polarity and type of voltage present.

1. Press the Power On/Off button (19) on the Toner-Pro.
2. Press the TEST/TONE Select button (10). The "TEST MODE" indicator (11) will illuminate.
3. Connect the ABN Test Clips (14), or insert the RJ11 Test Plug (18).
4. Check the "CONT" Indicator (14). If illuminated green, you may proceed.
5. The "NRM" (Normal) Polarity Indicator (12) will illuminate if the red ABN Test Clip (14) is connected to the POTS (Plain Ol' Telephone Service) in the proper orientation. The "REV" (Reverse) Polarity Indicator (13) will illuminate if the wires are reversed.
  - The "NRM" (Normal) Polarity Indicator (12) will illuminate when the black ABN Test Clip detects higher voltage than the red ABN Test Clip.
  - The "REV" (Reverse) Polarity Indicator (13) will illuminate when the red ABN Test Clip detects higher voltage than the black ABN Test Clip.
  - The "NRM" (Normal) Polarity Indicator and "REV" (Reverse) Polarity Indicator will both illuminate when AC voltage is present.
  - When the RJ11 Test Plug is used, the "NRM" (Normal) Polarity Indicator will illuminate on a correctly wired and powered POTS (Plain Ol' Telephone Service) phone jack.

**NOTE:** The POTS (Plain Ol' Telephone Service) color code convention (black/positive, red/negative) is the opposite of the multimeter color code convention (red/positive, black/negative).

**USING THE PROBE'S WORKLIGHT**

The Probe-Pro has a worklight (P2) to aid in illuminating dark or low-light work areas. Press the Worklight On/Off button (P3) to turn the light on and off.

## MAINTENANCE

### BATTERY REPLACEMENT

When the Low Battery Indicator (P1) or (P8) blinks, the batteries must be replaced.

1. Turn off instrument(s) before attempting to replace batteries.
2. Loosen screw (T16, P16) on battery cover (T15, P15).
3. Remove and properly dispose of four 1.5V AAA batteries.
4. Install new batteries (note proper polarity).
5. Replace battery cover and fasten securely with screw.

 **To avoid risk of electric shock, do not operate while battery door is removed.**

### PROBE-PRO TIP REPLACEMENT (KLEIN CAT. NO. VDV999-068)

The tip (P1) of the Probe-Pro is replaceable if damaged. To remove and replace tip:

1. Turn tip 1/4 turn and pull gently to remove.
2. Insert new tip with key in proper orientation and push gently.
3. Rotate 1/4 turn to lock into place.

## CLEANING

Be sure instrument is turned off and wipe with a clean, dry lint-free cloth. **Do not use abrasive cleaners or solvents.**

## STORAGE

Remove the batteries when instrument is not in use for a prolonged period of time. Do not expose to high temperatures or humidity. After a period of storage in extreme conditions exceeding the limits mentioned in the GENERAL SPECIFICATIONS section, allow the equipment to return to normal operating conditions before using.

## WARRANTY

[www.kleintools.com/warranty](http://www.kleintools.com/warranty)

## DISPOSAL / RECYCLE



Do not place equipment and its accessories in the trash. Items must be properly disposed of in accordance with local regulations. Please see [www.epa.gov](http://www.epa.gov) or [www.erecycle.org](http://www.erecycle.org) for additional information.

## CUSTOMER SERVICE

**KLEIN TOOLS, INC.**

450 Bond Street  
Lincolnshire, IL 60069  
1-877-775-5346

[customerservice@kleintools.com](mailto:customerservice@kleintools.com)  
[www.kleintools.com](http://www.kleintools.com)





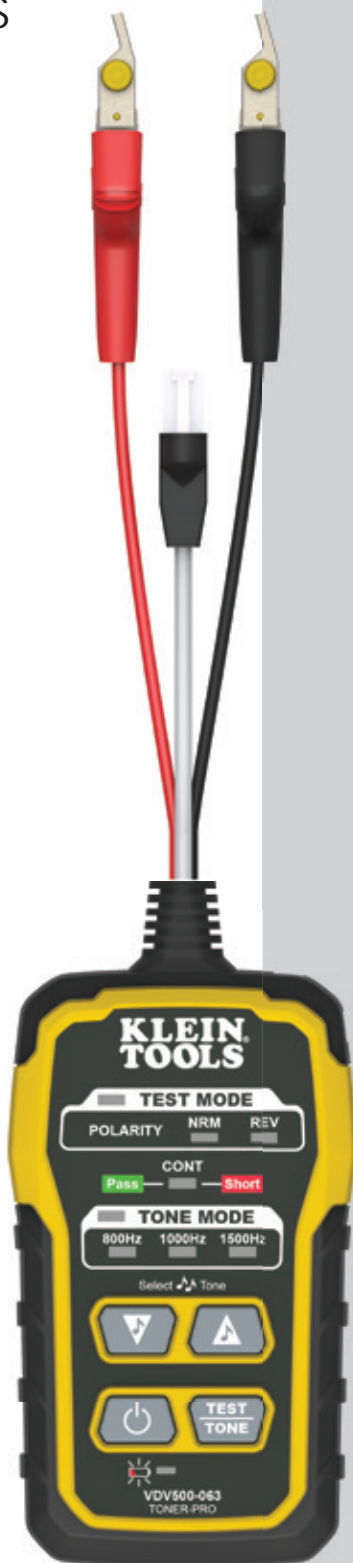
# MANUAL DE INSTRUCCIONES

## Kit Toner-Pro / Probe-Pro

- TRAZA ALAMBRES INDIVIDUALES Y DE PAR
- PRUEBA CONECTORES RJ11, RJ12 Y RJ45
- DETECTA CONTINUIDAD Y POLARIDAD
- 5 TONOS DISTINTOS (3 CONSTANTES, 2 ALTERNANTES)
- LED DE ESTADO FÁCILES DE ENTENDER
- PUNTA DE Sonda REEMPLAZABLE



VDV500-123



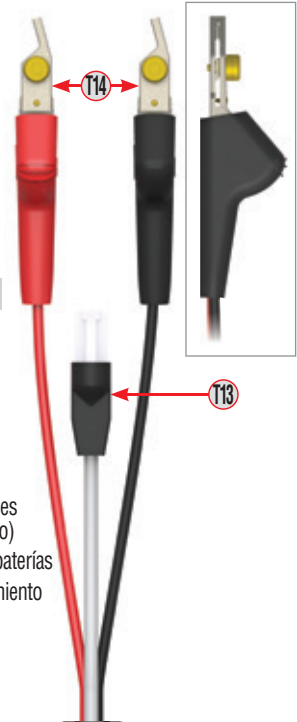
VDV500-063

**ESPECIFICACIONES GENERALES DEL TONER-PRO VDV500-063**

El Toner-Pro VDV500-063 de Klein Tools es un generador de tono de serie profesional para identificación de alambres, trazado de alambres e identificación de pares de alambres. Ofrece varias frecuencias de tono y una salida de gran potencia para el trazado de alambres.

- **Altitud de funcionamiento:** 6562 pies (2000 m) como máximo
- **Humedad relativa:** 10 % a 90 %, sin condensación
- **Temperatura de funcionamiento:** 14° a 122 °F (-10° a 50 °C)
- **Temperatura de almacenamiento:** -4° a 140 °F (-20° a 60 °C)
- **Dimensiones:** 2,5" x 5" x 1" (64 x 127 x 25 mm)
- **Peso:** 7,4 oz (210 g) incluida la batería
- **Tipo de batería:** 4 baterías alcalinas AAA de 1,5 V
- **Vida útil de la batería:** **En actividad:** 120 horas  
**Modo en espera/Almacenamiento:** 3 años
- **Función de apagado automático:** después de 60 minutos de inactividad
- **Tonos:** **Constante:** 800 Hz, 1000 Hz, 1500 Hz  
**Alternante:** 800 Hz/1000 Hz, 1000 Hz/1500 Hz
- **Potencia del tono:** 8 dBm
- **Indicador de continuidad:** Menos de 10 kΩ
- **Protección de voltaje:** **Modo de prueba:** 60 V  
**Modo de tono:** 20 V por medio de 600 Ω externos

*Especificaciones sujetas a cambios.*



**DETALLES DE LAS CARACTERÍSTICAS**

- |  |   |
|--|---|
| <b>T1</b> Indicador TEST MODE (prueba)         | <b>T9</b> Botón de encendido y apagado  |
| <b>T2</b> Indicador de polaridad NRM (normal)  | <b>T10</b> Botón TEST/TONE (prueba/tono)  |
| <b>T3</b> Indicador de polaridad REV (inversa) | <b>T11</b> Indicador del estado de batería  |
| <b>T4</b> Indicador CONT (continuidad)         | <b>T12</b> Ranura para cuerda   |
| <b>T5</b> Indicador TONE MODE (tono)           | <b>T13</b> Conector de prueba RJ11  |
| <b>T6</b> Indicadores de frecuencia de tono    | <b>T14</b> Cables de prueba ABN (con bornes de conexión multicontacto en ángulo)      |
| <b>T7</b> Botón de disminución del modo Tono   | <b>T15</b> Cubierta del compartimento de las baterías                                 |
| <b>T8</b> Botón de aumento del modo Tono       | <b>T16</b> Tornillo de la cubierta del compartimento de las baterías (n.º 2 Phillips) |



## ESPECIFICACIONES GENERALES DEL PROBE-PRO VDV500-123

El Probe-Pro VDV500-123 de Klein Tools es un rastreador de tono de serie profesional que cuenta con una sonda inductiva con altavoces para amplificación y luz LED para usarla en espacios oscuros. También incluye un conector de auriculares para ambientes de ruido extremo.

- **Altitud de funcionamiento:** 6562 pies (2000 m) como máximo
  - **Humedad relativa:** 10 % a 90 %, sin condensación
  - **Temperatura de funcionamiento:** 14° a 122 °F (-10° a 50 °C)
  - **Temperatura de almacenamiento:** -4° a 140 °F (-20° a 60 °C)
  - **Dimensiones:** 1,75" x 8,88" x 1,13" (44 x 226 x 29 mm)
  - **Peso:** 5,7 oz (161,6 g) incluida la batería
  - **Tipo de batería:** 4 baterías alcalinas AAA de 1,5 V
  - **Vida útil de la batería:** **En actividad:** 25 horas  
**Modo en espera/Almacenamiento:** 3 años
  - **Función de apagado automático:** después de 10 minutos de inactividad
- Especificaciones sujetas a cambios.*

## DETALLES DE LAS CARACTERÍSTICAS

- |   |   |
|---|---|
| <b>P1</b> Punta de polímero inductiva reemplazable (VDV999-068) | <b>P10</b> Ranura para cuerda   |
| <b>P2</b> Luz de trabajo  | <b>P11</b> Terminal "-" (negativa)  |
| <b>P3</b> Botón de encendido y apagado de luz de trabajo        | <b>P12</b> Terminal "+" (positiva)  |
| <b>P4</b> Indicador de intensidad de la señal                   | <b>P13</b> Botones de liberación de las terminales                                    |
| <b>P5</b> Botón de encendido y apagado                          | <b>P14</b> Indicador de verificación  |
| <b>P6</b> Botón de aumento de volumen                           | <b>P15</b> Cubierta del compartimento de las baterías                                 |
| <b>P7</b> Botón de disminución de volumen                       | <b>P16</b> Tornillo de la cubierta del compartimento de las baterías (n.º 2 Phillips) |
| <b>P8</b> Indicador del estado de batería                       | <b>P17</b> Conector de auriculares de 3,5 mm*   |
| <b>P9</b> Altavoz   |   |

\***PRECAUCIÓN:** Un nivel de volumen excesivo puede causar daños auditivos permanentes. Use un volumen tan bajo como sea posible.



**⚠ ADVERTENCIAS**

**Para garantizar el funcionamiento y servicio seguros de los instrumentos, siga estas instrucciones. El incumplimiento de estas advertencias puede provocar un incendio, choque eléctrico, lesiones graves o la muerte.**

- El Toner-Pro y Probe-Pro están diseñados para usarse en sistemas de cableado de voltaje extra bajo (menos de 60 voltios) para pruebas cuando estos sistemas **NO ESTÁN** energizados.
- La tensión máxima entre los cordones de prueba ABN del Toner-Pro es de 60 voltios en el modo de Prueba y de 20 voltios en el modo de continuidad. Conectar el Probe-Pro a una fuente de alimentación de CA activa puede dañarlo e implicar un riesgo de seguridad para el usuario.
- **NO** utilice los instrumentos si están húmedos dado que podrían representar un riesgo de choque eléctrico.
- **NO** utilice los instrumentos si están dañados.
- Apague los instrumentos y desconecte todos los cordones de prueba ABN antes de intentar reemplazar las baterías.
- La tapa del compartimento de las baterías debe estar ajustada en su lugar antes de operar el instrumento.
- **NO** abra la carcasa, excepto el compartimento de las baterías.

**INSTRUCCIONES DE FUNCIONAMIENTO**

**LEA TODAS LAS INSTRUCCIONES ANTES DE UTILIZAR LOS DISPOSITIVOS Y CONSÉRVELAS PARA CONSULTARLAS EN EL FUTURO.**

**PRUEBA DE CONTINUIDAD**

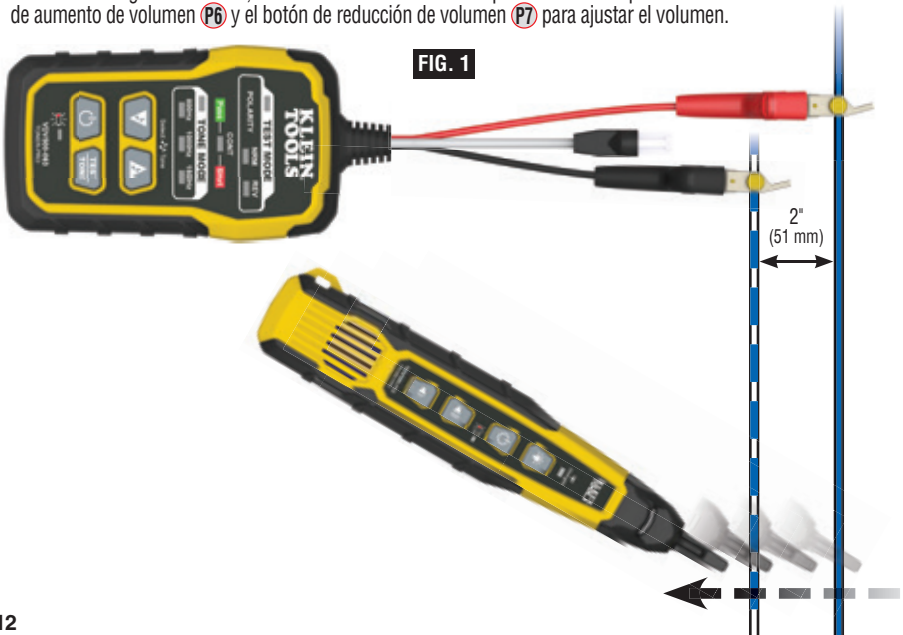
El Toner-Pro transmite frecuencias sobre alambres no energizados únicamente. Al encender el Toner-Pro, se realizará una prueba de continuidad para determinar si los dos alambres que van a trazarse están muy cerca uno del otro, sin un circuito conductor entre ellos. El indicador CONT (continuidad) **T4** se iluminará de color verde para dar la indicación de aprobación. Sujete los cordones de prueba ABN rojo y negro **T14** a los alambres que van a probarse. Si la resistencia del circuito es inferior a 10 kΩ, entonces el indicador CONT (continuidad) **T4** se iluminará de color rojo y no se producirá ningún tono. Si el indicador CONT (continuidad) se ilumina de color verde, entonces se producirá un tono y podrá continuar.

**SELECCIÓN DE LA FRECUENCIA DE TONO**

La frecuencia predeterminada del Toner-Pro cuando está encendido es de 800 Hz. Utilice el botón de aumento del modo Tono **T8** y el botón de disminución del modo Tono **T7** para cambiar la frecuencia. Los indicadores de frecuencia de tono **T6** mostrarán la frecuencia transmitida. Si se selecciona un tono alternante, los dos indicadores de frecuencia de tono correspondientes **T6** parpadearán. Los tonos recorrerán las frecuencias disponibles en un ciclo continuo al presionar un botón de aumento o disminución de forma repetida.

**TRAZADO DE PARES DE ALAMBRES (FIG. 1)**

1. Conecte el cordón de prueba ABN rojo del Toner-Pro **T14** a uno de los alambres del par que va a trazarse. Conecte el cordón de prueba ABN negro **T14** al otro alambre que va a trazarse.
2. Encienda el Toner-Pro presionando el botón de encendido y apagado **T9**.
3. Revise el indicador CONT (continuidad) **T4**. Si está iluminado de color verde, entonces puede continuar.
4. Seleccione la configuración de tono preferida utilizando el botón de aumento del modo Tono **T8** o el botón de disminución del modo Tono **T7**.
5. Encienda el Probe-Pro presionando el botón de encendido y apagado **P5**.
6. De ser posible, cree en el extremo del cable una separación de 2" (51 mm) entre los cables.
7. Utilice el Probe-Pro para escanear los pares de alambres del cable. Mueva la punta del Probe-Pro **P1** lentamente a lo largo de los alambres (FIG. 1). El volumen del Probe-Pro aumentará a medida que se acerca al par con tono. Cuando el volumen del Probe-Pro es alto sobre el primer alambre, bajo en medio de (entre) los dos alambres y alto sobre el segundo alambre, entonces habrá encontrado el par de alambres que está rastreando. Utilice el botón de aumento de volumen **P6** y el botón de reducción de volumen **P7** para ajustar el volumen.

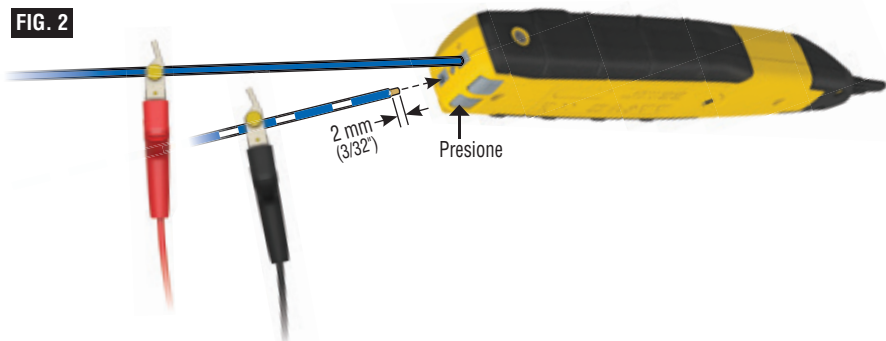


## INSTRUCCIONES DE FUNCIONAMIENTO

### VERIFICACIÓN DE LOS PARES CON TONO (FIG. 2)

1. Para verificar que ha encontrado el par con tono, conecte los cordones de prueba ABN del Toner-Pro **T14** o el conector de prueba RJ11 **T13** a un extremo del cable e inicie un tono.
2. En el otro extremo del cable, retire aproximadamente 2 mm (3/32") del revestimiento exterior de cada uno de los alambres que se consideran como el par con tono.
3. Inserte el alambre conectado al cordón de prueba ABN rojo **T14** en la terminal "+" (positiva) **P12**, y el alambre conectado al cordón de prueba ABN negro **T14** en la terminal "-" (negativa) **P11**. Para acceder a las terminales, presione sus correspondientes botones de liberación de terminal **P13**, inserte el/los alambre/alambres y efectúe la liberación (FIG. 2). El indicador de verificación **P14** se iluminará cuando el par correcto sea insertado.

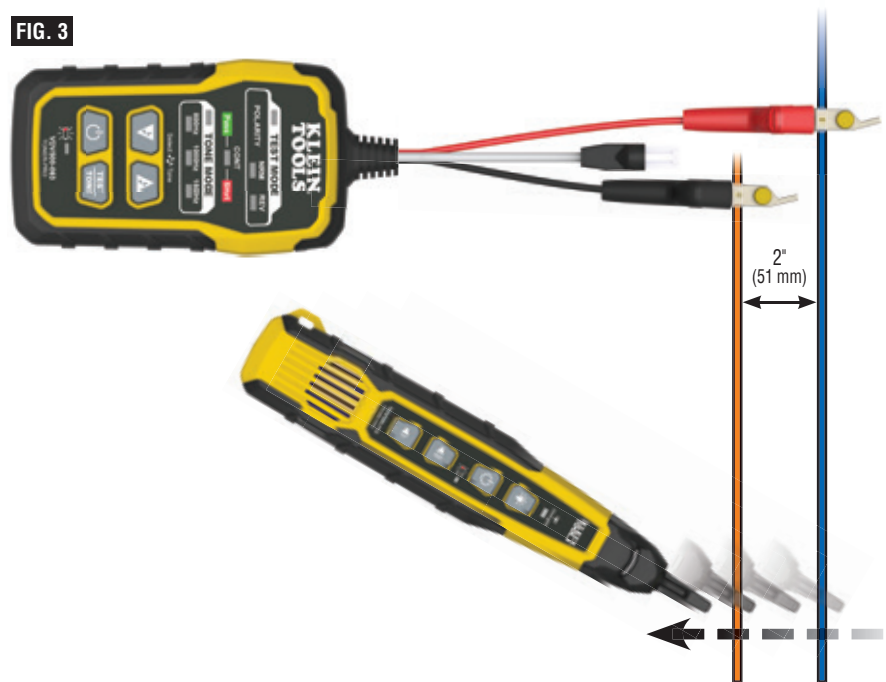
FIG. 2



### TRAZADO DE ALAMBRES SIN PAR (FIG. 3)

1. Conecte el cordón de prueba ABN rojo del Toner-Pro **T14** al alambre que va a trazarse.
2. Conecte el cordón de prueba ABN negro **T14** al otro alambre del cable, pero preferiblemente no en el mismo par (conecte a tierra de ser posible). Al trazar un cable blindado, conecte el cordón de prueba ABN rojo al blindaje exterior y luego el cordón de prueba ABN negro al conductor central o a tierra.
3. Encienda el Toner-Pro presionando el botón de encendido y apagado **T9**.
4. Revise el indicador CONT (continuidad) **T4**. Si está iluminado de color verde, entonces puede continuar.
5. Encienda el Probe-Pro presionando el botón de encendido y apagado **P5**.
6. Seleccione la configuración de tono preferida utilizando el botón de aumento del modo Tono **T8** o el botón de disminución del modo Tono **T7**.
7. De ser posible, cree en el extremo del cable una separación de 2" (51 mm) entre los alambres.
8. Utilice el Probe-Pro para escanear los pares de alambres del cable. Mueva la punta del Probe-Pro **P1** lentamente a lo largo de los alambres. El volumen del Probe-Pro aumentará a medida que se acerca al alambre con tono.

FIG. 3



## INSTRUCCIONES DE FUNCIONAMIENTO

**PRUEBA CON LOS CONECTORES RJ11/RJ12/RJ45**

El Toner-Pro tiene un conector de prueba RJ11 (T13) que se puede usar en lugar de los cordones ABN para transmitir el tono. El conector RJ11 funciona con conectores RJ11, RJ12, o RJ45. Los contactos ABN negro y rojo se reemplazan con los dos conductores centrales del conector insertado, es decir, las clavijas 2 y 3 para el RJ11, clavijas 3 y 4 para el RJ12, y clavijas 4 y 5 para el RJ45.

Utilice el Probe-Pro para ubicar los alambres con tono en el extremo del cable como se describe en la sección TRAZADO DE PARES DE ALAMBRES.

**PRUEBA DE POLARIDAD Y PRESENCIA DEL VOLTAJE**

El Toner-Pro puede utilizarse para probar la polaridad y tipo de voltaje presente.

1. Presione el botón de encendido y apagado (T9) en el Toner-Pro.
2. Presione el botón de selección TEST/TONE (prueba/tono) (T10). El indicador TEST MODE (modo de prueba) (T11) se iluminará.
3. Conecte los cordones de prueba ABN (T14) o inserte el conector de prueba RJ11 (T13).
4. Revise el indicador CONT (continuidad) (T4). Si está iluminado de color verde, entonces puede continuar.
5. El indicador de polaridad NRM (normal) (T2) se iluminará si el cordón de prueba ABN rojo (T14) se conecta al POTS (servicio telefónico ordinario) y con la orientación adecuada. El indicador de polaridad REV (inversa) (T3) se iluminará si se invierten los alambres.
  - El indicador de polaridad NRM (normal) (T2) se iluminará cuando el cordón de prueba ABN negro detecte un voltaje mayor que el del cordón de prueba ABN rojo.
  - El indicador de polaridad REV (inversa) (T3) se iluminará cuando el cordón de prueba ABN rojo detecte un voltaje mayor que el del cordón de prueba ABN negro.
  - El indicador de polaridad NRM (normal) y el indicador de polaridad REV (inversa) se iluminarán cuando exista voltaje CA.
  - Cuando el conector de prueba RJ11 esté en uso, el indicador de polaridad NRM (normal) se iluminará sobre un conector telefónico POTS (servicio de telefonía tradicional) correctamente cableado y con corriente.

**NOTA:** la convención de códigos de color POTS (negro/positivo, rojo/negativo) es opuesta a la convención de códigos de color de multímetros (rojo/positivo, negro/negativo).

**USO DE LA LUZ DE TRABAJO DE LA Sonda**

El Probe-Pro tiene una luz de trabajo (P2) para ayudar con la iluminación en áreas de trabajo oscuras o con poca iluminación. Presione el botón de encendido y apagado de la luz de trabajo (P3) para encender y apagar la luz.

## MANTENIMIENTO

### REEMPLAZO DE LA BATERÍA

Cuando el indicador de batería baja (P1) o (P8) se parpadea, se deben reemplazar las baterías.

1. Apague el/los instrumento/instrumentos antes de intentar reemplazar las baterías.
2. Afloje el tornillo (P16, P16) de la cubierta del compartimiento de las baterías (P15, P15).
3. Retire y deseche correctamente las cuatro baterías AAA de 1,5 V.
4. Instale baterías nuevas (tenga en cuenta la polaridad correcta).
5. Vuelva a colocar la cubierta del compartimiento de las baterías y asegúrela con el tornillo.

 **Para evitar el riesgo de choque eléctrico, no utilice la unidad sin haber colocado la tapa del compartimiento de las baterías.**

### REEMPLAZO DE LA PUNTA DEL PROBE-PRO (KLEIN CAT. N.ºVDV999-068)

La punta (P1) del Probe-Pro puede reemplazarse en caso de que esté dañada. Para retirar y reemplazar la punta:

1. Gire la punta 1/4 de vuelta y jale suavemente para retirarla.
2. Inserte la nueva punta con la llave y con la orientación apropiada y presione suavemente.
3. Gire 1/4 de vuelta para bloquearla en su posición.

## LIMPIEZA

Asegúrese de que el instrumento esté apagado y limpie con un paño limpio y seco que no deje pelusas. **No utilice solventes ni limpiadores abrasivos.**

## ALMACENAMIENTO

Retire las baterías si no va a utilizar el instrumento durante un tiempo prolongado. No lo exponga a la humedad ni a altas temperaturas. Luego de un período de almacenamiento en condiciones extremas que sobrepasen los límites mencionados en la sección ESPECIFICACIONES GENERALES, deje que el equipo vuelva a las condiciones de funcionamiento normales antes de utilizarlo.

## GARANTÍA

[www.kleintools.com/warranty](http://www.kleintools.com/warranty)

## ELIMINACIÓN/RECICLAJE



No arroje el equipo ni sus accesorios a la basura. Los elementos se deben desechar correctamente de acuerdo con las regulaciones locales. Visite [www.epa.gov](http://www.epa.gov) o [www.ecycle.org](http://www.ecycle.org) para obtener más información.

## SERVICIO AL CLIENTE

**KLEIN TOOLS, INC.**

450 Bond Street  
Lincolnshire, IL 60069  
1-877-775-5346

[customerservice@kleintools.com](mailto:customerservice@kleintools.com)  
[www.kleintools.com](http://www.kleintools.com)





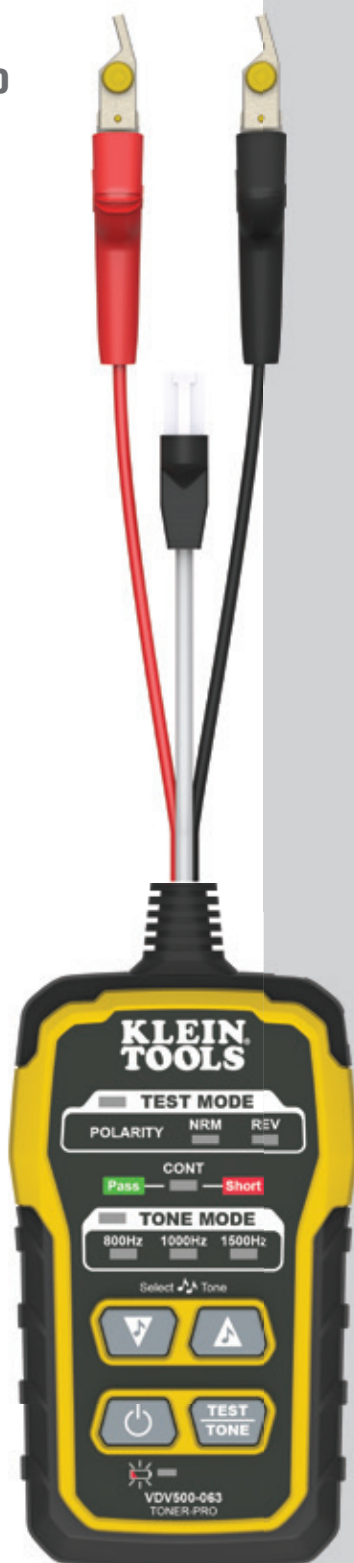
## MANUEL D'UTILISATION

## Trousse Toner-Pro et Probe-Pro

- DÉTECTE LES FILS INDIVIDUELS OU APPARIÉS
- TESTE LES PRISES RJ11, RJ12 ET RJ45
- DÉTECTE LA CONTINUITÉ ET LA POLARITÉ DU COURANT
- 5 TONALITÉS DISTINCTES (3 CONSTANTES, 2 EN ALTERNANCE)
- VOYANTS DEL FACILES À COMPRENDRE
- POINTE DE LA SONDE REMPLAÇABLE



VDV500-123



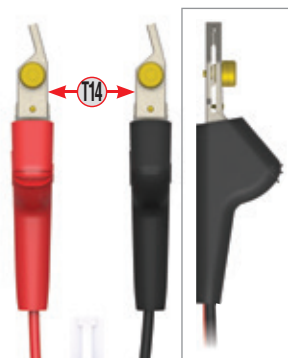
VDV500-063

## CARACTÉRISTIQUES GÉNÉRALES – TONER-PRO VDV500-063

Le Toner-Pro VDV500-063 de Klein Tools est un générateur de tonalité de calibre professionnel permettant la localisation et l'identification de fils individuels ou appariés. Il peut produire plusieurs fréquences de tonalités et un signal puissant, pour localiser les fils.

- **Altitude de fonctionnement** : 2000 m (6562 pi) maximum
- **Humidité relative** : 10 % à 90 % sans condensation
- **Température de fonctionnement** : -10 °C à 50 °C (14 °F à 122 °F)
- **Température d'entreposage** : -20 °C à 60 °C (-4 °F à 140 °F)
- **Dimensions** : 64 x 127 x 25 mm (2,5 x 5 x 1 po)
- **Poids** : 210 g (7,4 oz) en tenant compte des piles
- **Type de pile** : 4 piles alcalines AAA de 1,5 V
- **Durée de vie des piles** : **En mode actif** : 120 heures  
**En mode veille ou lorsqu'entreposées** : 3 ans
- **Arrêt automatique** : Après 60 minutes d'inactivité
- **Tonalités** : **Constantes** : 800 Hz, 1000 Hz, 1500 Hz  
**En alternance** : 800 Hz/1000 Hz, 1000 Hz/1500 Hz
- **Puissance de la tonalité** : 8 dBm
- **Indicateur de continuité** : Moins de 10 kΩ
- **Protection contre les surtensions** : **Mode Test** : 60 V  
**Mode tonalité** : 20 V par une source de 600 Ω externe

Les caractéristiques techniques peuvent faire l'objet de modifications.



## CARACTÉRISTIQUES DÉTAILLÉES

- |  |  |
|--|--|
| <b>T1</b> Indicateur TEST MODE (mode Test)     | <b>T9</b> Bouton marche/arrêt                            |
| <b>T2</b> Indicateur NRM (polarité normale)    | <b>T10</b> Bouton TEST/TONE (test/tonalité)              |
| <b>T3</b> Indicateur REV (polarité inversée)   | <b>T11</b> Indicateur d'état de la batterie              |
| <b>T4</b> Indicateur CONT (continuité)         | <b>T12</b> Fente pour dragonne                           |
| <b>T5</b> Indicateur TONE MODE (mode Tonalité) | <b>T13</b> Fiche de test RJ11                            |
| <b>T6</b> Indicateurs de fréquence de tonalité | <b>T14</b> Pinces de test à lit à clous coudé (ABN)      |
| <b>T7</b> Bouton de diminution de la tonalité  | <b>T15</b> Couverture du compartiment à piles            |
| <b>T8</b> Bouton d'augmentation de la tonalité | <b>T16</b> Vis du compartiment à piles (cruciforme n° 2) |



## CARACTÉRISTIQUES GÉNÉRALES – PROBE-PRO VDV500-123

Le Probe-Pro VDV500-123 de Klein Tools est un détecteur de tonalité de calibre professionnel doté d'une sonde inductive, d'un haut-parleur pour l'amplification du son et d'un éclairage à DEL pour l'utilisation dans des endroits sombres. Elle dispose également d'une prise pour casque d'écoute pour une utilisation dans des endroits extrêmement bruyants.

- **Altitude de fonctionnement** : 2000 m (6562 pi) maximum
- **Humidité relative** : 10 % à 90 % sans condensation
- **Température de fonctionnement** : -10 °C à 50 °C (14 °F à 122 °F)
- **Température d'entreposage** : -20 °C à 60 °C (-4 °F à 140 °F)
- **Dimensions** : 44 x 226 x 29 mm (1,75 x 8,88 x 1,13 po)
- **Poids** : 161,6 g (5,7 oz) en tenant compte des piles
- **Type de pile** : 4 piles alcalines AAA de 1,5 V
- **Durée de vie des piles** : **En mode actif** : 25 heures  
**En mode veille ou lorsqu'entreposées** : 3 ans
- **Arrêt automatique** : Après 10 minutes d'inactivité

*Les caractéristiques techniques peuvent faire l'objet de modifications.*

## CARACTÉRISTIQUES DÉTAILLÉES

**P1** Embout inductif en polymère remplaçable (VDV999-068)

**P2** Lampe de travail

**P3** Bouton marche/arrêt de la lampe de travail

**P4** Indicateur de puissance du signal

**P5** Bouton marche/arrêt

**P6** Bouton d'augmentation du volume

**P7** Bouton de diminution du volume

**P8** Indicateur d'état de la batterie

**P9** Haut-parleur

**P10** Fente pour dragonne

**P11** Borne « - » (négative)

**P12** Borne « + » (positive)

**P13** Boutons de libération des bornes

**P14** Indicateur de vérification

**P15** Couvercle du compartiment à piles

**P16** Vis du compartiment à piles (cruciforme n° 2)

**P17** Prise pour casque d'écoute 3,5 mm \*

\* **⚠ MISE EN GARDE** : L'utilisation à un volume excessif peut causer une perte permanente de l'audition. Baissez le volume de l'appareil au maximum lorsque vous utilisez le casque d'écoute.



## ⚠ AVERTISSEMENTS

**Pour garantir une utilisation et un entretien sécuritaires de vos instruments, suivez ces consignes. Le non-respect de ces avertissements peut entraîner un incendie, un choc électrique et des blessures graves, voire la mort.**

- Le Toner-Pro et le Probe-Pro sont conçus pour une utilisation sur des réseaux de câbles fonctionnant à très basse tension (inférieure à 60 volts) afin de tester ces derniers lorsqu'ils ne sont **PAS** sous tension.
- La tension maximale entre les pinces ABN de test du Toner-Pro est de 60 volts en mode Test et de 20 volts en mode Continuité. La connexion du Probe-Pro à une source c.a. principale sous tension peut endommager l'appareil et pose un risque d'accident pour l'utilisateur.
- **N'UTILISEZ PAS** ces instruments s'ils sont mouillés; cela poserait un risque de choc électrique.
- **N'UTILISEZ PAS** les instruments s'ils ont été endommagés.
- Éteignez les appareils et déconnectez les pinces ABN de test avant de remplacer les piles.
- Veillez à ce que le couvercle du compartiment à piles soit fermement en place avant de faire fonctionner le instrument.
- **N'OUVREZ PAS** le boîtier, sauf le couvercle du compartiment à piles.

## INSTRUCTIONS D'UTILISATION

**LISEZ TOUTES LES INSTRUCTIONS AVANT DE FAIRE FONCTIONNER LE PRODUIT ET CONSERVEZ-LES À DES FINS DE RÉFÉRENCE**

### TEST DE CONTINUITÉ

Le Toner-Pro ne transmet des fréquences qu'à des fils hors tension. Lorsque le Toner-Pro est allumé, un test de continuité est effectué pour déterminer si les deux fils à localiser sont proches l'un de l'autre et qu'ils ne sont pas reliés par un chemin conducteur. L'indicateur CONT (continuité) **T4** s'allume en vert quand le test est réussi. Attachez les pinces ABN de test rouge et noir **T14** aux fils à tester. Si la résistance du circuit est inférieure à 10 kΩ, l'indicateur CONT (continuité) **T4** s'allume en rouge et aucune tonalité n'est émise. Si l'indicateur CONT (continuité) est allumé en vert, une tonalité est générée et vous pouvez continuer.

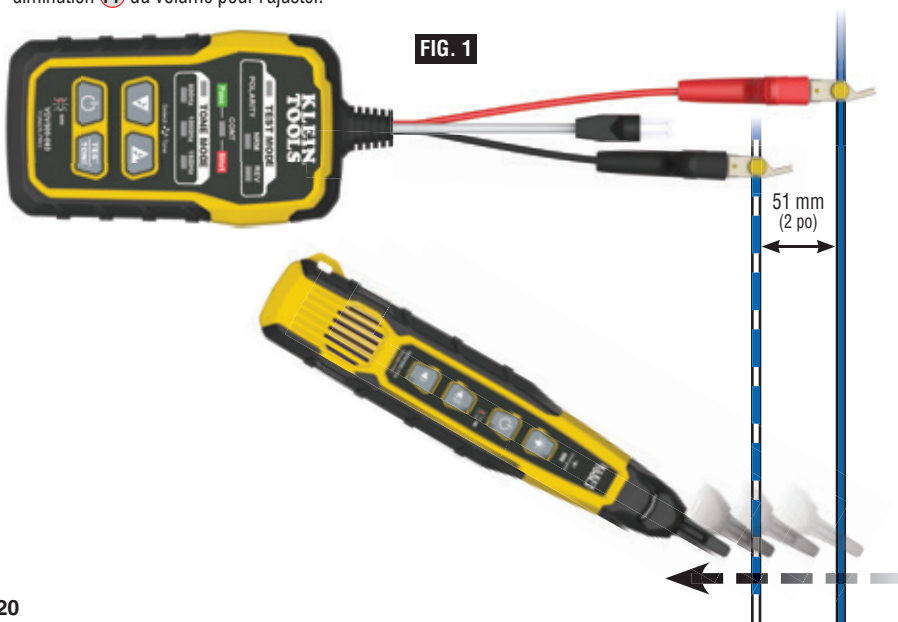
### SÉLECTION DE LA FRÉQUENCE DE TONALITÉ

La fréquence par défaut lors de l'allumage du Toner-Pro est de 800 Hz. Utilisez les boutons d'augmentation **T8** et de diminution de la fréquence **T7** pour changer la fréquence. Les indicateurs de fréquence de tonalité **T6** indiqueront la fréquence transmise. Si une tonalité en alternance est sélectionnée, les deux indicateurs de fréquence de tonalité **T6** clignotent. Lorsque vous appuyez sur un bouton de sélection de façon répétée, la tonalité joue toutes les fréquences disponibles en boucle continue.

### LOCALISATION DE FILS APPARIÉS (FIG. 1)

1. Connectez la pince ABN de test rouge du Toner-Pro **T14** à l'un des fils de la paire à localiser. Connectez la pince ABN de test noire **T14** à l'autre fil à localiser.
2. Allumez le Toner-Pro en appuyant sur le bouton marche/arrêt **T9**.
3. Observez l'indicateur CONT (continuité) **T4**. S'il est vert, vous pouvez continuer.
4. Sélectionnez la tonalité de votre choix à l'aide des boutons d'augmentation **T8** ou de diminution **T7** de la tonalité.
5. Allumez le Probe-Pro en appuyant sur le bouton marche/arrêt **P5**.
6. À l'extrémité du câble, écartez les fils d'au moins 51 mm (2 po) l'un de l'autre, si possible.
7. Balayez les fils de la paire à l'aide du Probe-Pro. Déplacez le bout du Probe-Pro **P1** lentement entre les fils (FIG. 1). Le volume du Probe-Pro augmente à l'approche de la bonne paire. Lorsque le volume du Probe-Pro est élevé lorsque celui-ci passe au-dessus du premier fil, qu'il est faible entre les deux fils et élevé au-dessus du second fil, vous avez trouvé la paire de fils que vous localisez. Utilisez les boutons d'augmentation **P6** et de diminution **P7** du volume pour l'ajuster.

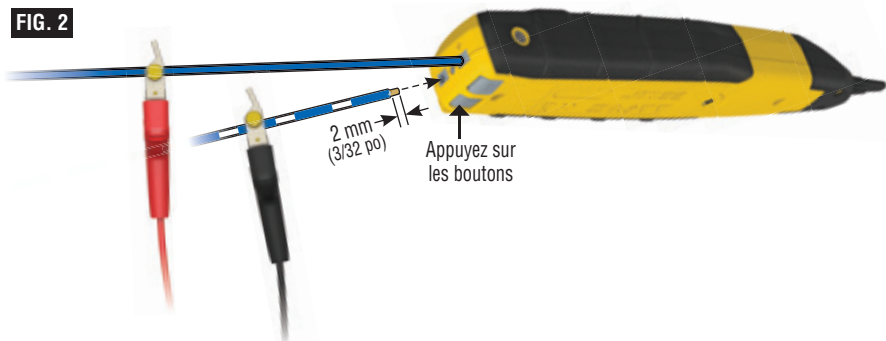
**FIG. 1**



### VÉRIFICATION DE LA PAIRE (FIG. 2)

1. Pour vérifier que vous avez trouvé la bonne paire, connectez les pinces ABN de test du Toner-Pro (T14) ou la fiche de test RJ11 (T13) à l'une des extrémités du câble pour émettre une tonalité.
2. À l'autre extrémité du câble, retirez environ 2 mm (3/32 po) de la gaine extérieure de chacun des fils de la paire présumée.
3. Insérez le fil connecté à la pince ABN de test rouge (T14) à la borne « + » (positive) (P12), et le fil connecté à la pince ABN de test noire (T14) à la borne « - » (négative) (P11). Pour accéder aux bornes, appuyer sur leur bouton de libération respectif (P13), insérez le(s) fil(s) et relâchez les boutons (FIG. 2). L'indicateur de vérification (P14) s'allume lorsque la bonne paire est insérée.

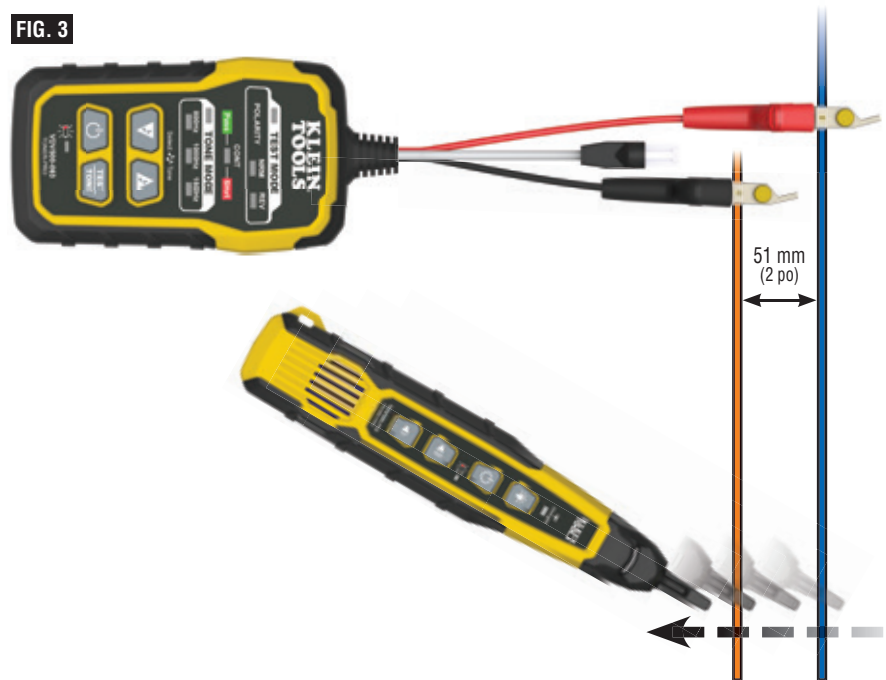
**FIG. 2**



### LOCALISATION DE FIL NON-APPARIÉ (FIG. 3)

1. Connectez la pince ABN de test rouge du Toner-Pro (T14) au fil à localiser.
2. Connectez la pince ABN de test noire (T14) à un autre fil du câble, de préférence pas dans la même paire (connectez à la terre si possible). Lorsque vous localisez un câble blindé, connectez la pince ABN de test rouge au blindage et la pince ABN de test noire au conducteur central ou à la terre.
3. Allumez le Toner-Pro en appuyant sur le bouton marche/arrêt (T9).
4. Observez l'indicateur CONT (continuité) (T4). S'il est vert, vous pouvez continuer.
5. Allumez le Probe-Pro en appuyant sur le bouton marche/arrêt (P5).
6. Sélectionnez la tonalité de votre choix à l'aide des boutons d'augmentation (T8) ou de diminution (T7) de la tonalité.
7. À l'extrémité du câble, écartez les fils d'au moins 51 mm (2 po) l'un de l'autre, si possible.
8. Balayez les fils de la paire à l'aide du Probe-Pro. Déplacez le bout du Probe-Pro (P1) lentement entre les fils. Le volume du Probe-Pro augmente à l'approche du bon fil.

**FIG. 3**



## INSTRUCTIONS D'UTILISATION

**TEST RJ11/RJ12/RJ45**

Le Toner-Pro est doté d'une fiche de test RJ11 (T13) qui peut être utilisée au lieu des pinces ABN pour transmettre la tonalité. La fiche RJ11 fonctionne avec les prises RJ11, RJ12 et RJ45. Les contacts ABN peuvent être remplacés par les deux conducteurs centraux de la prise, soit les tiges 2 et 3 pour RJ11, les tiges 3 et 4 pour RJ12 et les tiges 4 et 5 pour RJ45.

Utilisez le Probe-Pro pour localiser les fils branchés à l'extrémité du câble, comme décrit dans la section LOCALISATION DE FILS APPARIÉS.

**TEST DE POLARITÉ ET PRÉSENCE DE TENSION**

Le Toner-Pro peut être utilisé pour tester la polarité et le type de tension présente.

1. Appuyez sur le bouton marche/arrêt (T9) du Toner-Pro.
2. Appuyez sur le bouton de sélection TEST/TONE (test/tonalité) (T10). L'indicateur TEST MODE (mode Test) (T1) s'allumera.
3. Connectez la pince ABN de test (T14), ou insérez la fiche de test RJ11 (T13).
4. Observez l'indicateur CONT (continuité) (T4). S'il est vert, vous pouvez continuer.
5. L'indicateur NRM (polarité normale) (T2) s'allume si la pince ABN de test (T14) rouge est connecté au service téléphonique de base dans le bon sens. L'indicateur REV (polarité inversée) (T3) s'allume si les fils sont inversés.
  - L'indicateur NRM (polarité normale) (T2) s'allume si la pince ABN de test noire reçoit une tension plus élevée que la pince ABN de test rouge.
  - L'indicateur REV (polarité inversée) (T3) s'allume si la pince ABN de test rouge reçoit une tension plus élevée que la pince ABN de test noire.
  - Les indicateurs NRM (polarité normale) et REV (polarité inversée) s'allument en présence d'une source de tension c.a.
  - Lorsque la fiche de test RJ11 est utilisée, l'indicateur NRM (polarité normale) s'allume si la prise téléphone est correctement reliée au service téléphonique de base.

**REMARQUE :** La convention des codes de couleurs du service téléphonique de base (noir/positif et rouge/négatif) est l'opposé de la convention des codes de couleurs de multimètres (rouge/positif et noir/négatif).

**UTILISATION DE LA LAMPE DE TRAVAIL DE LA SONDE**


Le Probe-Pro est doté d'une lampe de travail (P2) pour les endroits sombres. Appuyez sur le bouton marche/arrêt de la lampe de travail (P3) pour allumer et éteindre la lampe de travail.

## ENTRETIEN

### REPLACEMENT DES PILES

Lorsque l'indicateur de piles faibles (P11) ou (P8) clignote, remplacez les piles.

1. Éteignez l'instrument avant de remplacer les piles.
2. Desserrez la vis (P16, P16) du couvercle du compartiment à piles (P15, P15).
3. Retirez les quatre piles alcalines AAA de 1,5 V et jetez-les de la façon adéquate.
4. Mettez les nouvelles piles en place (tenez compte de la polarité).
5. Remplacez le couvercle du compartiment à piles et fixez-le solidement à l'aide de la vis.

 **Pour éviter tout risque de choc électrique, n'utilisez pas l'appareil lorsque le couvercle du compartiment à piles est retiré.**

### EMBOUT DE REMPLACEMENT POUR PROBE-PRO (N° VDV999-068 DU CAT. KLEIN)

L'embout (P1) du Probe-Pro est remplaçable s'il est endommagé. Pour retirer et remplacer l'embout :

1. Tournez l'embout d'un quart de tour et tirez délicatement dessus pour le retirer.
2. Insérez le nouvel embout avec la clé dans le bon sens et appuyez dessus délicatement.
3. Tournez-le d'un quart de tour pour le verrouiller en place.

## NETTOYAGE

Assurez-vous que l'instrument est éteint, puis essuyez-le à l'aide d'un linge non pelucheux. **N'utilisez pas de nettoyant abrasif ni de solvant.**

## ENTREPOSAGE

Retirez les piles lorsque vous prévoyez ne pas utiliser l'instrument pendant une longue période. N'exposez pas l'appareil à des températures ou à un taux d'humidité élevés. Après une période d'entreposage dans des conditions extrêmes (hors des limites mentionnées dans la section CARACTÉRISTIQUES GÉNÉRALES, laissez l'appareil revenir à des conditions d'utilisation normales avant de l'utiliser.

## GARANTIE

[www.kleintools.com/warranty](http://www.kleintools.com/warranty)

## MISE AU REBUT/RECYCLAGE



Ne mettez pas l'appareil et ses accessoires au rebut. Ces articles doivent être éliminés conformément aux règlements locaux. Pour de plus amples renseignements, consultez les sites [www.epa.gov](http://www.epa.gov) ou [www.ecycle.org](http://www.ecycle.org).

## SERVICE À LA CLIENTÈLE

**KLEIN TOOLS, INC.**

450 Bond Street  
Lincolnshire, IL 60069  
1-877-775-5346

[customerservice@kleintools.com](mailto:customerservice@kleintools.com)  
[www.kleintools.com](http://www.kleintools.com)

**KLEIN TOOLS, INC.**

450 Bond Street  
Lincolnshire, IL 60069  
1-877-775-5346

**[customerservice@kleintools.com](mailto:customerservice@kleintools.com)**  
**[www.kleintools.com](http://www.kleintools.com)**