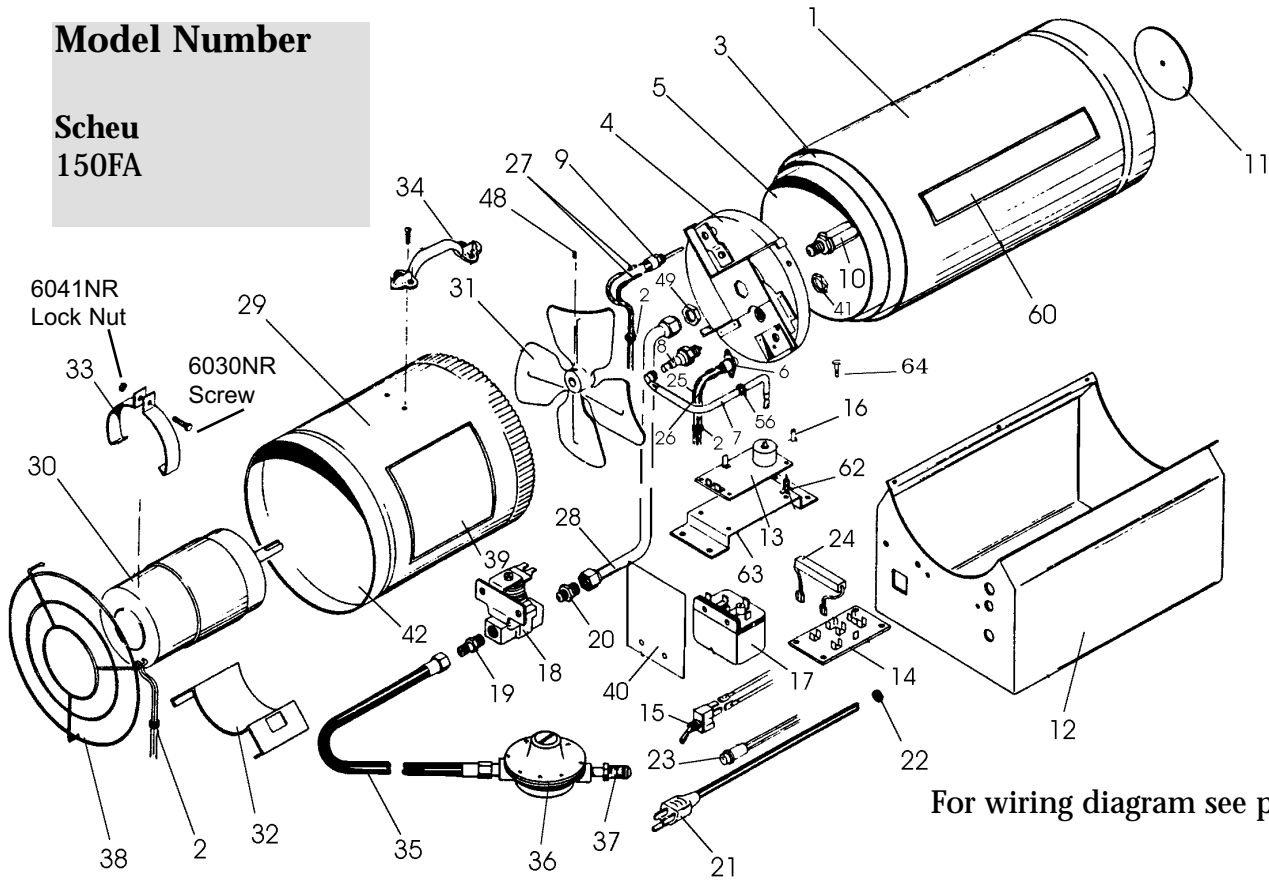


# 150,000 BTU Forced Air Scheu Propane Heater

## Model Number

Scheu  
150FA



For wiring diagram see page 178.

Key No.	Part No.	Description	Key No.	Part No.	Description
1	1078NR	Burner Shell Assembly	34	7095NR	Handle (#7094NR Handle Clip qty. 2)
2	6225NR	Grommet, 5/8" (qty. 4)	35	6152NR	Hose Assembly, 10'
3	3750NR	Middle Liner Assembly		3825NR	3/8" x 25' Hose
4	1080NR	Burner Intake Assembly	36	6255NR	Regulator
5	NLA	Combustion Chamber Assembly	37	6252NR	POL/Excess Flow Check Valve
6	6168NR	High Limit Switch, 240°F	38	3087NR	Grill, Inlet
7	1111NR	Wire Assembly, Spark Plug	39	6423NR	Label, Model Plate w/Instruction
8	1083NR	Spark Plug, 1/8" Gap	40	3129NR	Rain Shield, Plastic
9	6169NR	Flame Sensor	41	3037NR	Nut, Spark Plug, 14mm
10	3122NR	Orifice, w/Retaining Ring	42	6389NR	Label, Wiring Diagram
11	3124NR	Flame Spreader	*	6422NR	Label, On/Off Switch
12	N/A	Control Box Assembly	*	6044NR	Locknut, Switch
13	See Key #17		*	6185NR	Terminal, U Adapter, 1/4"
14	6244NR	Terminal Board	*	1109NR	Wire Assembly, Black, Ignitor
15	6170NR	Toggle Switch	*	1110NR	Wire Assembly, Green, Ignitor
16	6065NR	Spacer	48	6010NR	Set Screw, 1/4-28 Nylock
17	10742NR	Conversion Kit	49	3038NR	Nut, Orifice 3/4-16
18	6100NR	Gas Valve	*	1100NR	Wire Assembly, White, Valve
19	6122NR	Male Connector, 3/8" MPT x 3/8" Flare	*	1101NR	Wire Assembly, Grey, Toggle Switch
20	6123NR	Male Connector, 3/8" MPT x 1/2" Flare	*	1102NR	Wire Assembly, Blue, Valve
21	1036NR	Power Cord Assembly	*	1103NR	Wire Assembly, Purple, Relay
22	6223NR	Power Cord Grommet (qty. 2)	*	1104NR	Wire Assembly, Orange, Relay
23	1089NR	Amber Light Assembly	*	1100NR	Wire Assembly, White, Ignitor
24	1090NR	Resistor Assembly	56	6226NR	Grommet, Spark Plug Wire
25	1226NR	Wire Assembly, Limit Switch, Red	60	6383NR	Label, Universal Trademark
26	1153NR	Wire Assembly, Limit Switch, Black	62	6079NR	Standoff (qty. 4)
27	1044NR	Wire Assembly, Flame Sensor, White (qty. 2)	63	3128NR	Support, Ignitor
28	1099NR	Fuel Line Assembly	*	6369NR	Label, Safety
29	1096NR	Motor Shell Assembly	*	6373NR	Label, Fan Rotation
30	1166NR	5 Wire Motor Assembly, 1/12hp, 3000rpm	*	6374NR	Label, Electrical Grounding
31	6074NR	Fan Blade w/Set Screw	*	KT12I	Thermostat
32	3132NR	Saddle, Motor	*	C100	100 lb. L.P. Bottle
33	3133NR	Strap, Motor (qty. 2)			

Scheu LP 150,000 BTU

PHP